

BVDM DIRECT MOUNT BALL VALVE

Round Body C.61/62/ANSI/DIN/DMIC

*Mounts between a pressure/inlet port and the connection flange for a low-profile, localized shutoff
Models for 3000 & 6000 PSI ~ Sizes from ½" to 6"*

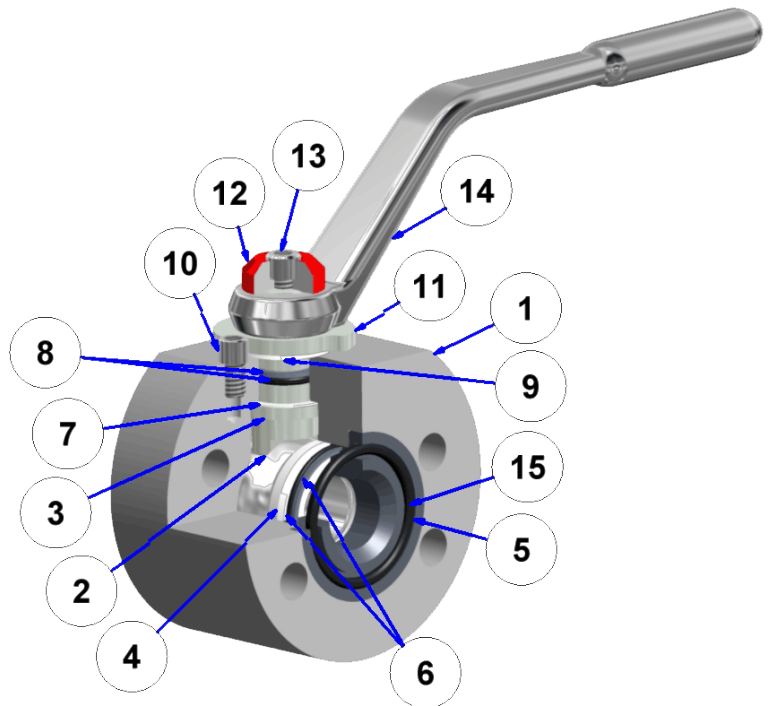


DMIC **BVDM** is the most compact and lowest cost choice when an SAE 4-Bolt or Split Flange Connection is desired. Optional stainless steel construction, wide array of sealing & options.

- **Exclusive DMIC Spindle-Glide Design** features low torque and the high duty cycle durability that differentiates DMIC from ordinary valves
- **Delrin Ball Seals** and Buna-N standard elastomer seals, with all DMIC sealing options available for wide fluid compatibility range
- **Large ball bore** reduces pressure drop; all Stainless Steel construction optional, with Buyer's choice of sealing

Service Parts BOM

BVDM	SERVICE PARTS BOM	
Index	Qty	Description
1	1	Valve Body
2	1	Ball
3	1	Spindle
4	2	Ball Seal
5	1	End Connection
6	1	End Connection O-Ring
7	1	Internal Thrust Washer
8	1	Spindle O-Ring
9	1	External Glide Washer
10	1	Stop Pin
11	1	Stop Washer
12	1	Color Code Cap
13	1	Top Cap Screw
14	1	Handle
15	1	Face O-Ring

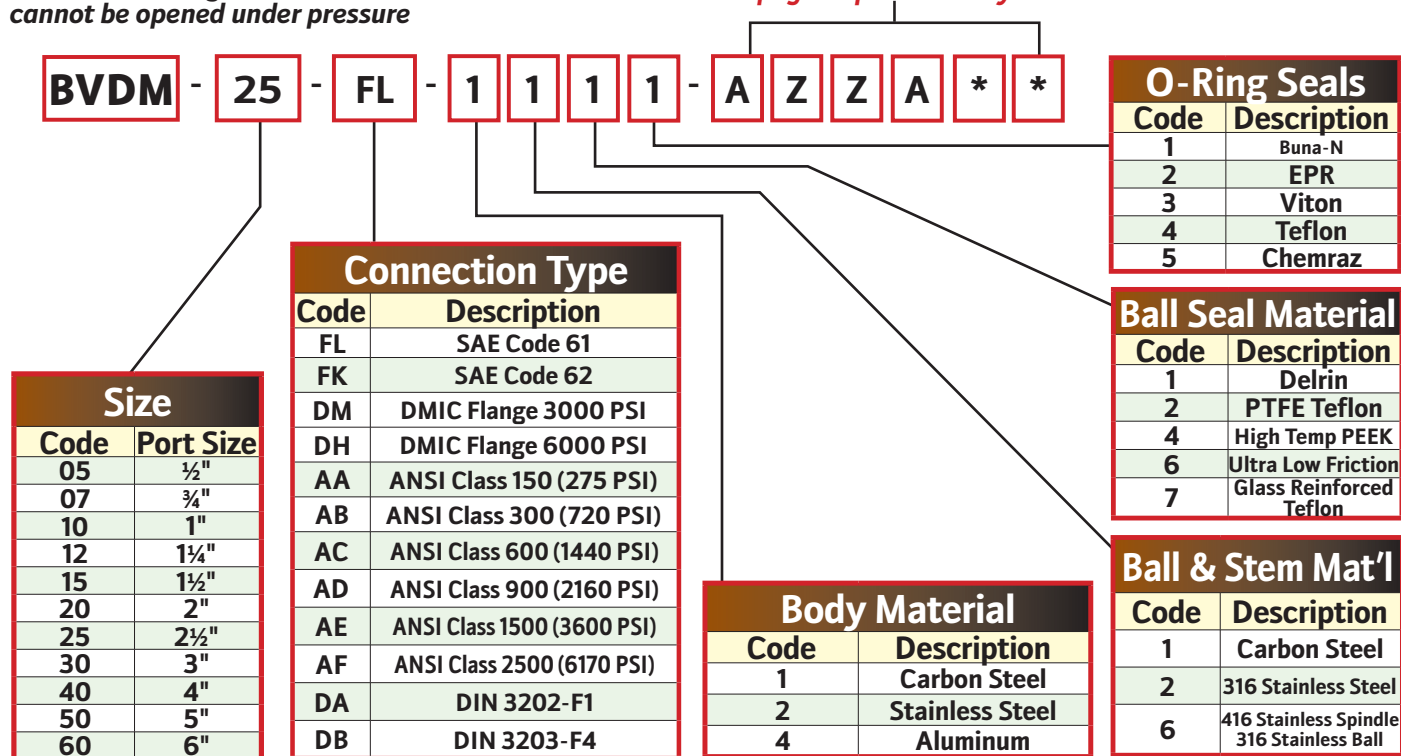


BVDM DIRECT MOUNT BALL VALVE

Ordering Codes Summary

Note: Valves larger than 2" cannot be opened under pressure

See page 14 for accessory codes



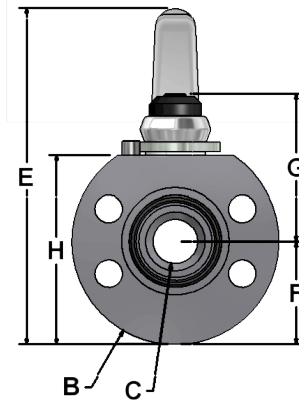
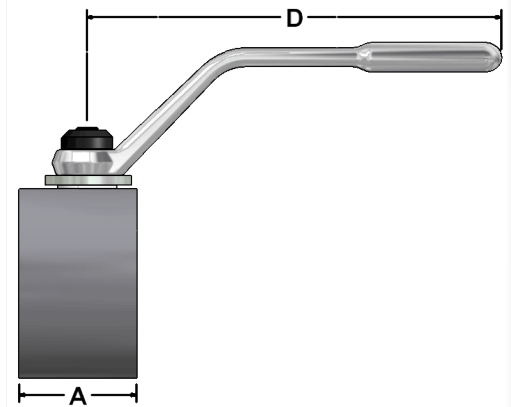
Note: Changes from Standard Materials may result in changes to temperature and/or pressure rating.

Due to our policy of continual product improvement, the specifications in this catalog may change without notice. When designing by spec, please request a certified print.



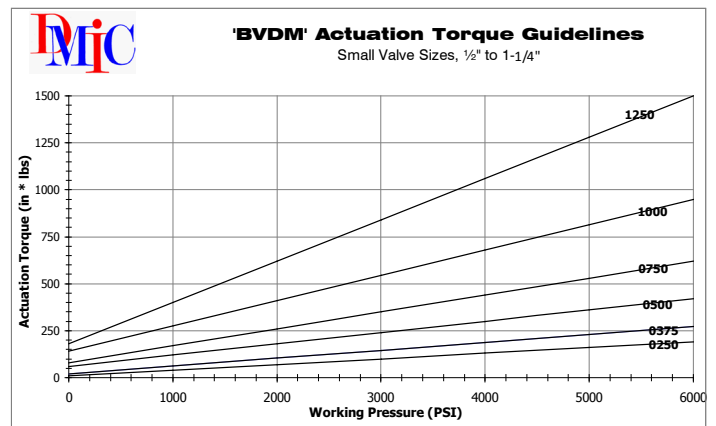
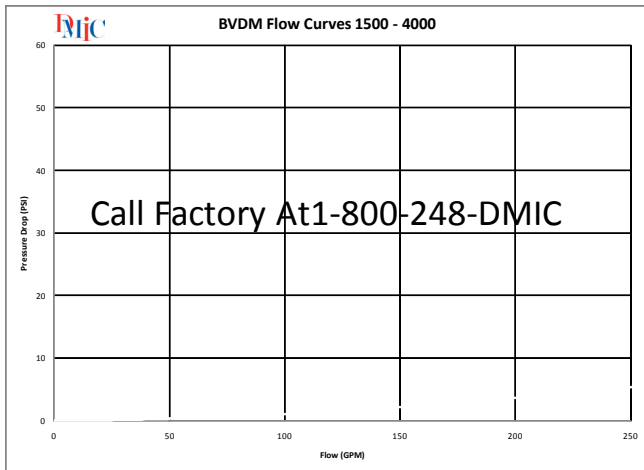
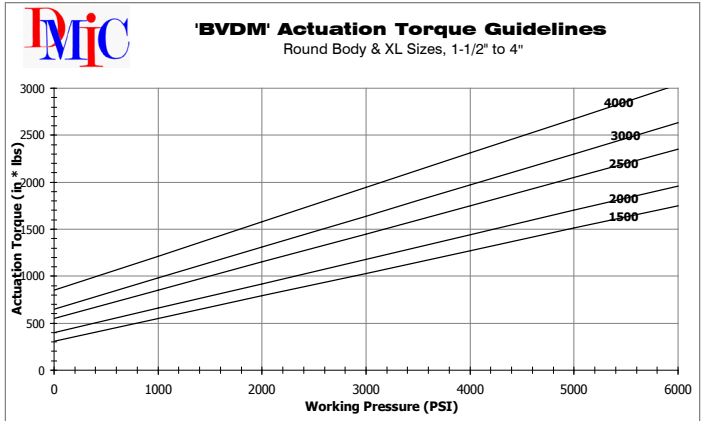
BVDM DIRECT MOUNT BALL VALVE

BVDM	Port Size	PSI Rating	Dimensions (inches)								
			A	ØB	ØC	D	E	F	G	H	O-Ring
			Valve Length	Valve Width (Dia)	Valve Bore (Dia)	Handle Length	Overall Height	Port Ctr to Bottom	Port Ctr to Top	Valve Height	
BVDM - **FL Code 61 Direct Mount, Block Body, 3000 PSI											
BVDM-05FL****	½"	3000 PSI	1.50	2.50	0.50	4.50	3.92	1.25	1.83	2.30	2-210
BVDM-07FL****	¾"		2.00	3.25	0.75	7.00	5.37	1.63	2.31	2.90	2-214
BVDM-10FL****	1"		2.00	3.25	0.75	7.00	5.37	1.63	2.31	2.90	2-219
BVDM-12FL****	1¼"		2.25	3.50	0.94	7.00	5.58	1.75	2.34	3.10	2-222
BVDM-15FL****	1½"		2.75	4.25	1.25	9.86	7.11	2.13	3.11	3.91	2-225
BVDM-20FL****	2"		3.50	4.50	1.50	9.86	7.41	2.25	3.29	4.22	2-228
BVDM-25FL****	2½"		4.00	5.00	1.88	9.86	7.96	2.50	3.59	4.72	2-232
BVDM - **FK Code 62 Direct Mount, Block Body, 6000 PSI											
BVDM-05FK****	½"	6000 PSI	1.50	2.50	0.50	4.50	3.92	1.25	1.83	2.30	2-210
BVDM-07FK****	¾"		2.00	3.25	0.75	7.00	5.37	1.63	2.31	2.90	2-214
BVDM-10FK****	1"		2.00	3.50	0.75	7.00	5.67	1.75	2.50	3.20	2-219
BVDM-12FK****	1¼"		2.25	4.00	0.94	7.00	6.10	2.00	2.66	3.62	2-222
BVDM-15FK****	1½"		2.75	5.00	1.25	9.86	7.94	2.50	3.51	4.75	2-225
BVDM-20FK****	2"		3.50	5.50	1.50	9.86	8.23	2.75	3.61	5.04	2-228
BVDM-25FK****	2½"		CALL FACTORY								



BVDM DIRECT MOUNT BALL VALVE

Flow Characteristic and Actuation Torque Curves



Due to our policy of continual product improvement, the specifications in this catalog may change without notice. When designing by spec, please request a certified print.

