

BVQ/BVQG HIGH PRESSURE/ HIGH TEMP 6000 PSI

Raises every standard: thermal, quality, durability ; -20°F to 400°F
High Quality Stainless Steel Fluid & Gas Valves ½" to 6"



BVQ

- All 316 Stainless steel construction standard.
- Standard sizes range from ½" - 6" bore; Call for sizes greater than 2" bore.
- Designed for demanding applications where high performance & quality are required
- 6,000 PSI with generous design factor to eliminate damage due to pressure spikes.
- Wide variety of bolted end connections ideal for heavy industrial applications.
- Isolated spindle allows for use of 316 spindle without metal-to-metal contact; ideal for applications requiring an actuator.
- Standard High Temperature Peek ball seals & Viton seals. Other materials available for full fluid compatibility range.

BVQG ~ Gas Applications

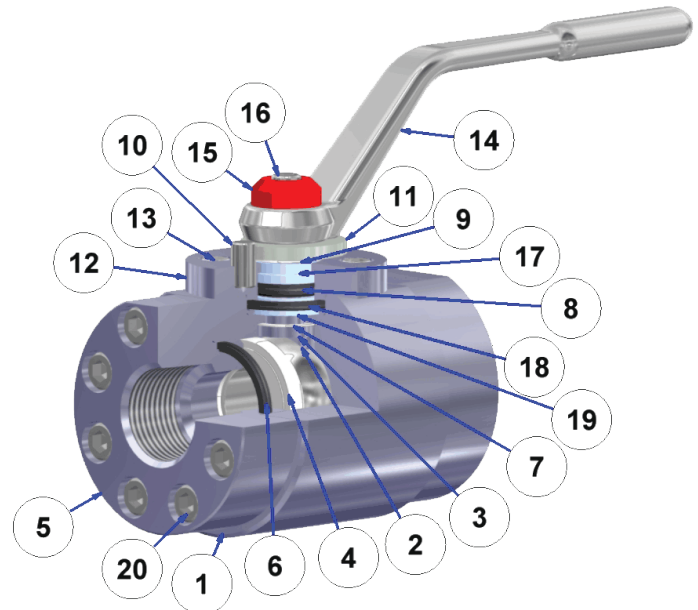
- Improved ball seals specially designed for gas applications.
- Special material coatings improves life expectancy in dry environment.

** Please note: Large valves may require pressure balance option to be opened under pressure.*

Service Parts BOM

BVQ/G		SERVICE PARTS BOM
Index	Qty	Description
1	1	VALVE BODY
2	1	BALL
3	1	SPINDLE
4	2	BALL SEAL
5	2	END CONNECTION
6	2	END CONNECTION O-RINGS
7	1	INTERNAL THRUST WASHER
8	1	SPINDLE O-RING
9	1	EXTERNAL GLIDE WASHER
10	1	STOP PIN
11	1	STOP WASHER
12	1	TOP CAP
13	*	TOP CAP MOUNTING BOLTS
14	1	HANDLE
15	1	COLOR CODED TOP CAP
16	1	COLOR CODED TOP CAP BOLT
17	1	UPPER SPINDLE BUSHING
18	1	TOP CAP O-RINGS
19	1	LOWER SPINDLE BUSHING
20	*	END CONNECTION MOUNTING BOLTS

BVQ shown, BVQG has O-Ring behind each seal
* Depends on size



BVQ/BVQG HIGH PRESSURE/ HIGH TEMP 6000 PSI

Ordering Codes Summary

Size Codes	
Code	Port Size
0500	½"
0750	¾"
1000	1"
1250	1 ¼"
1500	1 ½"
2000	2"
2500+	2 ½" - Call

BVQ
or
BVQG

**** S - 2 2 4 3

See page 14 for accessory codes

* * * * *

Connection Types	
Imperial Threads	
Code	Description
S	SAE ORB
N	NPT
Metric Threads	
Code	Description
B	BSPP
ISO Threads	
Code	Description
IU	ISO6149
Welded	
W*	Socket Weld
WB*	Butt Weld
Flanged	
A*	ANSI Flanges
F*	SAE 4-Bolt UNC
G*	SAE 4-Bolt Metric
S*	SAE Split

O-Rings	
Code	Description
1	Buna-N
2	EPR
3	Viton
5	Chemraz
6	Kalrez
7	Buna-3716 (Low Temp)

Seals, Bushings, Washers	
Code	Description
1	Delrin
4	High Temp Peek
6	Low Friction

Ball & Spindle	
Code	Description
1	Carbon Steel - ASTM A108
2	Stainless Steel - 316

Body & End Connections	
Code	Description
1	Carbon Steel - ASTM A108
2	Stainless Steel - 316

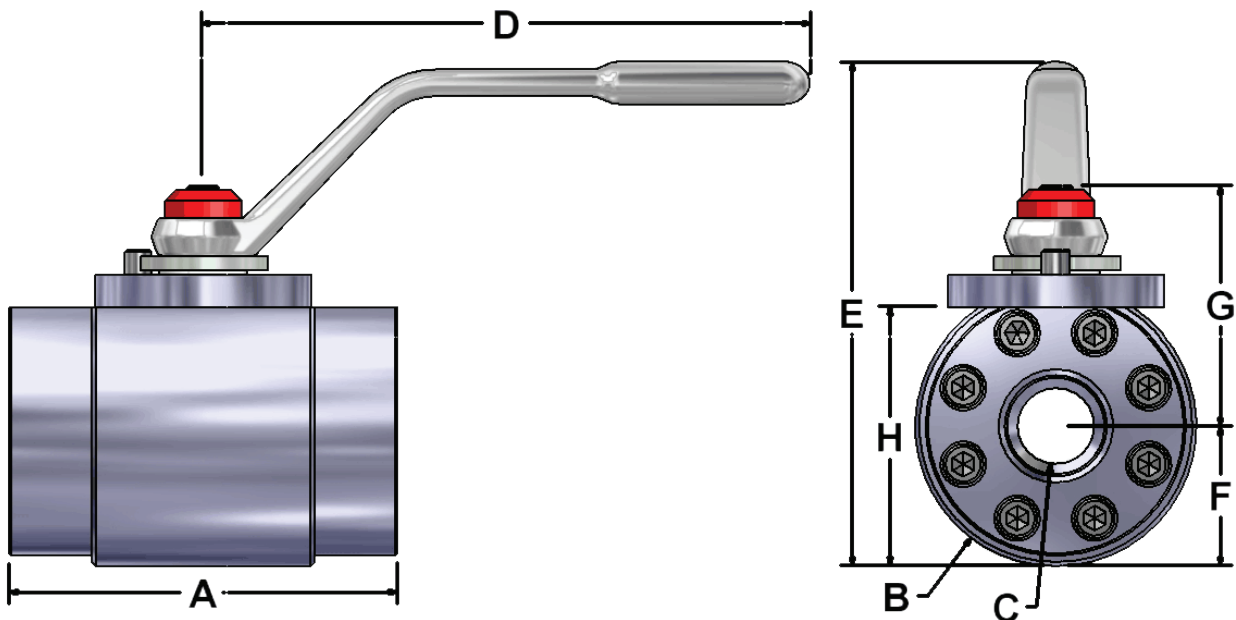
Note: Changes to Sealing Materials may result in changes to temperature and/or pressure rating.

Due to our policy of continual product improvement, the specifications in this catalog may change without notice. When designing by spec, please request a certified print.



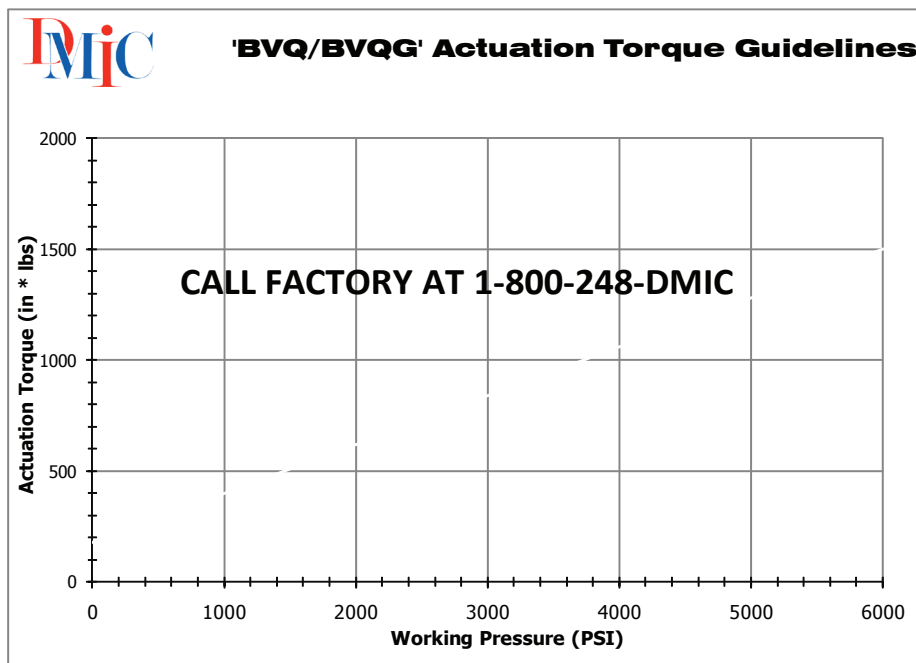
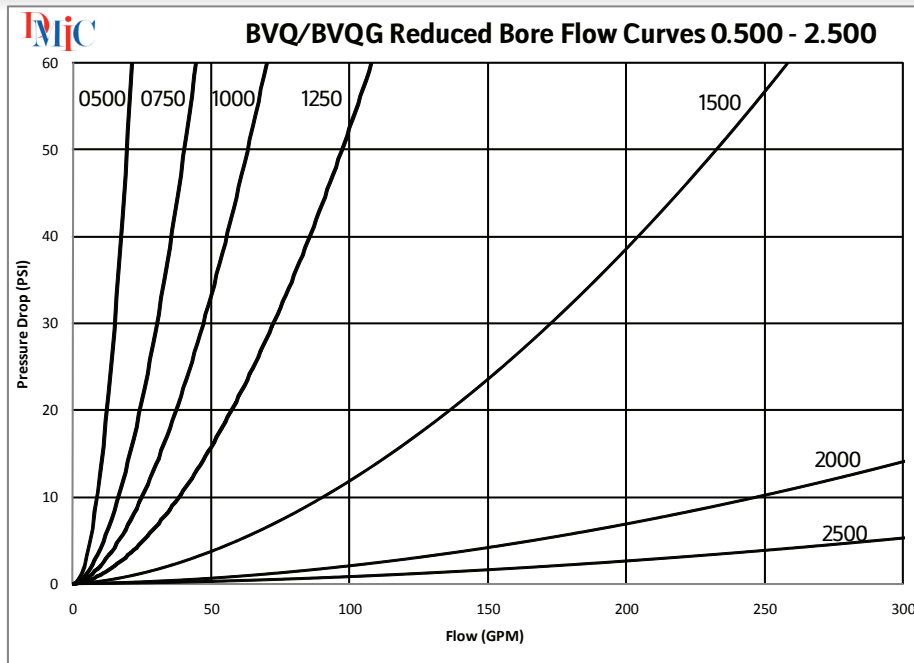
BVQ/BVQG HIGH PRESSURE/ HIGH TEMP 6000 PSI

BVQ/ BVQG	Port Size	Rated Pressure PSI Bar	Dimensions in/mm						
			A Length	B Body Diameter	ØC Bore	D Handle Length	E Height	F Bottom to Center	G Center to Cap
For Threaded Connection Type									
BVQ-0500****	½"	6000 413.7	3.11 78.9	2.25 57.2	0.38 9.5	4.50 114.3	3.90 99.0	1.13 28.6	1.91 48.5
BVQ-0750****	¾"	6000 413.7	4.35 110.4	2.75 69.9	0.63 15.9	7.00 177.8	5.33 135.4	1.22 31.0	2.62 66.5
BVQ-1000****	1"	6000 413.7	4.49 114.0	3.25 82.6	0.88 22.2	7.00 177.8	5.84 148.3	1.63 41.3	2.72 69.1
BVQ-1250****	1¼"	6000 413.7	5.02 127.5	3.63 92.2	1.10 27.9	9.86 250.4	7.24 183.9	1.88 47.8	3.43 87.1
BVQ-1500****	1½"	6000 413.7	5.35 135.8	4.25 108.0	1.31 33.3	9.86 250.5	7.71 195.8	2.13 54.0	3.65 92.7
BVQ-2000****	2"	6000 413.7	6.58 167.1	5.00 127.0	1.75 44.5	9.86 250.4	8.61 218.7	2.50 63.5	4.16 105.7



BVQ/BVQG HIGH PRESSURE/ HIGH TEMP 6000 PSI

Flow Characteristic and Actuation Torque Curves



Due to our policy of continual product improvement, the specifications in this catalog may change without notice. When designing by spec, please request a certified print.

