

BVSS DUAL PATTERN SAE 4-BOLT BV, C.61 & 62

Replaces expensive and long-delivery foreign valves
6000 PSI ~ Sizes from ½" to 2"



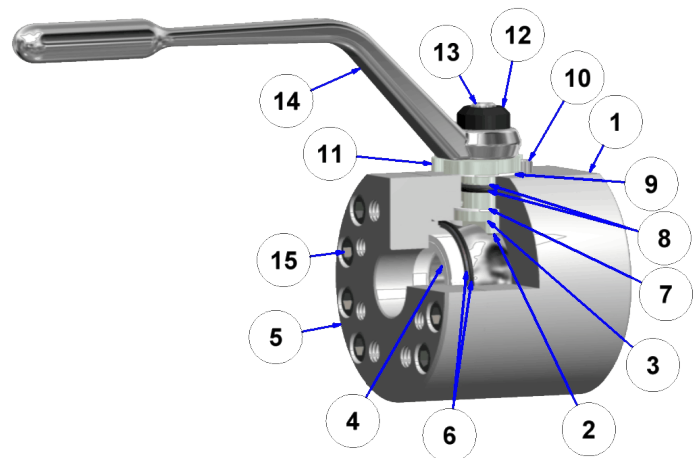
DMIC **BVSS** economically covers all the bases in SAE 4-Bolt C.61 & 62 Flange connections. This is the valve to stock if you can only keep one model, and it can bridge dissimilar flange standards.

- **Spindle-Glide Design** features low torque, high duty cycle durability
- **Delrin Ball Seals** and Buna-N standard elastomer seals, with all DMIC sealing options available for wide fluid and temperature compatibility range
- **Unrestricted bore ball** reduces pressure drop
- **Available in Stainless Steel - Fast Delivery**

Service Parts BOM

BVSS	SERVICE PARTS BOM	
Index	Qty	Description
1	1	Valve Body
2	1	Ball
3	1	Spindle
4	2	Ball Seal
5	1	End Connection
6	1	End Connection O-Rings
7	1	Internal Thrust Washer
8	1	Spindle O-Rings
9	1	External Glide Washer
10	1	Stop Pin
11	1	Stop Washer
12	1	Color Code Cap
13	1	Top Cap Screw
14	1	Handle
15	*	End Connection Bolts

* - Quantity depends on size and combination of body



BVSS DUAL PATTERN SAE 4-BOLT BV, C.61 & 62

Fixed SAE/ANSI/DIN/DM Flange Ball Valve Order Codes

GROUP I: LOCKING HANDLES & LIMIT SWITCH BRACKETS

Z.....Zero Accessory ("none")
A.....Locking Handle
B.....Security Locking Handle
C/D...Limit Sw Brkt, Single/Dual
E/F...Locking LimSw Brkt, Single/Dual
G/H...Security Locking LSB, Single/Dual
I/J.....Limit Sw Brkt, Single/Dual w/Switch
K/L...Locking LSB, Single/Dual w/Switch
M/N...Security LLSB, Single/Dual w/Switch

GROUP IV: HANDLE TYPE

A: Handle, Crank, Steel
Standard with BVSS

*See page 14 for
accessory codes*

GROUP II: MOUNTING & PREP

Z: Zero Accessory ("none")
B: Bottom Mounting Holes
G: Panel Mounting Holes

GROUP III: ACTUATION

Please consult factory for a customized actuated Ball Valve quotation. Codes A-L for Double Acting, codes M-X for Spring Return

**GROUP V:
MOUNTING BRKTS**
Call Factory for application assistance

**GROUP VI:
SURFACE FINISH**
Call Factory for available surface

Valve Series	
Code	Port Size
BVSS	SAE Dual C.61/62

Size	
Code	Port Size
05	½"
07	¾"
10	1"
12	1¼"
15	1½"
20	2"

Connection Type	
Code	Description
FK	Dual SAE C.61/62 (Standard on BVSS)

Body Material	
Code	Description
1	Carbon Steel
2	Stainless Steel

Ball & Stem Mat'l	
Code	Description
1	Carbon Steel
2	Stainless Steel
6	416 Stainless Spindle 316 Stainless Ball

Ball Seal Material	
Code	Description
1	Delrin
2	PTFE Teflon
4	High Temp PEEK
6	Ultra Low Friction
7	Glass Reinforced Teflon

O-Ring Seals	
Code	Description
1	Buna-N
2	EPR
3	Viton
4	Peek
5	Chemraz

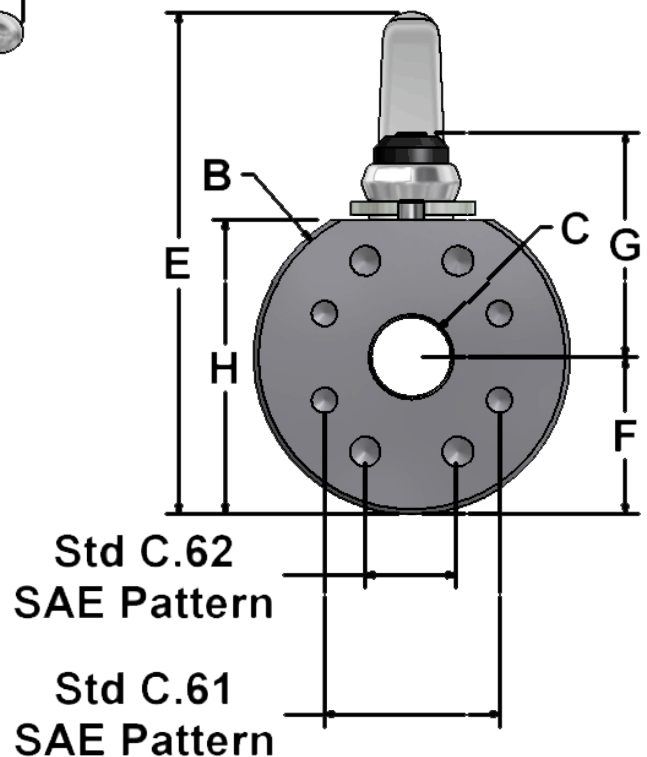
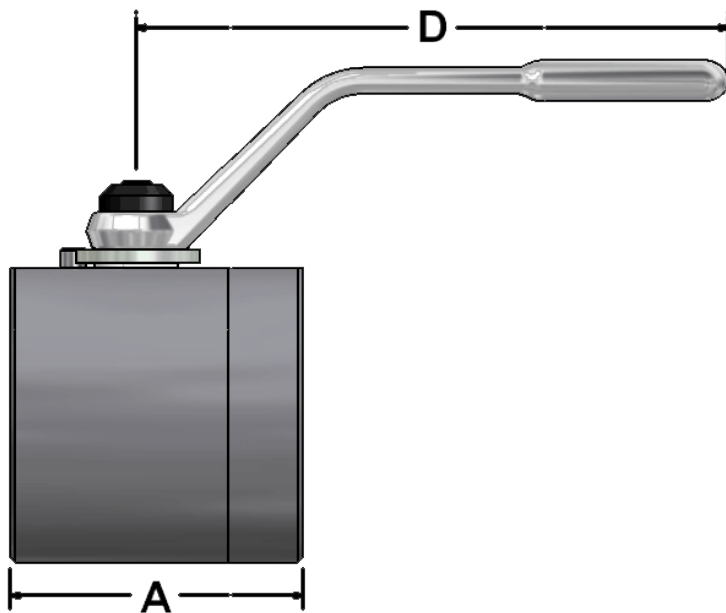
BVSS - 20 - FK - 1 1 1 1 - A Z Z A * *

Note: Changes from Standard Materials may result in changes to temperature and/or pressure rating.
Due to our policy of continual product improvement, the specifications in this catalog may change without notice. When designing by spec, please request a certified print.



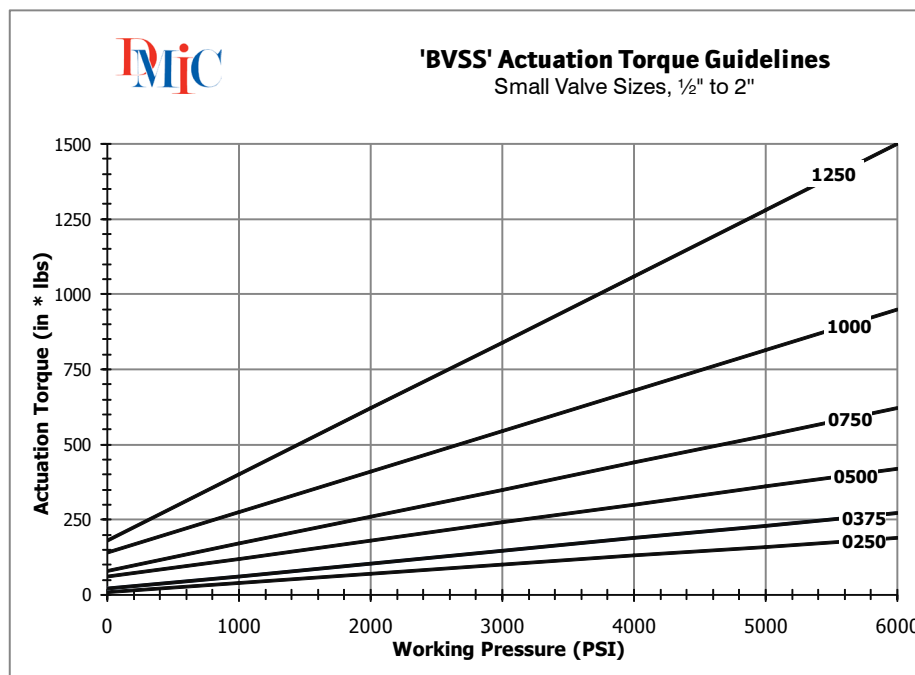
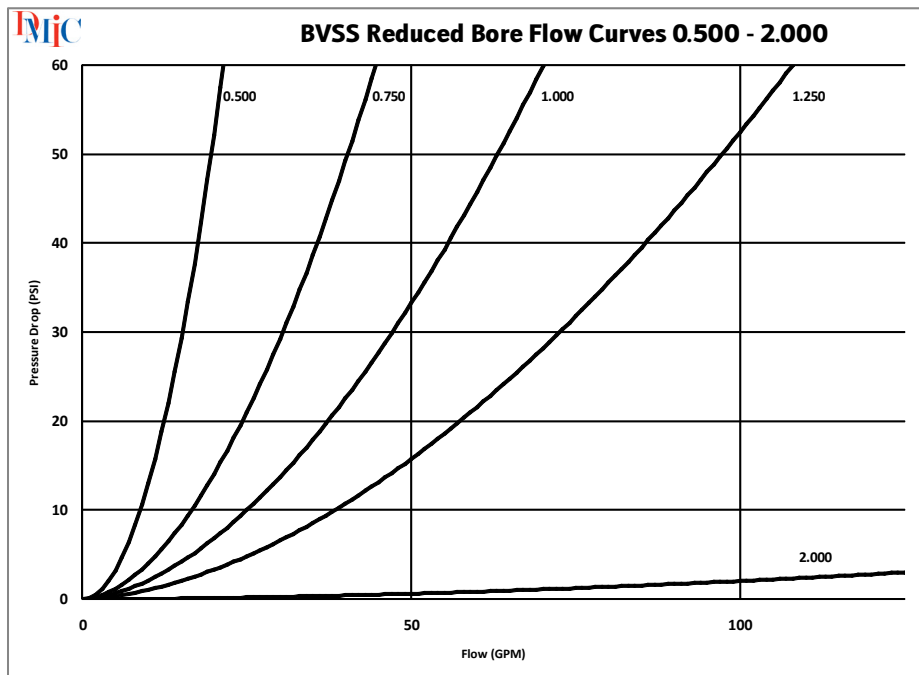
BVSS DUAL PATTERN SAE 4-BOLT BV, C.61 & 62

BVSS	Dimensions (inches)										
	Port Size	PSI Rating	A Valve Length	B Valve Width	ØC Valve Bore	D Valve Height	E Overall Height	F Bot to Port Ctr	G Port Ctr to Top	H Handle Length	J Overall Length
BVSS-07FK****	¾"	C.62 6000	3.15	3.50	0.75	3.26	5.71	1.75	1.51	7.00	8.29
BVSS-10FK****	1"		3.46	3.75	0.95	3.48	5.93	1.88	1.61	7.00	8.41
BVSS-12FK****	1¼"		3.94	4.44	1.25	4.18	7.30	2.22	1.96	10.00	11.83
BVSS-15FK****	1½"		4.33	5.00	1.50	4.72	7.83	2.50	2.22	10.00	11.90
BVSS-20FK****	2"		4.57	6.00	1.88	5.50	8.61	3.00	2.50	10.00	11.83



BVSS DUAL PATTERN SAE 4-BOLT BV, C.61 & 62

Flow Characteristic and Actuation Torque Curves



Due to our policy of continual product improvement, the specifications in this catalog may change without notice. When designing by spec, please request a certified print.

