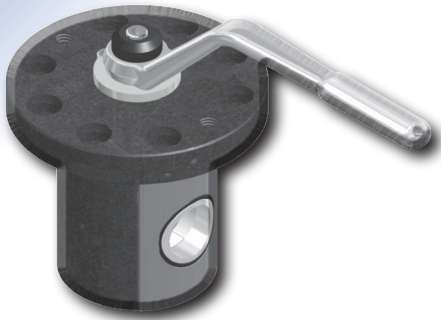


SV2C & SV3C

2-Way and 3-Way Intramanifold Valves



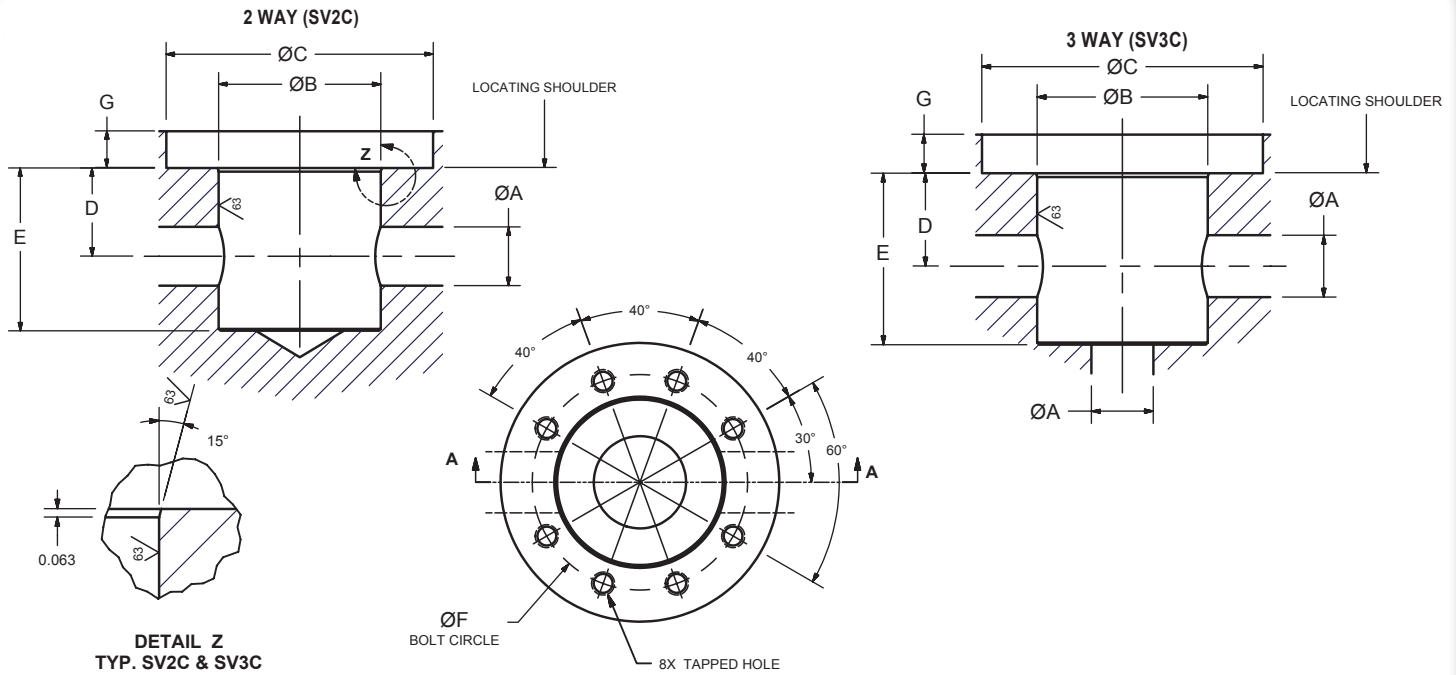
- Install this DMIC high quality valve directly into your existing or production manifold using an easy-to-machine blind hole cavity.
- DMIC's ingenious design is easy to install, eliminating the possibility of cutting o-rings on cross holes.
- Completely compatible with DMIC's full range of accessories.
- Available in sizes ranging from ½" through 2" with pressure ratings up to 6000 PSI
- Construction available in carbon or stainless steel with full line of seal and elastomer materials.
- Larger sizes available upon request.

We offer ½" through 2" but give DMIC Sales a call for any size larger!

| Insert Valves | Port Size | PSI Rating | Cavity Dimensions (inches) | | | | | | | |
|---------------|-----------|-------------|----------------------------|------------------------------------|--|---|-------------------------------------|-------------------------|----------------------------|------------------------|
| | | | A | B | C | D | E | F | G | - |
| | | | Valve Bore (±0.010) | Cavity Bore (+0.003 /-0.000) | Shoulder Diameter (+0.015 /-0.000) | Cntr of Bore to Btm of Shoulder (±0.005) | Cavity Depth (+0.000 /-0.015) | Bolt Circle (±0.010) | Shoulder Depth (±0.005) | Mounting Bolts (8x) |
| SV2C-0500**** | ½" | 6000 PSI | 0.500 | 2.003 | 3.560 | 1.375 | 2.390 | 2.750 | 0.625 | 3/8-16UNC |
| SV3C-0500**** | | | | | | | | | | |
| SV2C-0750**** | ¾" | | 0.750 | 2.503 | 4.060 | 1.786 | 3.051 | 3.125 | 0.625 | 3/8-16UNC |
| SV3C-0750**** | | | | | | | | | | |
| SV2C-1000**** | 1" | | 1.000 | 2.753 | 4.560 | 1.875 | 3.265 | 3.500 | 0.625 | 3/8-16UNC |
| SV3C-1000**** | | | | | | | | | | |
| SV2C-1250**** | 1¼" | | 1.250 | 3.253 | 5.060 | 2.000 | 3.515 | 4.125 | 0.875 | ½-13UNC |
| SV3C-1250**** | | | | | | | | | | |
| SV2C-1500**** | 1½" | | 1.500 | 4.003 | 7.060 | 2.500 | 4.890 | 5.500 | 1.125 | 5/8-11UNC |
| SV3C-1500**** | | | | | | | | | | |
| SV2C-2000**** | 2" | 2.000 | 5.753 | 8.560 | 2.915 | 5.055 | 7.000 | 1.375 | ¾-10UNC | |
| SV3C-2000**** | | | | | | | | | | |

Due to our policy of continual product improvement, the specifications in this catalog may change without notice. When designing by spec, please request a certified print.





Intramanifold Valve Order Codes

See page 14 for accessory codes

SV2C
or
SV3C

**** A - 1 1 1 1 - * * * * *

| Size Codes | |
|------------|-----------|
| Code | Port Size |
| 0500 | ½" |
| 0750 | ¾" |
| 1000 | 1" |
| 1250 | 1¼" |
| 1500 | 1½" |
| 2000 | 2" |

| Ball Pattern | |
|--------------|-----------------------------------|
| | SV2C |
| | Not Needed |
| | SV3C |
| A | 90° L-Bore Diverter, Port Overlap |
| B | L-Bore 180° Action |
| C | T-Bore 90° Action |

| O-Ring Material | |
|-----------------|----------------------|
| Code | Description |
| 1 | Buna-N |
| 2 | EPR |
| 3 | Viton |
| 4 | Teflon |
| 5 | Chemraz |
| 6 | Kalraz |
| 7 | Buna-3716 (Low Temp) |

| Ball Seal Material | |
|--------------------|--------------------------|
| Code | Description |
| 1 | Delrin |
| 2 | PTFE Teflon |
| 4 | High Temp Peek |
| 6 | Delrin AF (Low Friction) |
| 7 | Glass Reinforced Teflon |

| Ball & Spindle Mat'l | |
|----------------------|----------------------|
| Code | Description |
| 1 | Carbon Steel |
| 2 | 316 Stainless Steel |
| 6 | 416 Spindle 316 Ball |

| Body Material | |
|---------------|---------------------|
| Code | Description |
| 1 | Carbon Steel |
| 2 | 316 Stainless Steel |

Note: Changes to Standard Materials may result in changes to temperature and/or pressure rating.

Due to our policy of continual product improvement, the specifications in this catalog may change without notice. When designing by spec, please request a certified print.

