

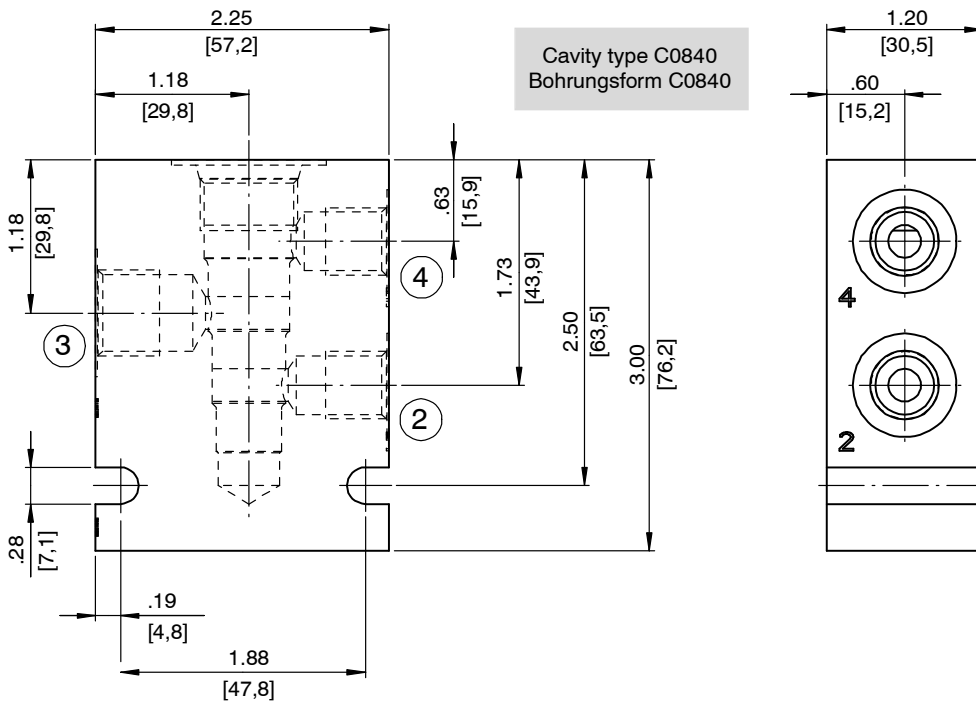
Line-Mounting Body, Size 8

Type: 8 Series - 4-Way - Flow Divider

1 Technical data

Ordering code	Description	Material	Maximum operating pressure	Weight	Port 2	Port 3	Port 4
03BA	30425	Aluminium	3000 psi [210 bar]	.650 lbs [0.30 kg]	G 1/4" -19 BSPP	G 3/8" -19 BSPP	G 1/4" -19 BSPP
03BS	30428	Steel	5000 psi [350 bar]	1.894 lbs [0.85 kg]	G 1/4" -19 BSPP	G 3/8" -19 BSPP	G 1/4" -19 BSPP
08TA	30426	Aluminium	3000 psi [210 bar]	.633 lbs [0.30 kg]	SAE-6	SAE-8	SAE-6
08TS	30429	Steel	5000 psi [350 bar]	1.843 lbs [0.85 kg]	SAE-6	SAE-8	SAE-6

2 Dimensions & sectional view



3 Related data sheets

Reference	(Old no.)	Description
520-P-000410	(0-041.0)	Cavity type C0840

info.el@bucherhydraulics.com

www.bucherhydraulics.com/commoncavity

© 2015 by Bucher Hydraulics, Inc., 2545 Northwest Parkway, Elgin, Illinois 60124, USA

All rights reserved.

Data is provided for the purpose of product description only, and must not be construed as warranted characteristics in the legal sense. The information does not relieve users from the duty of conducting their own evaluations and tests. Because the products are subject to continual improvement, we reserve the right to amend the product specifications contained in this catalogue.

Classification: 430.395.-.-.

Reference: 520-P-000412-EN-01