

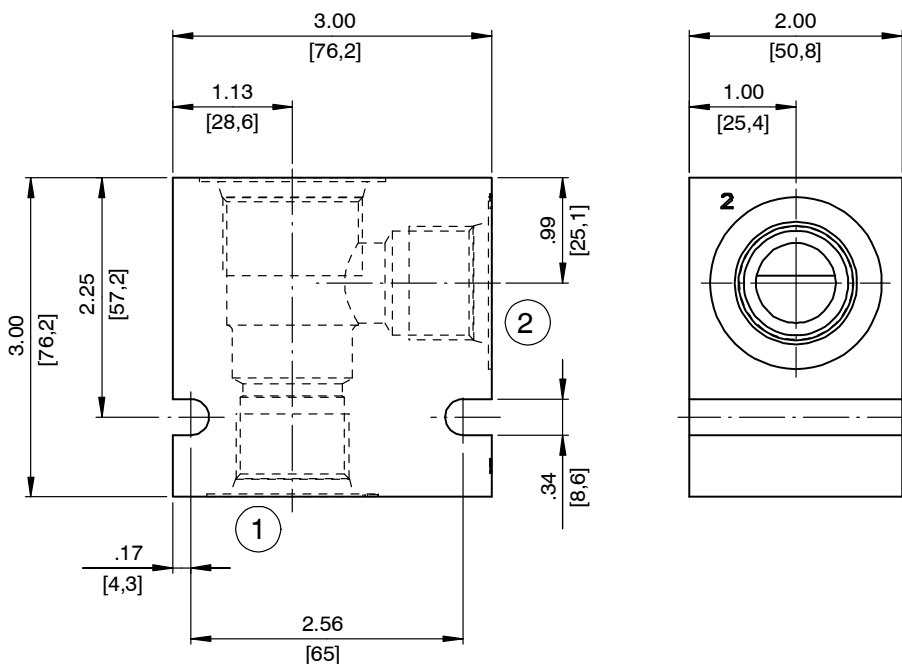
Line-Mounting Body, Size 16

Type: 16 Series - 2-Way

1 Technical data

Ordering code	Description	Material	Maximum operating pressure	Weight	Port 1	Port 2
06BA	30194	Aluminum	3000 psi [210 bar]	1.327 lbs [0.60 kg]	G 3/4" -14 BSPP	G 3/4" -14 BSPP
06BS	30200	Steel	5000 psi [350 bar]	3.867 lbs [1.75 kg]	G 3/4" -14 BSPP	G 3/4" -14 BSPP
08BA	30195	Aluminum	3000 psi [210 bar]	1.232 lbs [0.56 kg]	G 1" -11 BSPP	G 1" -11 BSPP
08BS	30201	Steel	5000 psi [350 bar]	3.589 lbs [1.63 kg]	G 1" -11 BSPP	G 1" -11 BSPP
12TA	30196	Aluminum	3000 psi [210 bar]	1.308 lbs [0.59 kg]	SAE-12	SAE-12
12TS	30202	Steel	5000 psi [350 bar]	3.810 lbs [1.73 kg]	SAE-12	SAE-12
16TA	30197	Aluminum	3000 psi [210 bar]	1.218 lbs [0.55 kg]	SAE-16	SAE-16
16TS	30203	Steel	5000 psi [350 bar]	3.548 lbs [1.61 kg]	SAE-16	SAE-16

2 Dimensions & sectional view



Cavity type C1620
Bohrungsform C1620

3 Related data sheets

Reference	(Old no.)	Description
520-P-000140	(0-014.0)	Cavity type C1620

info.el@bucherhydraulics.com

www.bucherhydraulics.com/commoncavity

© 2015 by Bucher Hydraulics, Inc., 2545 Northwest Parkway, Elgin, Illinois 60124, USA

All rights reserved.

Data is provided for the purpose of product description only, and must not be construed as warranted characteristics in the legal sense. The information does not relieve users from the duty of conducting their own evaluations and tests. Because the products are subject to continual improvement, we reserve the right to amend the product specifications contained in this catalogue.

Classification: 430.395.-.-.-.