

# Standard Series Clamps – Ordering Example



**\*\*A3 – 21.3 – A**

**CLAMP SET MATERIAL**  
Polypropylene (Green) A

**GROUP SIZE**  
Refer to Chart on Page 78

**CLAMP SET ID**  
Refer to Chart on Page 78

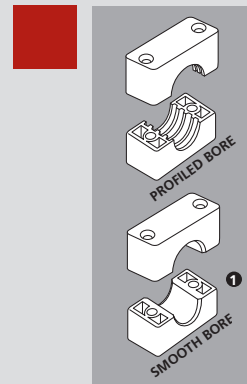
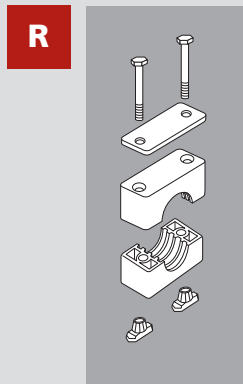
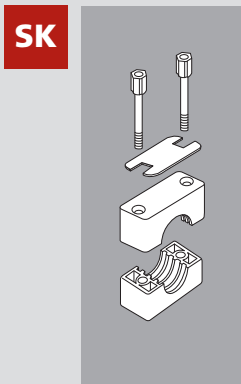
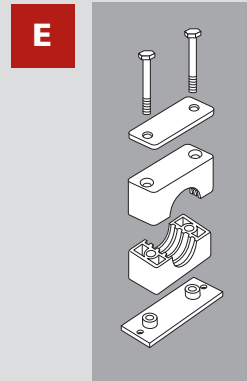
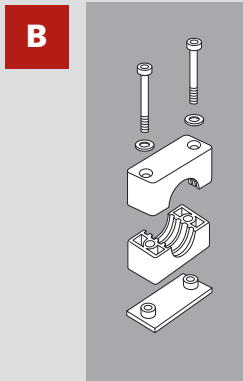
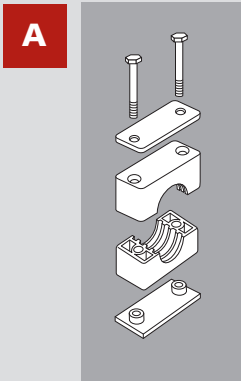
**DESCRIPTION**

- A** Clamp with Weld Plate, Cover Plate and Bolts
- B** Clamp with Weld Plate, No Cover Plate and Bolts
- SK** Clamp with Stacking Kit
- E** Clamp with Elongated Weld Plate, Cover Plate and Bolts
- R** Clamp with Rail Nuts, Cover Plate and Bolts
- Clamp Set Only**

**CLAMP SET BORE**

Pipe and tube clamp sizes have a profiled bore. For hose and special applications add "H" to the part number for a smooth bore.

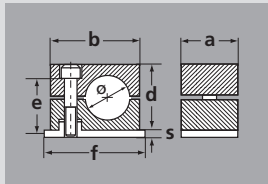
**\*\*"S" PREFIX = STAINLESS STEEL HARDWARE**



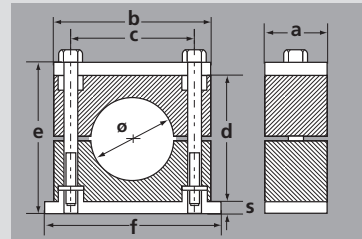
❶ Not available in all sizes. Contact PCI for availability.  
NOTE: Certain sizes available in black. Contact PCI for details.

# Standard Series – Sizes and Dimensions

Group 0



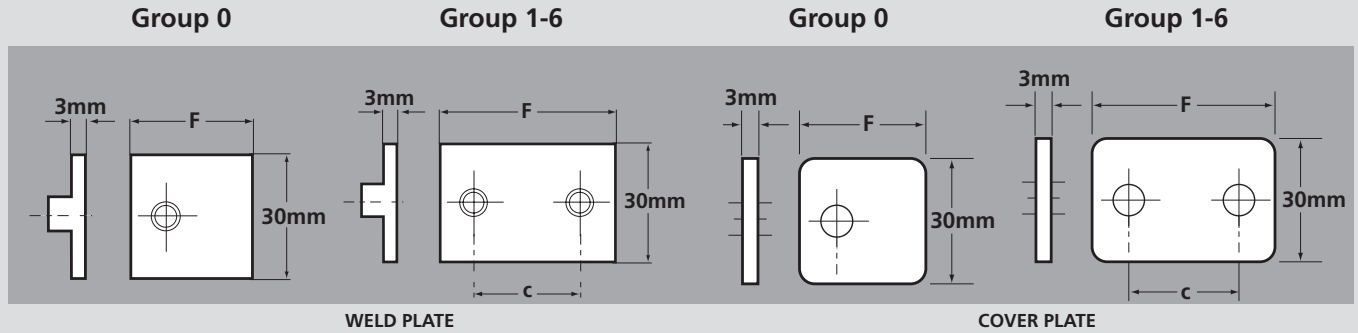
Group 1-6



PCI		DIN		DIAMETER			DIMENSIONS							BAG/QTY.
GROUP	GROUP	Ø	PIPE NOMINAL BORE	TUBE O.D.	COMPLETE ASSEMBLY PART #	A	B	C	D	F	S	E	BAG QTY.	
0	0	6	0.24		A0-06-A									
		8	0.31		A0-08-A	30mm	28mm	-	27mm	32mm	3mm	33mm		
		10	0.39	1/8"	A0-10-A	1.18"	1.10"	-	1.06"	1.26"	0.12"	1.30"	50	
		12	0.47		A0-12-A									
1	1	6	0.24		A1-06-A									
		6.4	0.25		A1-6.4-A									
		8	0.31		A1-08-A	30mm	34mm	20mm	27mm	42mm	3mm	33mm		
		9.5	0.37		A1-9.5-A	1.18"	1.34"	0.79"	1.06"	1.65"	0.12"	1.30"	50	
		10	0.39	1/8"	A1-10-A									
		12	0.47		A1-12-A									
2	2	12.7	0.50		A2-12.7-A									
		13.5	0.53	1/4"	A2-13.5-A									
		14	0.55		A2-14-A									
		15	0.59		A2-15-A	30mm	40mm	26mm	33mm	48mm	3mm	39mm		
		16	0.63		A2-16-A	1.18"	1.57"	1.02"	1.30"	1.89"	0.12"	1.54"	50	
		17.2	0.67	3/8"	A2-17.2-A									
		18	0.71		A2-18-A									
		19	0.75		A2-19-A									
3	3	19	0.75		A3-19-A									
		20	0.79		A3-20-A									
		21.3	0.84	1/2"	A3-21.3-A	30mm	45mm	33mm	35mm	55mm	3mm	41mm		
		22	0.87		A3-22-A	1.18"	1.69"	1.30"	1.38"	2.17"	0.12"	1.61"	50	
		25	0.98		A3-25-A									
		25.4	1.00		A3-25.4-A									
4	4	26.9	1.06	3/4"	A4-26.9-A									
		28	1.10		A4-28-A	30mm	57mm	40mm	42mm	62mm	3mm	48mm		
		30	1.18		A4-30-A	1.18"	2.24"	1.57"	1.65"	2.44"	0.12"	1.89"	25	
		32	1.25		A4-32-A									
5	5	32	1.25		A5-32-A									
		33.7	1.33	1"	A5-33.7-A									
		35	1.38		A5-35-A									
		38	1.50		A5-38-A	30mm	68mm	52mm	58mm	74mm	3mm	64mm		
		40	1.57		A5-40-A	1.18"	2.68"	2.05"	2.28"	2.91"	0.12"	2.52"	25	
		42	1.65		A5-42-A									
		42.4	1.67	1 1/4"	A5-42.4-A									
		45	1.77		A5-45-A									
6	6	44.5	1.75		A6-44.5-A									
		48.3	1.90	1 1/2"	A6-48.3-A	30mm	86mm	66mm	66mm	88mm	3mm	77mm		
		50.8	2.00		A6-50.8-A	1.18"	3.39"	2.60"	2.60"	3.46"	0.12"	2.83"	25	

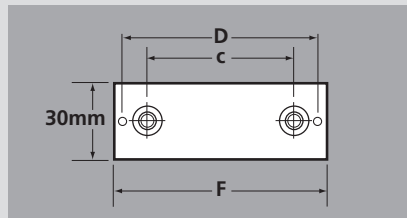
Add "S" prefix for stainless steel hardware when ordering a complete clamp assembly. To order a set of inserts only, omit the "A" from the end of the part number.

# Standard Series – Components

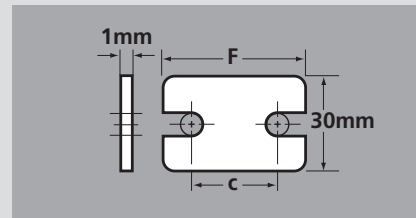


GROUP	WELD PLATE				COVER PLATE			
	PART NUMBER	DIMENSIONS		BAG QTY.	PART NUMBER	DIMENSIONS		BAG QTY.
		F	C			F	C	
0	WP0	32mm 1.28"	– –	50	CP0	28mm 1.10"	– –	50
1	WP1	42mm 1.65"	20mm 0.79"	50	CP1	37mm 1.46"	20mm 0.79"	50
2	WP2	48mm 1.89"	26mm 1.02"	50	CP2	43mm 1.69"	26mm 1.02"	50
3	WP3	55mm 2.17"	33mm 1.30"	50	CP3	50mm 1.97"	33mm 1.30"	50
4	WP4	62mm 2.44"	40mm 1.57"	25	CP4	57mm 2.24"	40mm 1.57"	25
5	WP5	74mm 2.91"	52mm 2.05"	25	CP5	69mm 2.72"	52mm 2.05"	25
6	WP6	88mm 3.46"	66mm 2.60"	25	CP6	83mm 3.27"	66mm 2.60"	25

Add "S" prefix for stainless steel hardware.



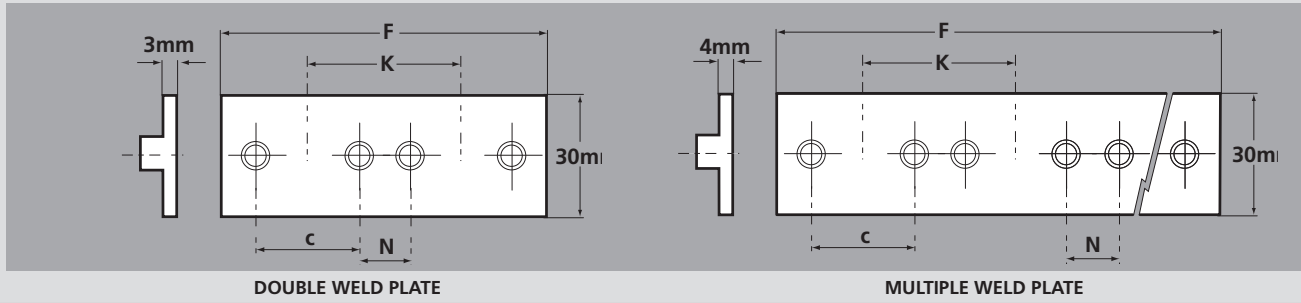
ELONGATED WELD PLATE



SAFETY PLATE

GROUP	ELONGATED WELD PLATE				SAFETY PLATE			
	PART NUMBER	DIMENSIONS		D	PART NUMBER	DIMENSIONS		BAG QTY.
		F	C			F	C	
0	EWP0	46mm 1.81"	– –	– –	SP0	28mm 1.10"	– –	50
1	EWP1	64mm 2.52"	20mm 0.79"	50mm 2.01"	SP1	34mm 1.34"	20mm 0.79"	50
2	EWP2	70mm 2.76"	26mm 1.02"	56mm 2.20"	SP2	41mm 1.61"	26mm 1.02"	50
3	EWP3	78mm 3.07"	33mm 1.30"	64mm 2.52"	SP3	47mm 1.85"	33mm 1.30"	50
4	EWP4	86mm 3.39"	40mm 1.57"	71mm 2.80"	SP4	57mm 2.24"	40mm 1.57"	25
5	EWP5	97mm 3.82"	52mm 2.05"	83mm 3.27"	SP5	67mm 2.64"	52mm 2.05"	25
6	EWP6	112mm 4.41"	66mm 2.60"	100mm 3.94"	SP6	82mm 3.23"	66mm 2.60"	25

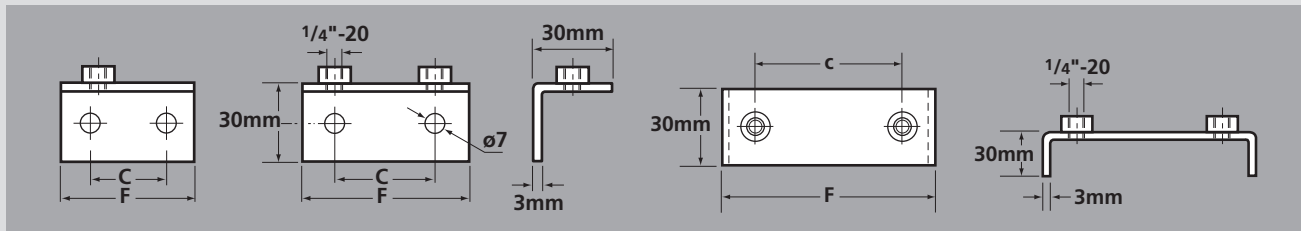
Add "S" prefix for stainless steel hardware.



DOUBLE WELD PLATE

MULTIPLE WELD PLATE

GROUP	PART NUMBER	DIMENSIONS				PART NUMBER	DIMENSIONS				CLAMPS PER PLATE
		F	C	N	K		F	C	N	K	
0	DWP0	61mm 2.40"	—	—	30mm 1.18"	MWP0	3.06mm 12.05"	—	—	30mm 1.18"	10
1	DWP1	81mm 3.19"	20mm 0.79"	20mm 0.79"	40mm 1.57"	MWP1	37mm 1.46"	20mm 0.79"	20mm 0.79"	40mm 1.57"	10
2	DWP2	91mm 3.58"	26mm 1.02"	18mm 0.71"	44mm 1.73"	MWP2	43mm 1.69"	26mm 1.02"	18mm 0.71"	44mm 1.73"	10
3	DWP3	106mm 4.17"	33mm 1.30"	19mm 0.75"	52mm 2.05"	MWP3	50mm 1.97"	33mm 1.30"	19mm 0.75"	52mm 2.05"	10
4	DWP4	121mm 4.76"	40mm 1.57"	20mm 0.79"	60mm 2.36"	MWP4	57mm 2.24"	40mm 1.57"	20mm 0.79"	60mm 2.36"	5
5	DWP5	148mm 5.83"	52mm 2.05"	23mm .91"	75mm 2.95"	MWP5	69mm 2.72"	52mm 2.05"	23mm 0.91"	75mm 2.95"	5
6	DWP6	177mm 6.97"	66mm 2.60"	24mm 0.94"	90mm 3.54"	MWP6	83mm 3.27"	66mm 2.60"	24mm 0.94"	90mm 3.54"	5

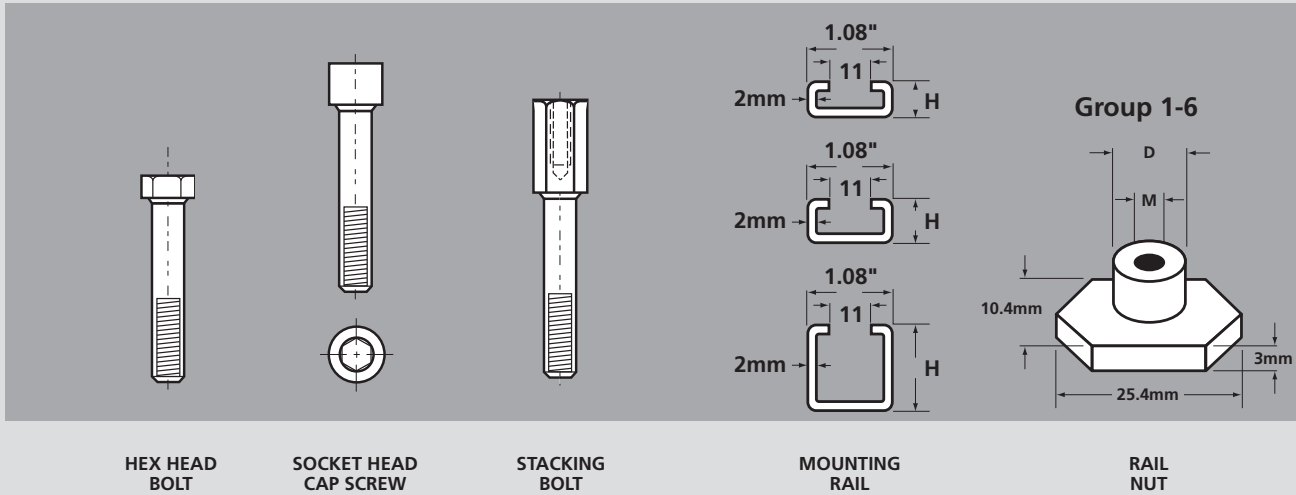


ANGLED WELD PLATE

BRIDGE WELD PLATE

GROUP	PART NUMBER	DIMENSIONS		PART NUMBER	DIMENSIONS	
		F	C		F	C
0	AWP0	32mm 1.26"	14mm 0.55"	—	—	—
1	AWP1	42mm 1.65"	20mm 0.79"	BWP1	48mm 1.89"	20mm 0.79"
2	AWP2	48mm 1.89"	26mm 1.02"	BWP2	54mm 2.13"	26mm 1.02"
3	AWP3	55mm 2.17"	33mm 1.30"	BWP3	62mm 2.44"	33mm 1.30"
4	AWP4	62mm 2.44"	40mm 1.57"	BWP4	71mm 2.80"	40mm 1.57"
5	AWP5	74mm 2.91"	52mm 2.05"	BWP5	85mm 3.35"	52mm 2.05"
6	AWP6	88mm 3.46"	66mm 2.60"	BWP6	98mm 3.86"	66mm 2.60"

# Standard Series – Components



HEX HEAD  
BOLT

SOCKET HEAD  
CAP SCREW

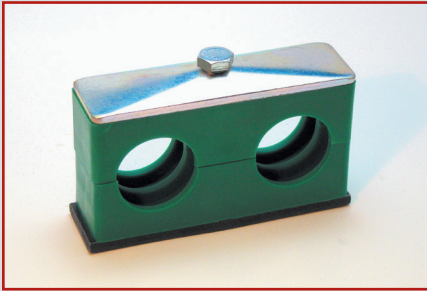
STACKING  
BOLT

MOUNTING  
RAIL

RAIL  
NUT

GROUP	PART NUMBER	PART NUMBER	PART NUMBER	PART NUMBER		PART NUMBER	
	SIZE	SIZE	SIZE	HEIGHT H	LENGTH L	M	D
0	HB0/1 1/4" - 20 x 1 1/4"	SC0/1 1/4" - 20 x 3/4"	SB0/1 1/4" - 20 x 3/4"	MR-11-1 11mm 0.43	1m 3.28		
1	HB0/1 1/4" - 20 x 1 1/4"	SC0/1 1/4" - 20 x 3/4"	SB0/1 1/4" - 20 x 3/4"	MR-11-2 11mm 0.43	2m 6.56		
2	HB2 1/4" - 20 x 1 3/8"	SC2 1/4" - 20 x 1"	SB2 1/4" - 20 x 1"	MR-14-1 14mm 0.55	1m 3.28		
3	HB3 1/4" - 20 x 1 1/2"	SC3 1/4" - 20 x 1 1/4"	SB3 1/4" - 20 x 1 1/4"	MR-14-2 14mm 0.55	1m 6.56	RNS/T1 1/4" - 20	12mm 0.47"
4	HB4 1/4" - 20 x 1 3/4"	SC4 1/4" - 20 x 1 3/8"	SB4 1/4" - 20 x 1 3/8"	MR-30-1 30mm 1.18	1m 3.28		
5	HB5 1/4" - 20 x 2 1/2"	SC5 1/4" - 20 x 2"	SB5 1/4" - 20 x 2"	MR-30-2 30mm 1.18	2m 6.56		
6	HB6 1/4" - 20 x 2 3/4"	SC6 1/4" - 20 x 2 3/8"	SB6 1/4" - 20 x 2 3/8"				

Add "S" prefix for stainless steel hardware.



**\*\*AT4 – 26.9 – A**

**CLAMP SET MATERIAL**

Polypropylene (Green) AT

**GROUP SIZE**

Refer to Chart on Page 83

**CLAMP SET ID**

Refer to Chart on Page 83

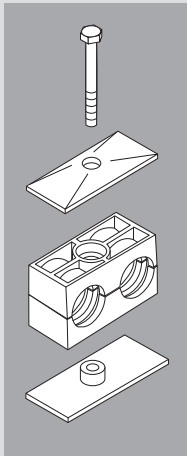
**DESCRIPTION**

- A** Clamp with Weld Plate, Cover Plate and Bolts
- SK** Clamp with Stacking Kit
- R** Clamp with Rail Nuts, Cover Plate and Bolts
- Clamp Set Only

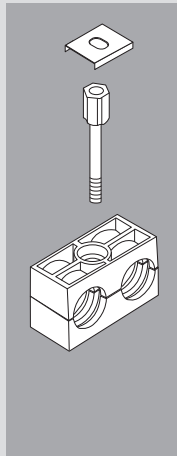
**CLAMP SET BORE**

Pipe and tube clamp sizes have a profiled bore. For hose and special applications add "H" to the part number for a smooth bore.

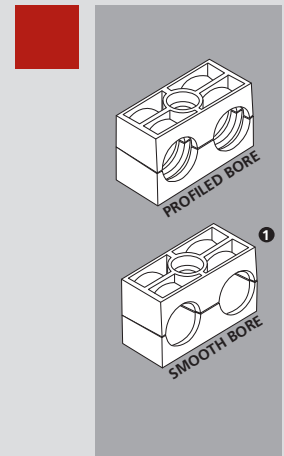
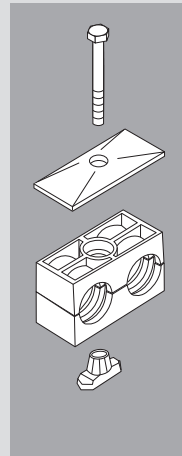
**A**



**SK**

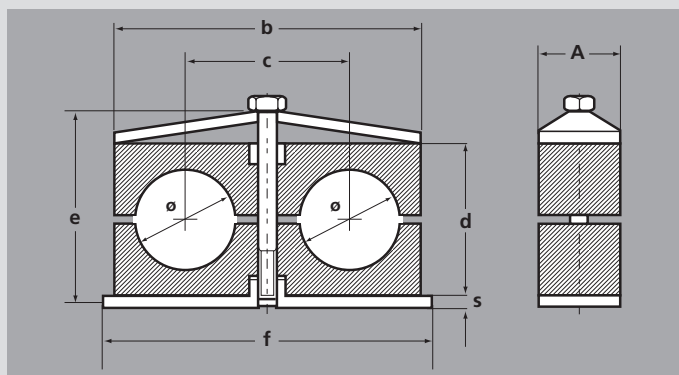


**R**



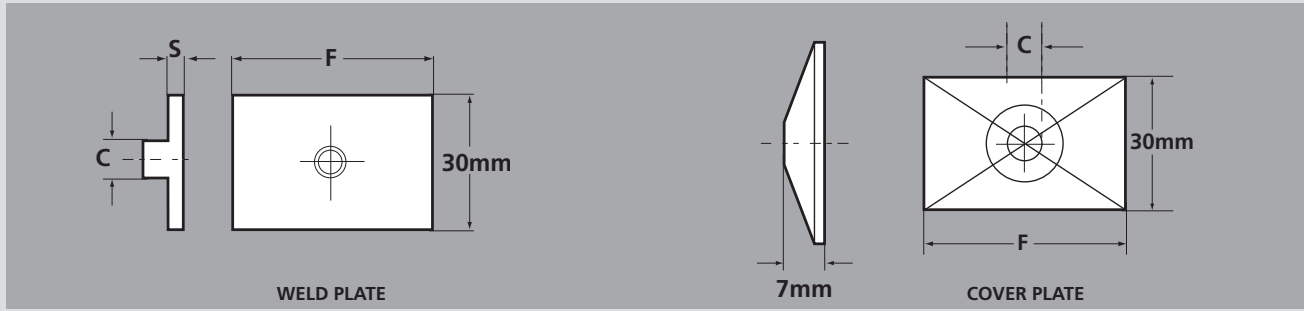
❶ Not available in all sizes. Contact PCI for availability.  
NOTE: Certain sizes available in black. Contact PCI for details.

# Twin Series – Sizes and Dimensions

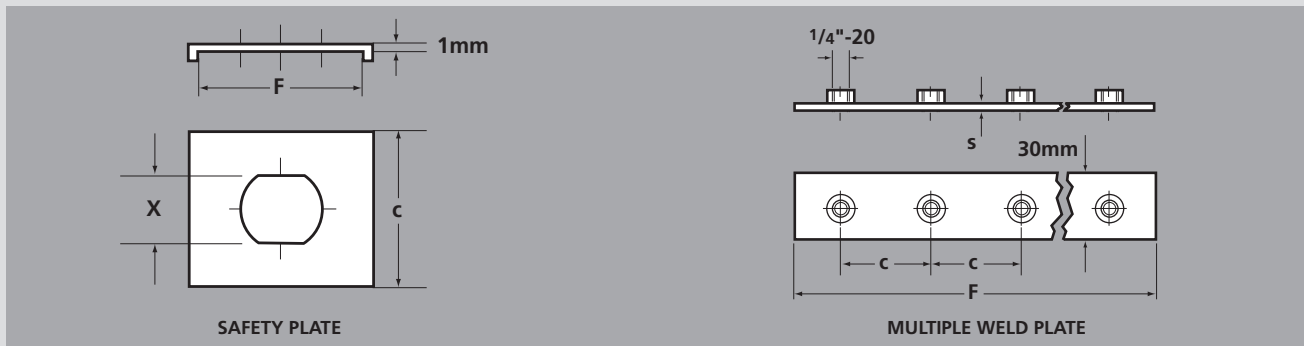


PCI		DIN		DIAMETER			DIMENSIONS							BAG/QTY.	
GROUP	GROUP	Ø		PIPE NOMINAL BORE	TUBE O.D.	COMPLETE ASSEMBLY PART #	A	B	C	D	F	S	E	BAG QTY.	
		mm	Inch												
1	1	6	0.24			AT1-06-A								50	
		6.4	1.25		1/4"	AT1-6.4-A									
		8	1.31		5/16"	AT1-8-A	30mm	34mm	20mm	25mm	37mm	3mm	35mm		
		9.5	0.37		3/8"	AT1-9.5-A	1.18"	1.34"	0.79"	0.98"	1.46"	0.12"	1.36"		
		10	0.39	1/8"		AT1-10-A									
		12	0.47			AT1-12-A									
2	2	12.7	0.50		1/2"	AT2-12.7-A								50	
		13.5	0.53	1/4"		AT2-13.5-A									
		14	0.55			AT2-14-A									
		15	0.59			AT2-15-A	30mm	53mm	29mm	26mm	55mm	5mm	36mm		
		16	0.63		5/8"	AT2-16-A	1.18"	2.09"	1.14"	1.02"	2.17"	0.20"	1.42"		
		17.2	0.67	3/8"		AT2-17.2-A									
3	3	18	0.71			AT2-18-A								50	
		19	0.75		3/4"	AT3-19-A									
		20	0.79			AT3-20-A									
		21.3	0.84	1/2"		AT3-21.3-A	30mm	67mm	36mm	37mm	70mm	5mm	47mm		
		22	0.87		7/8"	AT3-22-A	1.18"	2.64"	1.42"	1.46"	2.76"	0.20"	1.85"		
		25	0.98			AT3-25-A									
4	4	25.4	1.00		1"	AT3-25.4-A								25	
		26.9	1.06	3/4"		AT4-26.9-A	30mm	82mm	45mm	42mm	85mm	5mm	52mm		
		28	1.10			AT4-28-A	1.18"	3.23"	1.77"	1.65"	3.35"	0.20"	2.05"		
5	5	30	1.18			AT4-30-A								25	
		32	1.25		1 1/4"	AT5-32-A									
		33.7	1.33	1"		AT5-33.7-A									
		35	1.38			AT5-35-A									
		38	1.50		1 1/2"	AT5-38-A	30mm	106mm	56mm	54mm	110mm	5mm	64mm		
		40	1.57			AT5-40-A	1.18"	4.17"	2.20"	2.13"	4.33"	0.20"	2.52"		
42	1.65			AT5-42-A											
42.4	1.67	1 1/4"		AT5-42.4-A											

To order a set of inserts only, omit the "A" from the end of the part number.



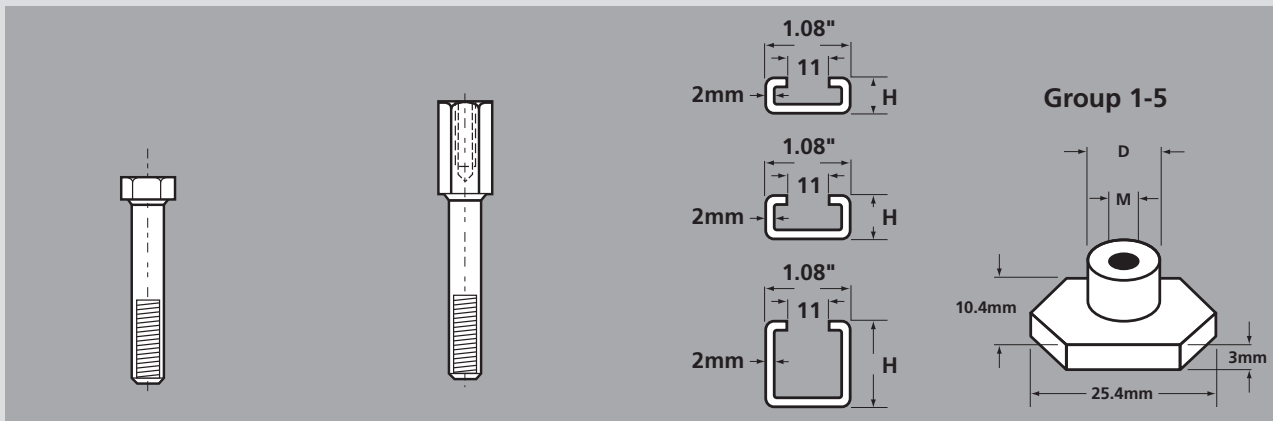
GROUP	PART NUMBER	DIMENSIONS			BAG QTY.	PART NUMBER	DIMENSIONS		BAG QTY.
		F	C	S			F	C	
1	WPT1	37mm 1.46"	12mm 0.79"	3mm 0.12"	50	CPT1	35mm 1.38"	7mm 0.28"	50
2	WPT2	55mm 2.17"	14mm 0.55"	5mm 0.20"	50	CPT2	52mm 2.05"	9mm 0.35"	50
3	WPT3	70mm 2.76"	14mm 0.55"	5mm 0.20"	50	CPT3	66mm 2.60"	9mm 0.35"	50
4	WPT4	85mm 3.35"	14mm 0.55"	5mm 0.20"	25	CPT4	81mm 3.19"	9mm 0.35"	25
5	WPT5	110mm 4.33"	14mm 0.55"	5mm 0.20"	25	CPT5	105mm 4.13"	9mm 0.35"	25



GROUP	PART NUMBER	DIMENSIONS			PART NUMBER	DIMENSIONS			CLAMPS PER PLATE
		F	C	X		F	C	S	
1	SPT1	30mm 1.18"	30mm 1.18"	11mm 0.43"	MWPT1	200mm 7.87"	40mm 1.57"	3mm 0.12"	5
2	SPT2	30mm 1.18"	30mm 1.18"	13mm 0.51"	MWPT2	290mm 11.42"	58mm 2.28"	5mm 0.20"	5
3	SPT3	30mm 1.18"	30mm 1.18"	13mm 0.51"	MWPT3	360mm 14.17"	72mm 2.83"	5mm 0.20"	5
4	SPT4	30mm 1.18"	30mm 1.18"	13mm 0.51"	MWPT4	450mm 17.72"	90mm 3.54"	5mm 0.20"	5
5	SPT5	30mm 1.18"	30mm 1.18"	13mm 0.51"	MWPT5	560mm 22.05"	112mm 4.41"	5mm 0.20"	5



# Twin Series – Components



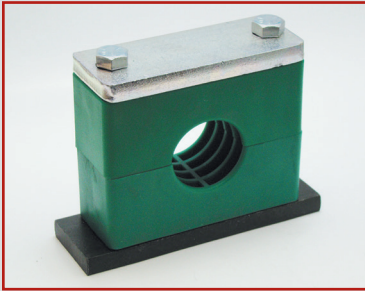
HEX HEAD  
BOLT

STACKING  
BOLT

MOUNTING  
RAIL

RAIL  
NUT

GROUP	PART NUMBER		PART NUMBER		PART NUMBER			
	SIZE	SIZE	HEIGHT H	LENGTH L	M	D		
1	HB2/T1	SBT/1	MR-11-1		RNS/T1	12mm		
	1/4" - 20 x 1 3/8"	1/4" - 20 x .79"	11mm	1m	1/4" - 20	0.47"		
2	HBT/2	SBT/2	MR-14-1		RNT2/5	14mm		
	5/16" - 18 x 1 3/8"	5/16" - 18 x .79"	14mm	1m				
3	HBT/3	SBT/3	MR-14-2				5/16" - 18	0.55"
	5/16" - 18 x 1 3/4"	5/16" - 18 x 1.14"	14mm	2m				
4	HBT/4	SBT/4	MR-30-1					
	5/16" - 18 x 2"	5/16" - 18 x 1.34"	30mm	1m				
5	HBT/5	SBT/5	MR-30-2		1.18	6.56		
	5/16" - 18 x 2 1/2"	5/16" - 18 x 1.85"	30mm	2m				



**\*\*AH3 – 33.7 – A**

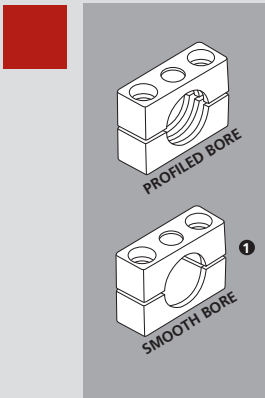
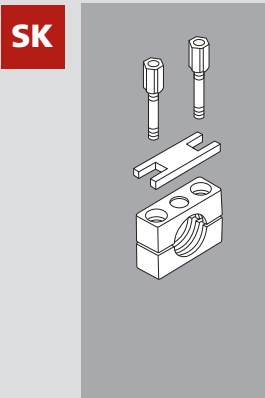
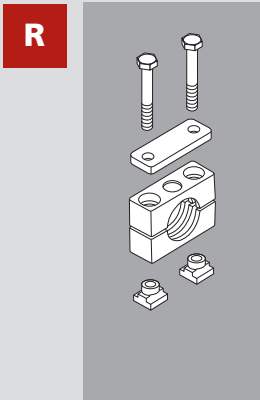
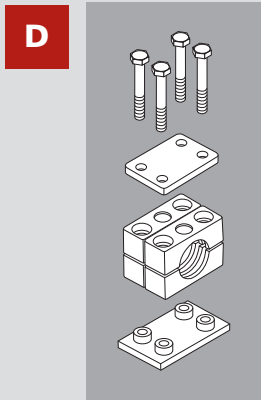
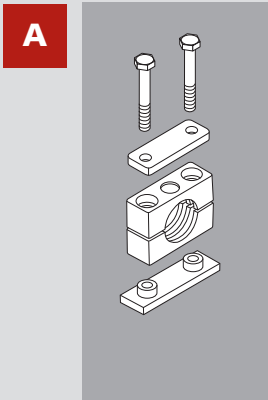
CLAMP SET MATERIAL	
Polypropylene (Green)	A
Aluminum	L

**GROUP SIZE**  
Refer to Chart on Page 87-88

**CLAMP SET ID**  
Refer to Chart on Page 87-88

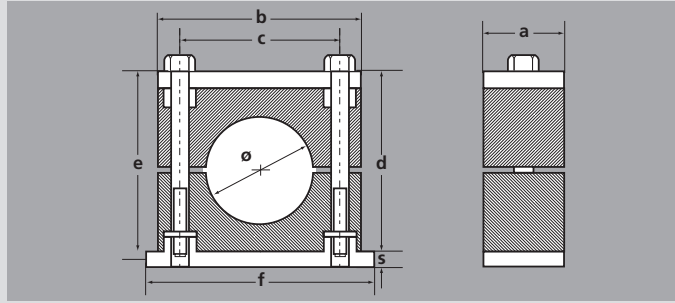
DESCRIPTION	
<b>A</b>	Clamp with Weld Plate, Cover Plate and Bolts
<b>SK</b>	Clamp with Stacking Kit
<b>R</b>	Clamp with Rail Nuts, Cover Plate and Bolts
<b>D</b>	Double Clamp with Weld Plate, Cover Plate and Bolts
<b> </b>	Clamp Set Only

**CLAMP SET BORE**  
Pipe and tube clamp sizes have a profiled bore. For hose and special applications add "H" to the part number for a smooth bore.



① Not available in all sizes. Contact PCI for availability.

# Heavy Duty – Sizes and Dimensions – Group 1-4

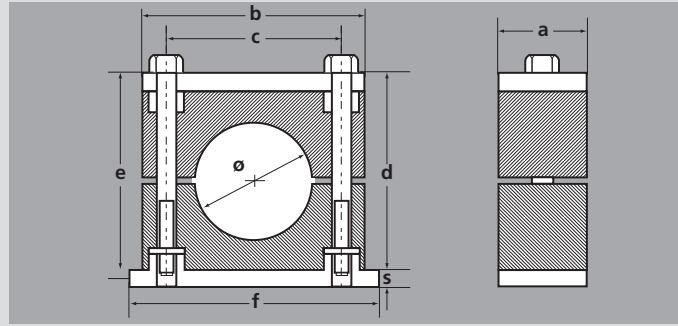


PCI	DIN	DIAMETER					DIMENSIONS							BAG/QTY.
GROUP	GROUP	Ø	PIPE NOMINAL BORE	TUBE O.D.	COMPLETE ASSEMBLY PART #	A	B	C	D	F	S	E	BAG QTY.	
1	1	6	0.24		AH1-06-A								25	
		6.4	0.25	1/4"	AH1-6.4-A									
		8	0.31	5/16"	AH1-08-A									
		9.5	0.37	3/8"	AH1-9.5-A									
		10	0.39	1/8"	AH1-10-A									
		12	0.47		AH1-12-A									
		12.7	0.50	1/2"	AH1-12.7-A	30mm	55mm	33mm	32mm	73mm	8mm	48mm		
		13.5	0.53	1/4"	AH1-13.5-A †	1.18"	2.17"	1.30"	1.26"	2.87"	0.31"	1.89"		
		14	0.55		AH1-14-A †									
		15	0.59		AH1-15-A †									
16	0.63	5/8"	AH1-16-A †											
17.2	0.68	3/8"	AH1-17.2-A											
18	0.71		AH1-18-A †											
2	2	19	0.75	3/4"	AH2-19-A								25	
		20	0.79		AH2-20-A									
		21.3	0.84	1/2"	AH2-21.3-A									
		22	0.87	7/8"	AH2-22-A †									
		25	0.98		AH2-25-A	30mm	70mm	45mm	48mm	85mm	8mm	76mm		
		25.4	1.00	1"	AH2-25.4-A	1.18"	2.76"	1.77"	1.89"	3.35"	0.31"	2.52"		
		26.9	1.06	3/4"	AH2-26.9-A									
		28	1.10		AH2-28-A †									
30	1.18		AH2-30-A †											
3	3	30	1.18		AH3-30-A †								25	
		32	1.25	1 1/4"	AH3-32-A									
		33.7	1.33	1"	AH3-33.7-A									
		35	1.38		AH3-35-A †	30mm	85mm	60mm	100mm	30mm	8mm	76mm		
		38	1.50	1 1/2"	AH3-38-A	1.18"	3.35"	2.36"	2.36"	3.94"	0.31"	2.99"		
		40	1.57		AH3-40-A †									
		42	1.65		AH3-42-A									
42.4	1.67	1 1/4"	AH3-42.4-A											
4	4	38	1.50	1 1/2"	AH4-38-A								-	
		42	1.65		AH4-42-A									
		42.4	1.67	1 1/4"	AH4-42.4-A									
		44.5	1.75	1 3/4"	AH4-44.5-A									
		48.3	1.90	1 1/2"	AH4-48.3-A									
		50	1.97		AH4-50-A †									
		50.8	2.0	2"	AH4-50.8-A	45mm	120mm	90mm	90mm	140mm	10mm	110mm		
		55	2.17		AH4-55-A †	1.77"	4.72"	3.54"	3.54"	5.51"	0.39"	4.33"		
		57	2.24	2 1/4"	AH4-57-A †									
		60.3	2.37	2"	AH4-60.3-A									
		63.5	2.50	2 1/2"	AH4-63.5-A									
		65	2.56		AH4-65-A †									
70	2.76	2 3/4"	AH4-70-A †											

To order a set of inserts only, omit the "A" from the end of the part number.

For Aluminum inserts, change prefix "A" to "L".

† Not available in Aluminum.



PCI GROUP	DIN GROUP	DIAMETER					DIMENSIONS						
		Ø mm	Ø Inch	PIPE NOMINAL BORE	TUBE O.D.	PART #	A	B	C	D	F	S	E
5	5	65	2.56			AH5-65-A	60mm 2.38"	152mm 5.98"	122mm 4.80"	120mm 4.72"	180mm 7.09"	10mm 0.39"	140mm 5.51"
		70	2.76		2 3/4"	AH5-70-A							
		75	2.95			AH5-75-A							
		76.1	3.00	2 1/2"	3"	AH5-76.1-A							
		80	3.15			AH5-80-A							
		82.5	3.25		3 1/4"	AH5-82.5-A †							
88.9	3.50	3"	3 1/2"	AH5-88.9-A									
6	6	88.9	3.50	3"	3 1/2"	AH6-88.9-A	80mm 3.15"	205mm 8.07"	168mm 6.61"	170mm 6.69"	225mm 8.86"	15mm 0.59"	200mm 7.87"
		100	3.94			AH6-100-A							
		101.6	4.00	3 1/2"	4"	AH6-101.6-A							
		108	4.25		4 1/4"	AH6-108-A							
		114.3	4.50	4"	4 1/2"	AH6-114.3-A							
		127	5.00	4 1/2"	5"	AH6-127-A							
133	5.25		5 1/4"	AH6-133-A xx									
7	7	133	5.25		5 1/4"	AH7-133-A	90mm 3.54"	250mm 9.84"	205mm 8.07"	200mm 7.87"	2.70mm 10.63"	15mm 0.59"	230mm 9.06"
		139.7	5.50	5"	5 1/2"	AH7-139.7-A							
		152.4	6.00	5 1/2"	6"	AH7-152.4-A							
		165	6.50			AH7-165-A xx							
		168.3	6.63	6"		AH7-168.3-A							
8	8	168.3	6.63	6"		AH8-168.3-A	120mm 4.72"	320mm 12.60"	265mm 10.43"	270mm 10.63"	340mm 13.39"	25mm 0.98"	320mm 12.60"
		177.8	7.00			AH8-177.8-A xx							
		193.7	7.63		7 5/8"	AH8-193.7-A xx							
		203	8.00		8"	AH8-203-A xx							
		216	8.50			AH8-216-A xx							
		219.1	8.63	8"		AH8-219-A							

To order a set of inserts only, omit the "A" from the end of the part number.

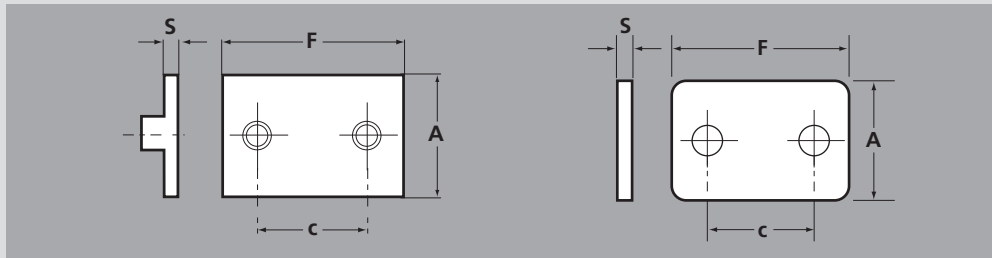
For Aluminum inserts, change prefix "A" to "L".

Aluminum inserts available through Group 5 only.

XX Special order only.

† Not available in Aluminum.

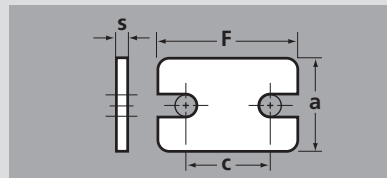
# Heavy Duty – Components



WELD PLATE

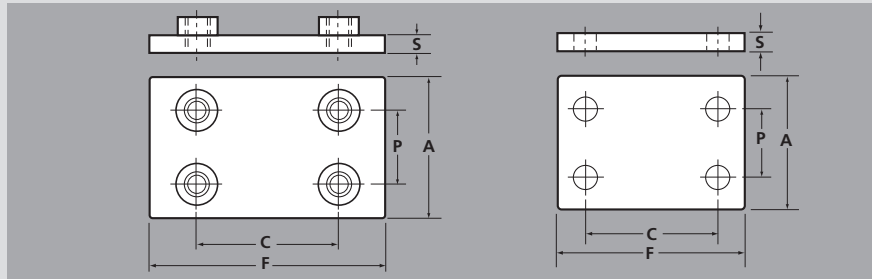
COVER PLATE

GROUP	PART NUMBER	DIMENSIONS				BAG QTY.	PART NUMBER	DIMENSIONS				BAG QTY.
		A	F	C	S			A	F	C	S	
1	WPH1	30mm 1.18"	75mm 2.95"	33mm 1.30"	8mm 0.31"	25	CPH1	30mm 1.18"	55mm 2.17"	33mm 1.30"	8mm 0.31"	25
2	WPH2	30mm 1.18"	87mm 3.43"	45mm 1.77"	8mm 0.31"	25	CPH2	30mm 1.18"	70mm 2.76"	45mm 1.77"	8mm 0.31"	25
3	WPH3	30mm 1.18"	102mm 4.02"	60mm 2.36"	8mm 0.31"	25	CPH3	30mm 1.18"	85mm 3.35"	60mm 2.36"	8mm 0.31"	25
4	WPH4	45mm 1.77"	140mm 5.51"	90mm 3.54"	10mm 0.39"	—	CPH4	45mm 1.77"	120mm 4.72"	90mm 3.54"	10mm 0.39"	—
5	WPH5	60mm 2.36"	180mm 7.09"	122mm 4.80"	10mm 0.39"	—	CPH5	60mm 2.36"	152mm 5.98"	122mm 4.80"	10mm 0.39"	—
6	WPH6	80mm 3.15"	225mm 8.86"	168mm 6.61"	15mm 0.59"	—	CPH6	80mm 3.15"	205mm 8.07"	168mm 6.61"	15mm 0.59"	—
7	WPH7	90mm 3.54"	270mm 10.63"	205mm 8.07"	15mm 0.59"	—	CPH7	90mm 3.54"	250mm 9.84"	205mm 8.07"	15mm 0.59"	—
8	WPH8	120mm 4.72"	340mm 13.39"	265mm 10.43"	25mm 0.98"	—	CPH8	120mm 4.72"	320mm 12.60"	265mm 10.43"	25mm 0.98"	—



SAFETY PLATE

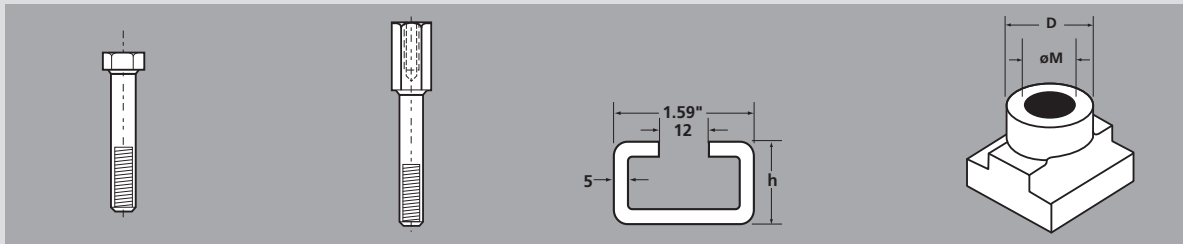
GROUP	PART NUMBER	DIMENSIONS			
		A	F	C	S
1	SPH1	30mm 1.18"	55mm 2.17"	33mm 1.30"	8mm 0.31"
2	SPH2	30mm 1.18"	70mm 2.76"	45mm 1.77"	8mm 0.31"
3	SPH3	30mm 1.18"	85mm 3.35"	60mm 2.36"	8mm 0.31"
4	SPH4	45mm 1.77"	120mm 4.72"	90mm 3.54"	10mm 0.39"
5	SPH5	60mm 2.36"	152mm 5.98"	122mm 4.80"	10mm 0.39"



DOUBLE WELD PLATE

DOUBLE COVER PLATE

GROUP	PART NUMBER	DIMENSIONS					PART NUMBER	DIMENSIONS				
		A	F	S	C	P		A	F	S	C	P
1	WPHD1	60mm 2.36"	74mm 2.91"	8mm 0.31"	33mm 1.30"	31mm 1.22"	CPHD1	60mm 2.36"	56mm 2.20"	8mm 0.31"	33mm 1.30"	31mm 1.22"
2	WPHD2	60mm 2.36"	85mm 3.39"	8mm 0.31"	45mm 1.77"	31mm 1.22"	CPHD2	60mm 2.36"	70mm 2.76"	8mm 0.31"	45mm 1.77"	31mm 1.22"
3	WPHD3	60mm 2.36"	100mm 3.94"	8mm 0.31"	60mm 2.36"	31mm 1.22"	CPHD3	60mm 2.36"	85mm 3.35"	8mm 0.31"	60mm 2.36"	31mm 1.22"
4	WPHD4	90mm 3.54"	140mm 5.51"	10mm 0.39"	90mm 3.54"	46mm 1.81"	CPHD4	90mm 3.54"	116mm 4.57"	10mm 0.39"	90mm 3.54"	46mm 1.81"
5	WPHD5	120mm 4.72"	160mm 7.09"	10mm 0.39"	122mm 4.80"	61mm 2.40"	CPHD5	120mm 4.72"	153mm 6.02"	10mm 0.39"	122mm 4.80"	61mm 2.40"



HEX HEAD BOLT

STACKING BOLT

MOUNTING RAIL

RAIL NUT

GROUP	PART NUMBER		PART NUMBER		PART NUMBER		PART NUMBER	D
	SIZE	SIZE	H	L	M	M		
1	HBH1 3/8" - 16 x 1 3/4"	SBH1 3/8" - 16 x 1.02"	MRH-1 22mm 0.87	1m 3.28'	3/8" - 16	MRH-1 22mm 0.87	RNH1/3	18 0.71
2	HBH2 3/8" - 16 x 2 1/4"	SBH2 3/8" - 16 x 1.61"	MRH-2 22mm 0.87	2m 6.56'	3/8" - 16	MRH-2 22mm 0.87	RNH1/3	18 0.71
3	HBH3 3/8" - 16 x 2 3/4"	SBH3 3/8" - 16 x 2.05"			3/8" - 16		RNH1/3	18 0.71
4	HBH4 7/16" - 14 x 4"	SBH4 7/16" - 14 x 3.27"			7/16" - 14		RNH4	20 0.79
5	HBH5 5/8" - 11 x 5 1/4"	SBH5 5/8" - 11 x 4.33"						
6	HBH6 3/4" - 10 x 7 1/2"							
7	HBH7 7/8" - 9 x 8 1/2"							
8	HBH8 1 1/8" - 7 x 12"							