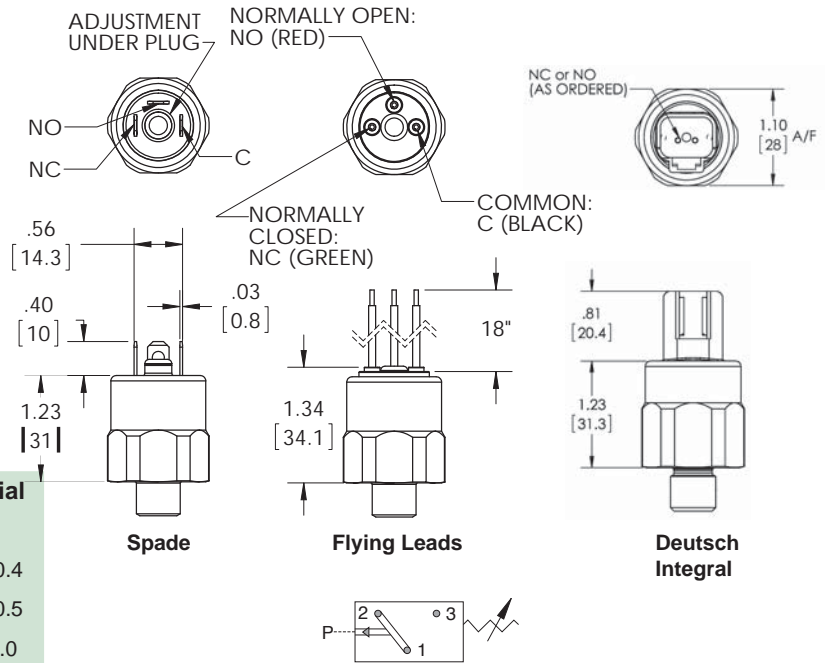


New Generation  
High Impact Plastic Switch



Model	Adjustment Range		Average Differential	
	PSI	Bar	PSI	Bar
1	3 - 20	0.2 - 1.4	2 - 5	0.13 - 0.4
2	15 - 80	1.03 - 6	4 - 7	0.27 - 0.5
3	50 - 150	3.5 - 10	7 - 15	0.5 - 1.0

**ELECTRICAL:**

Standard: 3A, 125VAC - U.L. Recognized\*  
 Option -7: 0.2A, 60VDC - U.L. Recognized\*  
 Option -9: 5A, 250VAC - U.L. Recognized\*  
 5A, 12/24VDC - U.L. Recognized\*

**MANUFACTURER'S OTHER RATING:**  
 3A @ 40VDC

**PROTECTION:**

Exposed Terminals – IP00  
 Flying Leads, M12, Deutsch Integral - IP69

**MECHANICAL LIFE:**

1,000,000 cycles

**SWITCH TYPE:**

Snap Action

**REPEATABILITY:**

± 2% of full set point range at 70°F (21°C)  
 Ambient Temperature

**MAXIMUM OVERPRESSURE:**

250 PSI (17 Bar)

**TEMPERATURE RANGE:**

Buna – N: -15° to +230°F (-26° to 110°C)  
 EPDM: -10° to +250°F (-23° to 121°C)  
 KAPTON®: -40° to +230°F (-40° to 110°C)  
 VITON®: 0° to +250°F (-18° to 121°C)  
 (® Registered Trademark of DuPont)

**WETTED MATERIAL:**

Diaphragm: Buna-N Standard  
 (optional EPDM, KAPTON®, VITON®)  
 Housing: Glass Filled Nylon

**WEIGHT:**

0.08 LBS  
 (0.04 kg)

**ORDERING INFORMATION**

HPA	- * 2	- * R	- 4M	- A	- FL	- * 1
Model	Set Point	Direction	Port Size	Circuit	Terminal	Options
HPA - Field Adjustable	See Above Adjustment Ranges	R - PSI Rising F - PSI Falling BR - Bar Rising BF - Bar Falling	2M - 1/8 NPT 4M - 1/4 NPT 2G - 1/8 BSPP 4G - 1/4 BSPP	A - SPST / NO B - SPST / NC C - SPDT	SP - 1/4" x 1/32" Spade TS - 6-32 Terminal Screws FL - 18" Flying Leads FLWTF - Weatherpack Tower Female FLWTM - Weatherpack Tower Male FLWSF - Weatherpack Shroud Female FLWSM - Weatherpack Shroud Male DI - Deutsch Integral M12 - M12 X 1	* - Omit If Standard 1 - VITON® Diaphragm 2 - EPDM Diaphragm 3 - KAPTON® Diaphragm 6 - Oxygen Cleaned 7 - Gold Contacts 9 - 5 AMP Rating UL - UL Recognized** **For Selected Models Only - Consult Factory 12 - WRAS Approved
HPF - Factory Set	* Specify Set Point Required for model HPF	*Omit For Model HPA				