



W023

Max Flow: 60 gpm (227 lpm)



W023 Spin-On Filters

Working Pressures to:	150 psi 1035 kPa 10.3 bar
------------------------------	---------------------------------

Rated Static Burst to:	250 psi 1725 kPa 17.2 bar
-------------------------------	---------------------------------

Flow Range to:	60 gpm 227 lpm
-----------------------	-------------------

Applications

- Fluid Conditioning Systems
- In-Plant Systems
- Mobile Equipment
- Power Transmissions
- Process Systems

Features

This versatile spin-on series is an excellent choice for use in high corrosion environments. The gray iron head construction can be ordered with gauge or differential pressure indicator ports. Take advantage of our mix and match system of heads and filters, so you get exactly what you need. You can choose the media type and configurations that's best for your application.



Beta Rating

- Performance to $\beta_{<4(c)}=1000$

Porting Size Options

- 1 1/4" NPT
- SAE-20 O-ring

Replacement Filter Lengths

- 6.7" / 170 mm
- 10.7" / 271 mm

Standard Bypass Ratings

- 50 psi / 345 kPa / 3.5 bar
- No bypass

Assembly Weight

- 7.0lbs / 3.2 kg (short)
- 8.0 lbs / 3.6 kg (long)

Operating Temperatures

- -22°F to 225°F / -30°C to 107°C

Filter Collapse Ratings

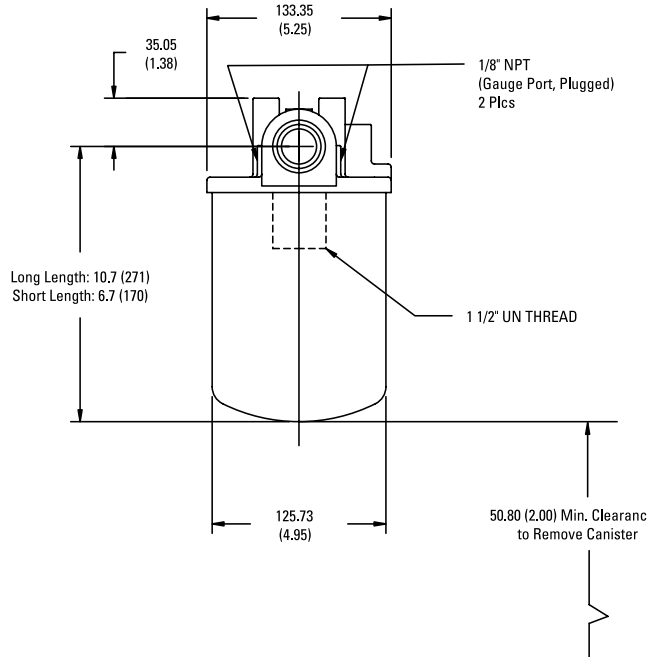
- 100 psid / 690 kPa / 6.9 bar



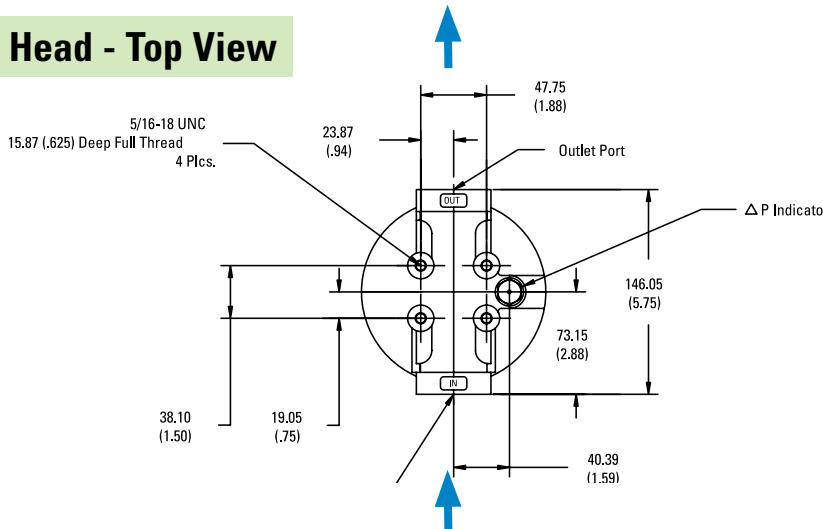
W023 Specification Illustrations

All dimensions are shown in millimeters [inches].

Assembly - Side View



Head - Top View





W023

Max Flow: 60 gpm (227 lpm)



W023 Components

Filter Choices

Media Type	$\beta_{x(c)} = 2$ Rating based on ISO 16889	$\beta_{x(c)} = 1000$	Length		Donaldson Part No.	Comments
			in	mm		
Synteq Synthetic	<4 μm		10.7	271	P167796	Viton® O-ring & square seal kit
	6 μm		6.7	170	P167162	3-seal kit
	6 μm		10.7	271	P165762	3-seal kit
	11 μm		6.7	170	P165875	3-seal kit
	11 μm		10.7	271	P165876	3-seal kit
	13 μm		6.7	170	P167944	Viton O-ring & square seal kit
	13 μm		10.7	271	P167945	Viton O-ring & square seal kit
	23 μm		6.7	170	P165877	3-seal kit
	23 μm		10.7	271	P165878	3-seal kit
	50 μm		6.7	170	P165879	3-seal kit
Cellulose	5 μm		6.7	170	P550386	3-seal kit
	5 μm		10.7	271	P550250	3-seal kit
	7 μm		6.7	170	P550388	3-seal kit
	7 μm		10.7	271	P550251	3-seal kit
	17 μm		6.7	170	P550387	3-seal kit
	17 μm		10.7	271	P550252	3-seal kit
Water Absorbing	10 μm		10.7	271	P561183	Cellulose media, 3-seal kit. Absorbs 350 ml water.
Wire Mesh	150 μm		6.7	170	P550275	Stainless steel wire mesh, 3-seal kit
	150 μm		10.7	271	P550276	Stainless steel wire mesh, 3-seal kit

Filter Notes

* All models have 1½-16 UNF threads except where otherwise noted. All models measure 5.0"/127 mm outer diameter.

Head Assembly Choices

Port Size	Bypass Rating	Seal Material	Indicator Style & Location	Donaldson Part No.
SAE-20 O-Ring	50 psi / 3.45 bar	Buna-N	Port Machined & Plugged	P574241
1-1/4" NPT	None	Buna-N	Port Machined & Plugged	P575930

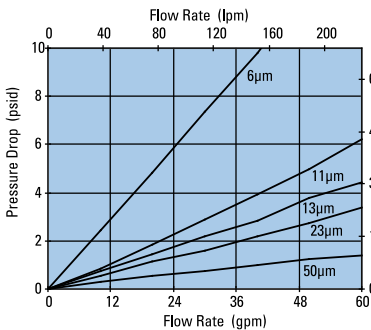


Indicator Choices

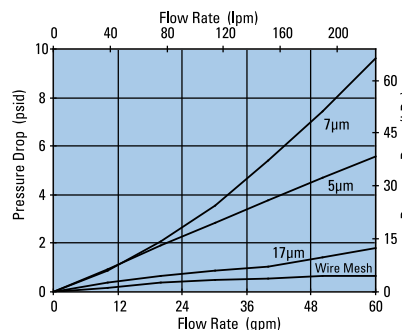
Indicator	Connector	Seal	Donaldson	Thermal	Surge	Reset
Pressure Setting	Style	Material	Part No.	Lockout	Control	
Visual Pop-up Models						
15 psi / 103 kPa	N/A	Buna-N	P572345	No	No	Auto
35 psi / 241 kPa	N/A	Buna-N	P572347	No	No	Auto
35 psi / 241 kPa	N/A	Buna-N	P572348	Yes	Yes	Manual
35 psi / 241 kPa	N/A	Viton	P567456	Yes	Yes	Manual
Electrical / Visual Models						
15 psi / 103 kPa	Hirschmann	Buna-N	P572323	No	No	Auto
15 psi / 103 kPa	3-wire flying leads	Buna-N	P572342	No	No	Auto
35 psi / 241 kPa	Hirschmann	Buna-N	P572327	No	No	Auto
35 psi / 241 kPa	Brad Harrison	Buna-N	P572329	No	No	Auto
35 psi / 241 kPa	Hirschmann	Buna-N	P572384	Yes	Yes	Manual
35 psi / 241 kPa	Hirschmann	Viton	P567458	Yes	Yes	Manual
35 psi / 241 kPa	3-wire flying leads	Buna-N	P572349	No	No	Auto
Electrical Models						
15 psi / 103 kPa	Hirschmann	Buna-N	P572355	No	No	Auto
35 psi / 241 kPa	Hirschmann	Buna-N	P572359	No	No	Auto
35 psi / 241 kPa	Brad Harrison	Buna-N	P572361	No	No	Auto

Performance Data

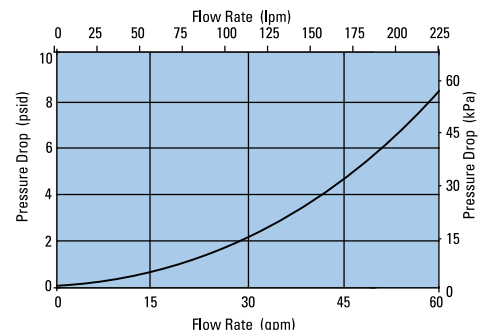
W023 Filter Only
(Synthetic, 6.7"/170mm)



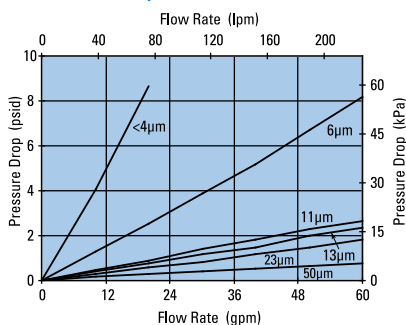
W023 Filter Only
(Cellulose, 6.7"/170mm)



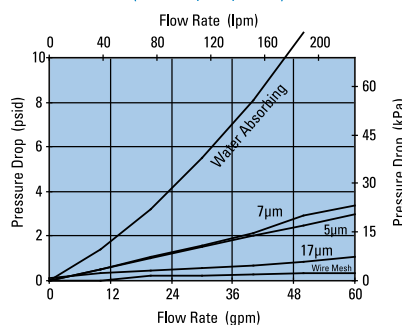
W023 Head Only



W023 Filter Only
(Synthetic, 10.7"/271mm)



W023 Filter Only
(Cellulose, 10.7"/271mm)



Brad Harrison® is a registered trademark of Woodhead Industries, Inc.
Hirschmann® is a registered trademark of Richard Hirschmann of America Inc.
Buna-N® and Viton® are registered trademarks of E. I. DuPont de Nemours and Co.