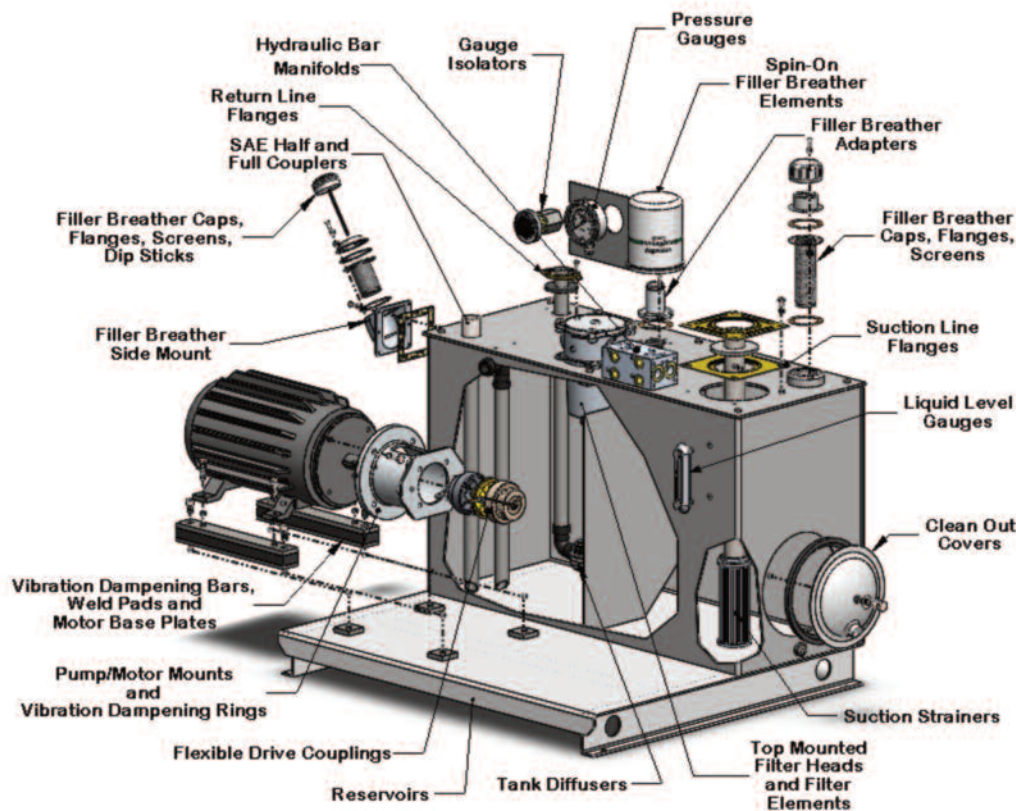




Magnaloy Products Catalog

North America's Favorite Source for
Fluid Power Accessories



QUICK INDEX:

Full Product Index i

Flexible Drive Couplings

Premium Line
PM 90 Coupling

1

Pump/Motor Mounts

General Information
Horizontal Mounts
Vertical Mounts
Engine Mounts
Welded Steel Mounts

2

Bar Manifolds

General Information
In-Line Bar Manifolds
Integrated Circuit Manifolds
Subplates
Cover Plates
Valve Adaptors
Manifold Accessories
Header Bar Manifolds
Junction Bar Manifolds

3

Reservoirs

General Information
Reservoirs
End Covers

4

Accessories

Filler Breathers
Reservoir Flanges
Channel Mounted Cushion Clamps
Modular Cushion Clamps
Suction Strainers
Tank Diffusers
Spin-On Filters
Tank Top Filters
Pressure Gauges
Liquid Level Gauges
SAE Couplings
Motor Dampening Bars
Motor Base Plates
Gauge Isolators
Pressure Switch
Modular O'Ring Kit

5

Rod Alignment Couplers

M Series
R Series

6

Reference Section

R

magnaloy coupling company 501 Commerce Drive Alpena, MI 49707 989 356-2186

A Division of Douville Johnston Corporation Fax: 989 354-4190 <http://www.magnaloy.com>



Flexible Drive Couplings - SECTION 1

Premium Flexible Drive Couplings	3
PM90 Flexible Drive Coupling	13

Pump/Motor Mounts - SECTION 2

General Information	19
Horizontal Pump/Motor Mounts (NEMA Frame Motors)	20
Horizontal Pump/Motor Mounts (IEC Metric Frame Motors)	23
Vertical Pump/Motor Mounts	27
Pump/Engine Mounts	30
Horizontal Welded Steel Pump/Motor Mounts	33
Vertical Welded Steel Pump/Motor Mounts	36
Welded Steel Pump/Engine Mounts	39
Pump/Motor Mount Dampening Ring	42

Hydraulic Bar Manifolds - SECTION 3

General Information	46
In-line Bar Manifolds	47
Integrated Circuit Manifolds	72
Subplates	76
Cover Plates	85
Valve Adaptors	92
Manifold Accessories	97
Orifice Plate	100
Tapping Plate	102
Header Bar Manifolds	106
Junction Bar Manifolds	112

Reservoirs - SECTION 4

General Information	116
Vertical Reservoirs	117
Dual Vertical Reservoirs	122
JIC Reservoirs	124
L Shaped Reservoirs	126
T Shaped Reservoirs	130
Horizontal Reservoirs	132
Drip Pans	134
Stacking Modules	135
End Covers	136

Reservoir Accessories - SECTION 5

Filler Breathers	139
Reservoir Flanges	143
SAE Full and Half Couplings	146
Channel Mounted Cushion Clamps	147
Modular-Stackable Cushion Clamps	151
Suction Strainers	157
Tank Diffusers	159
Spin-On Filters	160
Tank Top Filters	162
Pressure Gauges	168
Gauge Isolators	170
Pressure Switches	171
Liquid Level Gauges	172
Motor Dampening Bars	174
Motor Base Plates	179
Modular O-Ring Kit	180

Cylinder Rod End Alignment Couplers - SECTION 6

M - Series Specifications	182
R - Series Specifications	184

REFERENCE MATERIAL INDEX	188
------------------------------------	-----

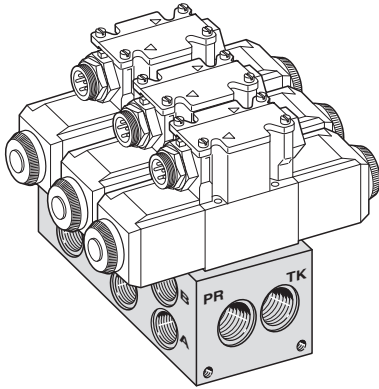
SECTION 3

MAGNALOY HYDRAULIC BAR MANIFOLDS AND MANIFOLDING ACCESSORIES

3



NOTE: Due to Magnaloy's policy of continuous improvement, specifications are subject to change without notice.
Check with the factory or our Web Site at www.magnaloy.com for the latest information.



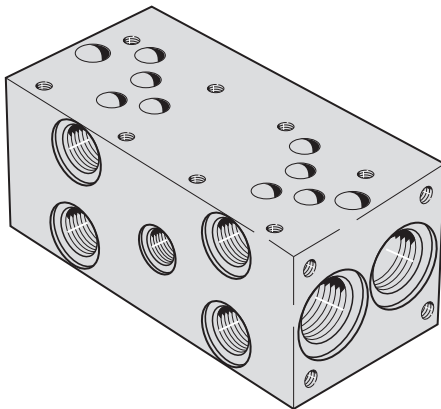
General Information:

Standard Bar Manifold - includes specified NFPA valve pattern mounting on top of the manifold, A & B ports per specified thread type on the face of the manifold and pressure and tank ports per the specified thread type on each end of the manifold. Mounting provisions are included and defined on following manifold pages.

Options:

- Z - No Options** - indicates no options are provided (standard manifold)
- B - Bottom PR -TK ports** - additional pressure and tank ports per specified thread type located on the bottom of the manifold.
- C - Relief Valve Common Cavity** configurations added to the back surface of the manifold.
- G - Gauge Port** - addition of gauge port per specified thread type (see port size chart) to the face of the manifold to allow monitoring of the pressure "PR" passage.
- G4** - With Retro Design Manifolds Only - **#4 SAE Gauge Port** (with "S" thread code). Standard Gauge Port is #6 SAE (with "S" thread code) or 1/4 NPT (with "P" thread code).
- G6** - With Standard Design Manifolds - **#6 SAE Gauge Port** (with "S" thread code). Standard Gauge Port is #4 SAE (with "S" thread code) or 1/4 NPT (with "P" thread code).
- S - Relief Valve Sun Cavity** configuration added to the back surface of the manifold.
- H - Hard Metric Thread** - When British or Metric Thread type is specified, the valve and manifold mounting holes are also Metric Threaded.
- M - Soft Metric Thread** - indicates mixed metric threading. When NPT or SAE thread type is specified, valve mounting holes are metric threaded. No code "M" indicates the valve and manifold mounting holes are English threaded.
- I - Isolation** - stations in the pressure or tank passages may be have the pressure signal isolation for valve operation. The location of the isolation is specified by indicating which station is to be isolated. With the manifold positioned with the A & B ports facing forward, the valve mounting surfaces up and numbering from left to right, location A is between stations 1 & 2, location B is between stations 2 & 3, location C is between stations 3 & 4, etc. Isolation can be specified for the pressure or tank passages or both. (See Note 1, next page and Reference Section, page 198)
- L - L Port** - addition of a drain port to the valve pattern on top of the manifold with a connecting port outlet on the back surface on the manifold. One port per station.
- O - Oversized A & B Ports** - (D05 High Flow and D05H-Alt.B only) - provides A & B ports machined oversized from the standard port size for additional flow capacity - see port size charts.
- P - Pilot Pressure** (D08 only) - addition of a pilot pressure signal port to the back surface of the manifold. One port per station.

In-line Bar Manifolds



INDEX:

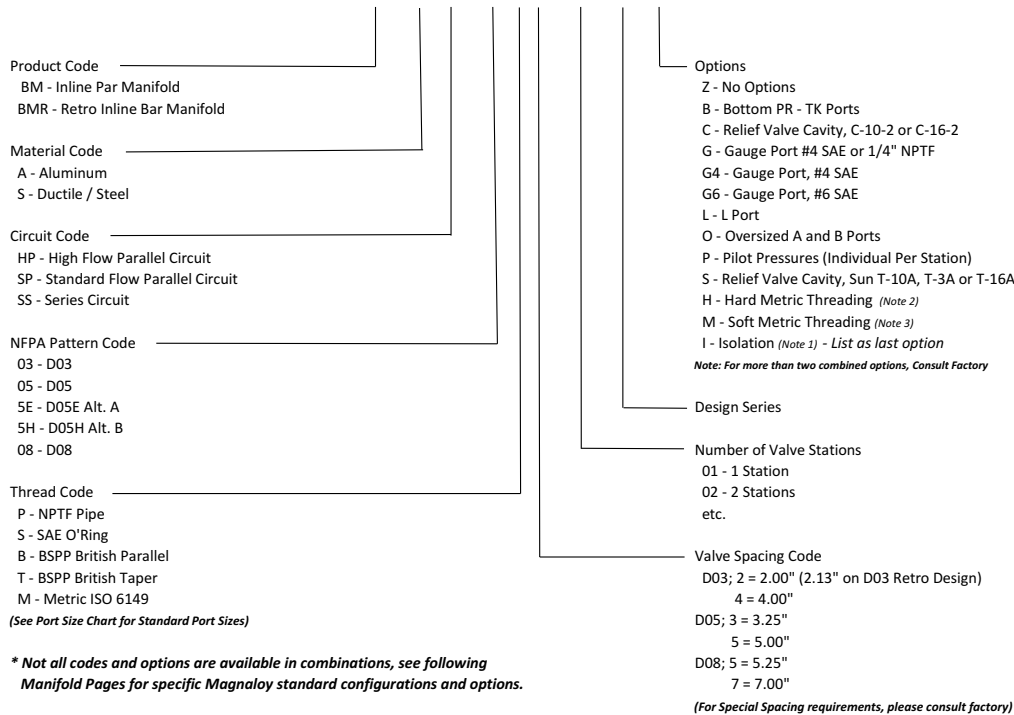
page Standard Bar Manifolds

- 40 NFPA D03 Directional Valves in Parallel Circuits
- 42 NFPA D03 Directional Valves in Series Circuits
- 44 NFPA D03 Retro Design Directional Valves in Parallel Circuits
- 46 NFPA D03 High Flow Retro Design Directional Valves in Parallel Circuits
- 48 NFPA D05 Directional Valves in Parallel Circuits
- 50 NFPA D05 Directional Valves in Series Circuits
- 52 NFPA D05 High Flow Directional Valves in Parallel Circuits
- 54 NFPA D05E Alt.A Directional Valves in Parallel Circuits
- 56 NFPA D05H Alt.B Directional Valves in Parallel Circuits
- 58 NFPA D08 Directional Valves in Parallel Circuits
- 60 NFPA D08 High Flow Retro Design Directional Valves in Parallel Circuits
- 62 NFPA D08 Directional Valve in Series Circuits

Bar Manifold Hardware

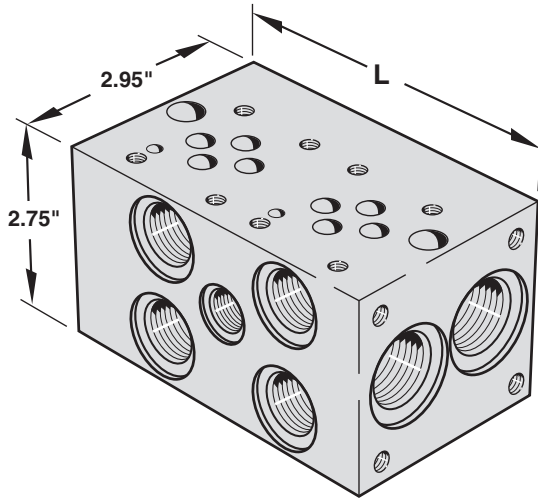
- 177 Isolation Plugs for factory and field installation
- 177 Mounting Bracket Kits

MAGNALOY BAR MANIFOLD PART NUMBER BREAKDOWN

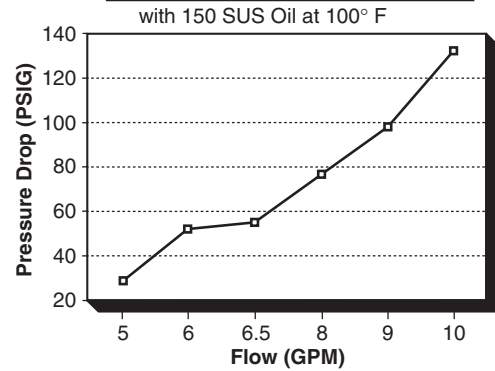


*** Not all codes and options are available in combinations, see following Manifold Pages for specific Magnaloy standard configurations and options.**

Notes:		
1 - Isolation Location is specified by using the following codes after the "I" option designation:		
<u>Port</u>	<u>Location</u>	
P - Pressure Port	A - Between Stations 1 & 2	Option Code for PRESSURE Isolation between stations 3 & 4 = IPC
T - Tank Port	B - Between Stations 2 & 3	Option Code for TANK Isolation between stations 1 & 2 = ITA
	C - Between Stations 3 & 4	Option Code for PRESSURE Isolation between stations 1 & 2 and TANK Isolation between stations 2 & 3 = IPATB
	D - Between Stations 4 & 5	
	etc.	<i>* Location is determined with A & B ports facing forward, valves up and numbering from left to right</i>
2 - Hard Metric Threading - Used with British and Metric Thread Type to indicate Valve Mounting is also Metric Threaded		
3 - Soft Metric Threading - Used with NPT or SAE Thread Type to indicate Valve Mounting is Metric Threaded		
<i>(No Code Designation Indicates Valve Mounting is English Threaded)</i>		



Flow from P to A/B Port



Dimensions

No of Stations	L	E	F
1	2.75" *	2.00"	-
2	4.75"	4.00"	-
3	6.75"	6.00"	-
4	8.75"	8.00"	-
5	10.75"	10.00"	-
6	12.75"	12.00"	-
7	14.75"	14.00"	8.00"
8	16.75"	16.00"	8.00"
9	18.75"	18.00"	8.00"
10	20.75"	20.00"	10.00"
11	22.75"	22.00"	8.00" & 16.00"
12	24.75"	24.00"	8.00" & 16.00"
13	26.75"	26.00"	8.00" & 16.00"
14	28.75"	28.00"	10.00" & 20.00"

Shaded area - Please consult factory for delivery.

* For Single Station with B, C, S, G, or G6 Options, "L" = 3.75"

Features & Advantages

- * The efficient design provides excellent flow rates with minimal pressure drop.
- * Standard end mount and through holes make mounting easy and flexible. Also, (when requested) mounting bracket kit BK-A03 (no charge) or flange mount kit FK-03 (additional cost) is available with the manifold as alternative mounting styles.
- * Available with SAE, NPTF, BSPP, BSPT or Metric Threads to cover a wide range of applications.
- * Options include relief valve cavity, bottom PR & TK ports, and gauge port to fit specific circuit requirements.

3

MAGNALOY D03 PARALLEL BAR MANIFOLD PART NUMBER BREAKDOWN

B M - A S P 0 3 P 2 - 0 2 - 1 / C

Product Code ————
BM-Inline Bar Manifold

Material Code ————
A - Aluminum
S - Ductile/Steel

Circuit Code ————
SP - Standard Flow Parallel Circuit

NFPA Pattern Code ————
03 - D03

Thread Code ————
P - NPTF Pipe
S - SAE O'Ring
B - BSPP British Parallel
T - BSPT British Taper
M - Metric - ISO 6149
(See Port Size Chart for Standard Port Sizes)

Options

- Z - No Option
- B - Bottom PR-TK Ports
- C - Relief Valve Cavity C-10-2
- G - Gauge Port #4 SAE or 1/4" NPTF
- G6 - Gauge Port #6 SAE
- S - Relief Valve Cavity Sun T-10A
- H - Hard Metric Threading (See Note 2, page 47)
- M - Soft Metric Threading (See Note 3, page 47)
- I - Isolation of Station¹ - Show as last option designated (see Note 1, page 39)

Note: For more than two combined options, please consult factory.

Design Series

- Number of Valve Stations
- 01 - 1 stations
- 02 - 2 stations
- etc.

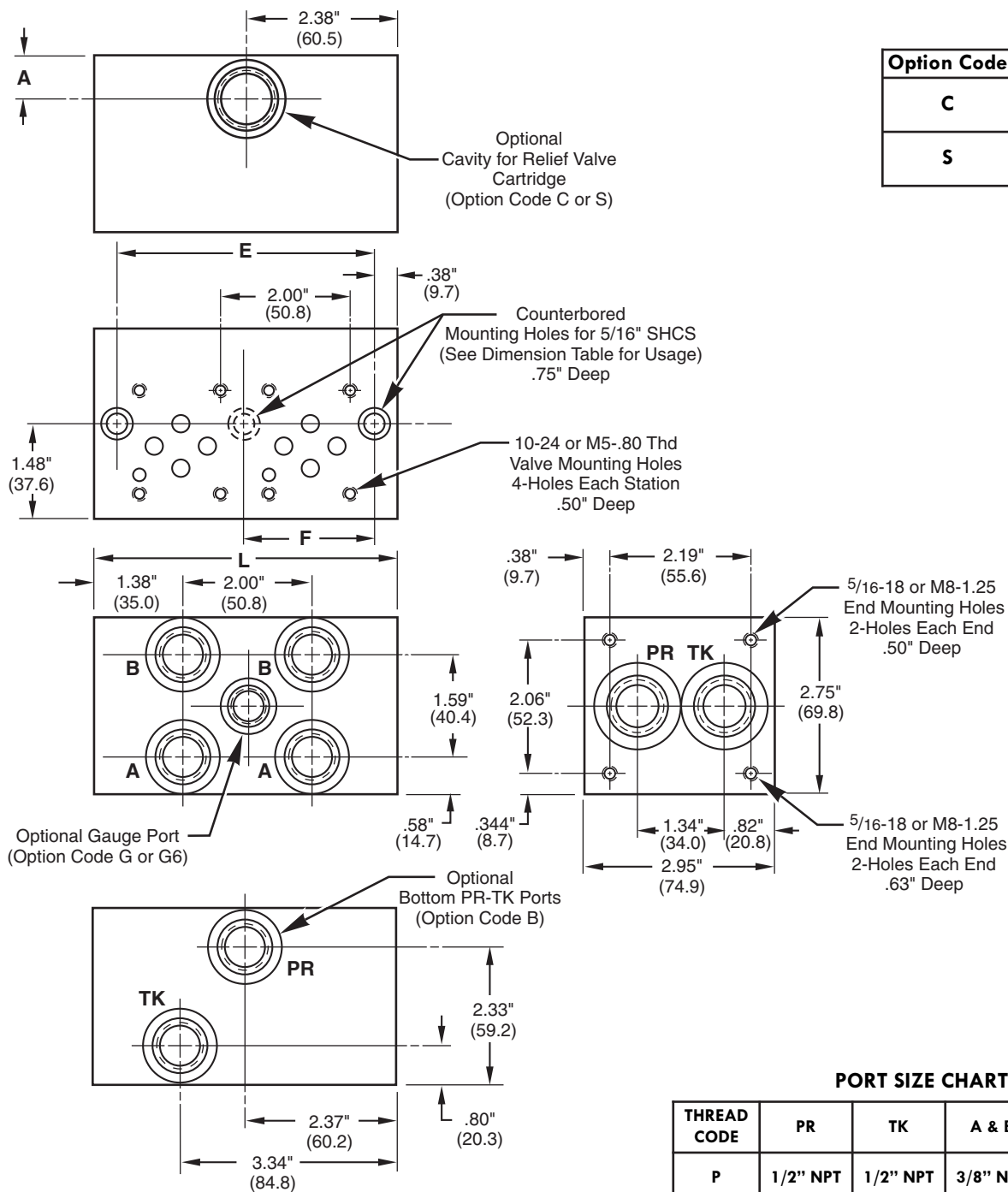
Valve Spacing Code

- 2 - 2.00"
- 4 - 4.00"

(For Special Spacing requirements, please consult factory.)

Inline Bar Manifold

D03 Standard Flow Bar Manifold - Parallel



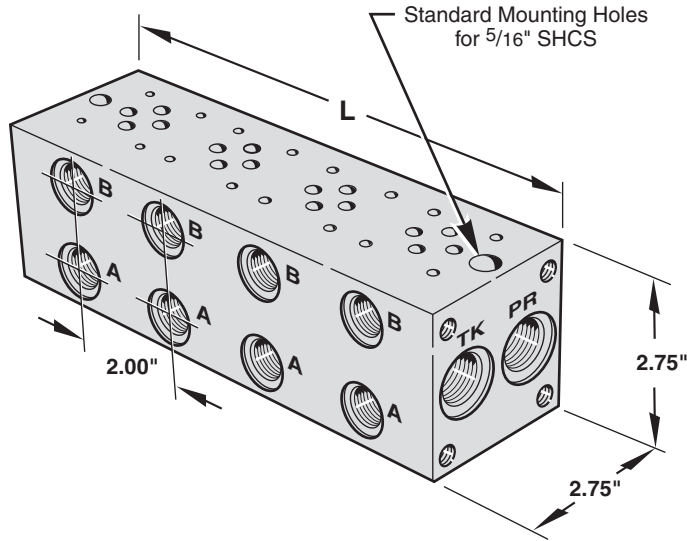
Option Code	A
C	.69" (17.5)
S	.81" (20.6)

3

NOTE: For End Mounting Bracket Kit (BK-A03) and Mounting Flange Kit (FK-A03) dimensions, see Reference Section, page 197.

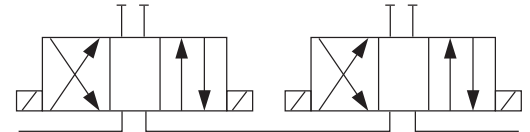
PORT SIZE CHART

THREAD CODE	PR	TK	A & B	OPTIONAL GAUGE PORTS
P	1/2" NPT	1/2" NPT	3/8" NPT	1/4" NPT
S	#10 SAE	#10 SAE	#8 SAE	#4 SAE G6 - #6 SAE
B	1/2" BSPP	1/2" BSPP	3/8" BSPP	-
T	1/2" BSPT	1/2" BSPT	3/8" BSPT	-
M	M22	M22	M18	-

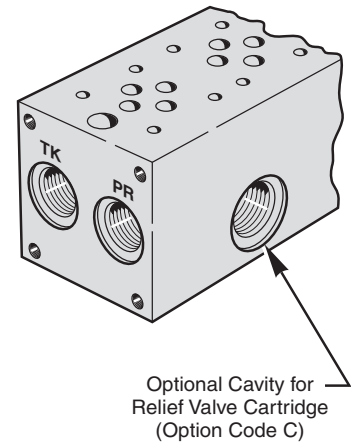
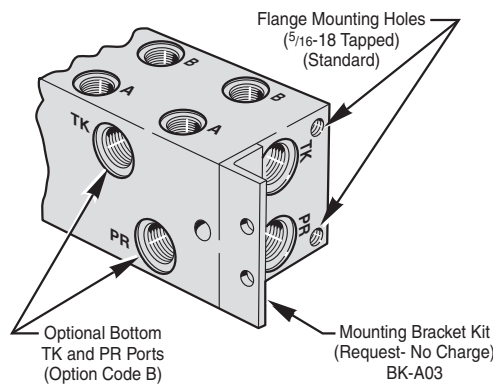
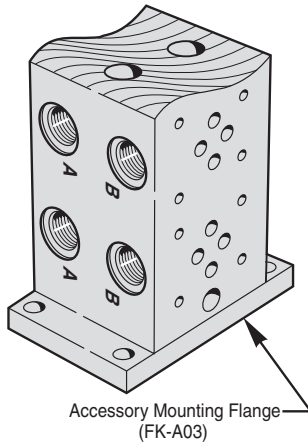


FEATURES AND ADVANTAGES

- * Available with SAE, NPT, BSPP, BSPT or Metric Threads to cover a wide range of applications.
- * Adequate clearance for 5/8" tube fittings.
- * Mounting bolt spacing allows standardized mounting pads.
- * Tank and pressure lines may be connected at either end.



3



MAGNALOY D03 SERIES BAR MANIFOLD PART NUMBER BREAKDOWN

B M - A S S 0 3 S 2 - 0 1 - 0 / B

Product Code
BM-Inline Bar Manifold

Material Code
A - Aluminum
S - Steel

Circuit Code
SS - Series Circuit

NFPA Pattern Code
03 - D03

Thread Code
P - NPTF Pipe
S - SAE O'Ring
B - BSPP British Parallel
T - BSPT British Taper
M - Metric ISO 6149

(See Port Size Chart for Standard Port Sizes)

Options

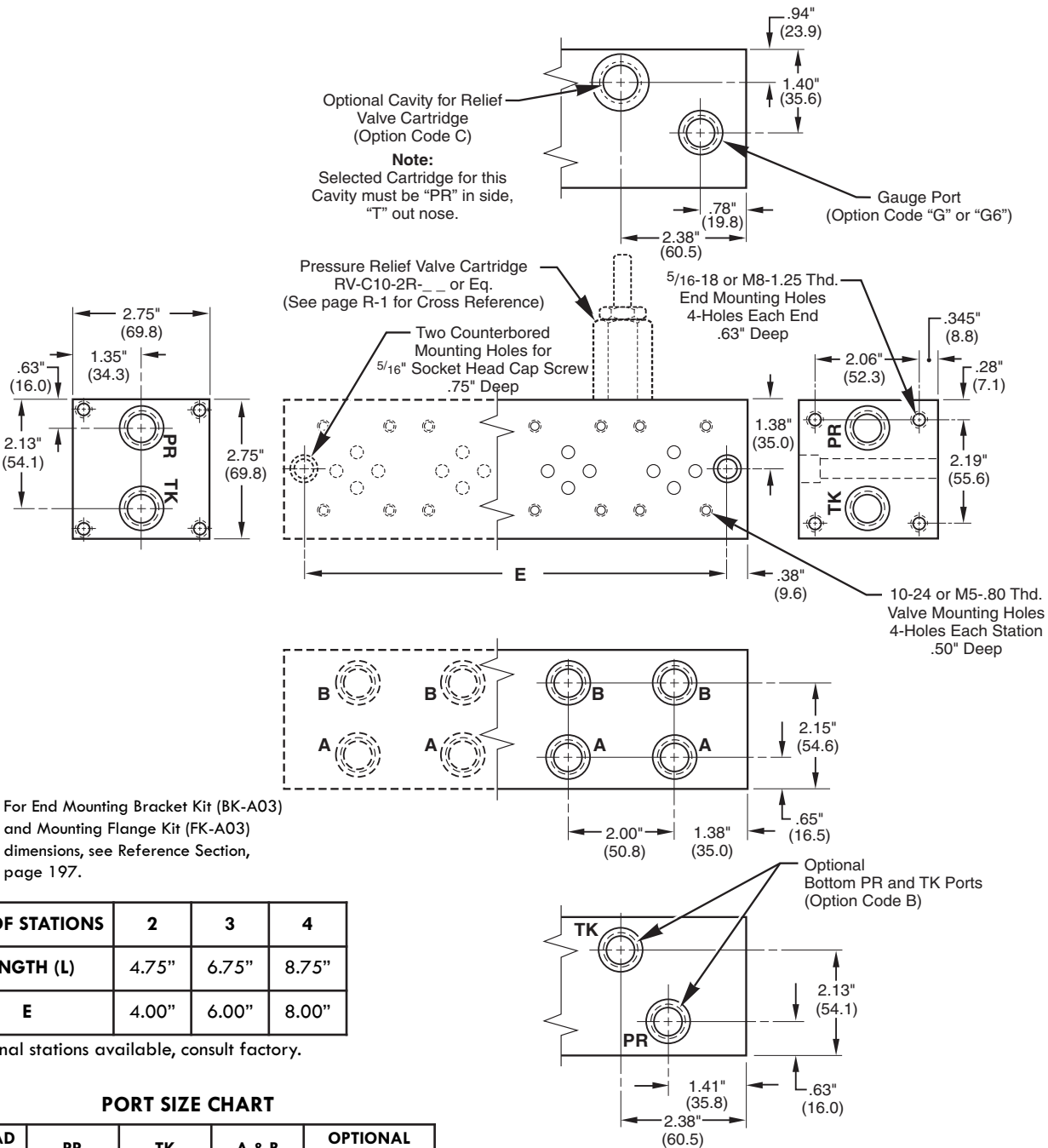
- Z - No Option
- B - Bottom PR-TK Ports
- C - Relief Valve Cavity C-10-2
- G - Gauge Port #4 SAE or 1/4" NPTF
- G6 - Gauge Port #6 SAE
- H - Hard Metric Threading (See Note 2, page 47)
- M - Soft Metric Threading (See Note 3, page 47)

Design Series

Number of Valve Stations
02 - 2 stations
03 - 3 stations
etc.

Valve Spacing Code
2 - 2.00"

Inline Bar Manifold D03 Bar Manifold - Series



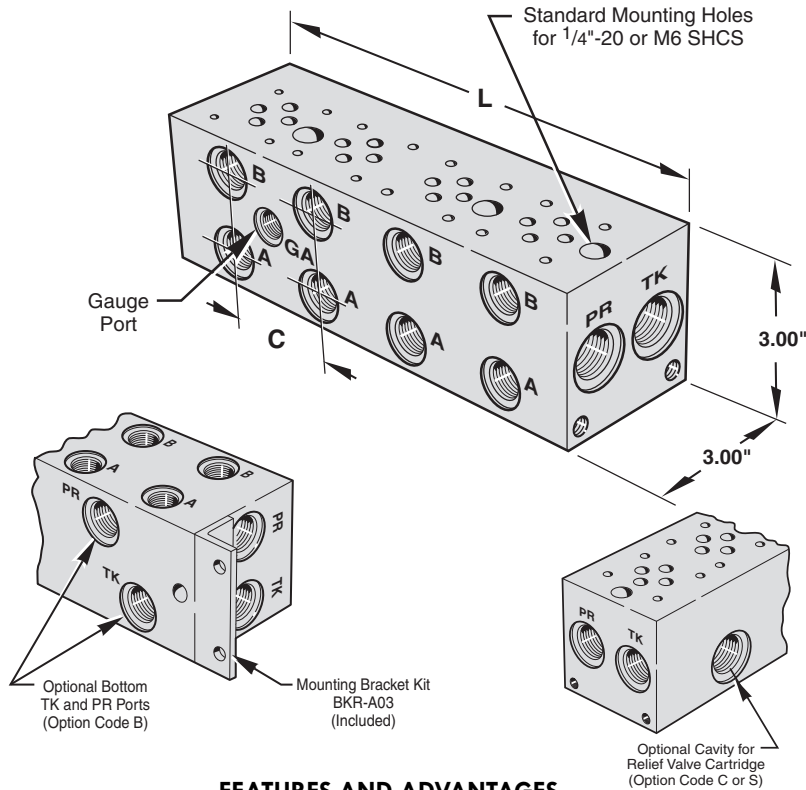
NOTE: For End Mounting Bracket Kit (BK-A03) and Mounting Flange Kit (FK-A03) dimensions, see Reference Section, page 197.

NO. OF STATIONS	2	3	4
LENGTH (L)	4.75"	6.75"	8.75"
E	4.00"	6.00"	8.00"

Additional stations available, consult factory.

PORT SIZE CHART

THREAD CODE	PR	TK	A & B	OPTIONAL GAUGE PORTS
P	1/2" NPT	1/2" NPT	3/8" NPT	1/4" NPT
S	#8 SAE	#8 SAE	#8 SAE	#4 SAE G6 - #6 SAE
B	1/2" BSPP	1/2" BSPP	3/8" BSPP	-
T	1/2" BSPT	1/2" BSPT	3/8" BSPT	-
M	M18	M18	M18	-



DIMENSIONS (2.13" VALVE SPACING)

NO. OF STATIONS	C	L	E	F
1 ¹	--	2.13"	N.A.	--
1 ²	--	3.00"	N.A.	--
2	2.13"	4.25"	2.13"	--
3	2.13"	6.38"	4.25"	--
4	2.13"	8.50"	6.38"	--
5	2.13"	10.63"	8.50"	4.25"
6	2.13"	12.75"	10.63"	4.25"
7	2.13"	14.88"	12.75"	4.25"X 2
8	2.13"	17.00"	14.88"	4.25"X 2
9	2.13"	19.38"	17.00"	6.38"X 2
10	2.13"	21.25"	19.38"	6.38"X 2
11	2.13"	23.38"	21.25"	6.38"X 2
12	2.13"	25.50"	23.38"	6.38"X 3
13	2.13"	27.63"	25.50"	6.38"X 2
14	2.13"	29.75"	27.63"	6.38"X 3

NOTE: 1 - Single Station - No Gauge Port
 2 - Single Station with C or S Option, includes Gauge Port

FEATURES AND ADVANTAGES

- * Available with SAE, NPT, BSPP, BSPT or Metric Threads to cover a wide range of applications.
- * 2 1/8" or 4" valve center options allow the manifold to be sized for specific D03 valve types.
- * Adequate clearance for 5/8" tube fittings.
- * Mounting bolt spacing allows standardized mounting pads.
- * Tank and pressure lines may be connected at either end.
- * Standard Gauge Port is 1/4" NPT with "P" Code and #6 SAE with "S" Code (#4 SEA available with G4 Option.)

DIMENSIONS (4.00" VALVE SPACING)

NO. OF STATIONS	C	L	E	F
2	4.00"	6.13"	4.00"	
3	4.00"	10.13"	8.00"	
4	4.00"	14.13"	12.00"	8.00"
5	4.00"	18.13"	16.00"	8.00"
6	4.00"	22.13"	20.00"	8.00" X 2
7	4.00"	26.13"	24.00"	8.00" X 2

MAGNALOY D03 PARALLEL BAR MANIFOLD PART NUMBER BREAKDOWN

B M R - A S P 0 3 S 2 - 0 1 - 1 / B

Product Code ————
 BMR-Inline Bar Manifold
 Retro Design

Material Code ————
 A - Aluminum
 S - Steel

Circuit Code ————
 SP - Standard Flow Parallel Circuit

NFPA Pattern Code ————
 03 - D03

Thread Code ————
 P - NPTF Pipe
 S - SAE O'Ring
 B - BSPP British Parallel
 T - BSPT British Taper
 M - Metric ISO 6149
(See Port Size Chart for Standard Port Sizes)

Options

- Z - No Option
- B - Bottom PR-TK Ports
- C - Relief Valve Cavity C-10-2
- G4 - Gauge Port #4 SAE
- S - Relief Valve Cavity Sun T-10A
- M - Soft Metric Threading (See Note 3, page 47)
- 1 - Isolation of Station¹ - Show as last option designated (see Note 1, page 39)

Note: For more than two combined options, please consult factory.

Design Series

Number of Valve Stations

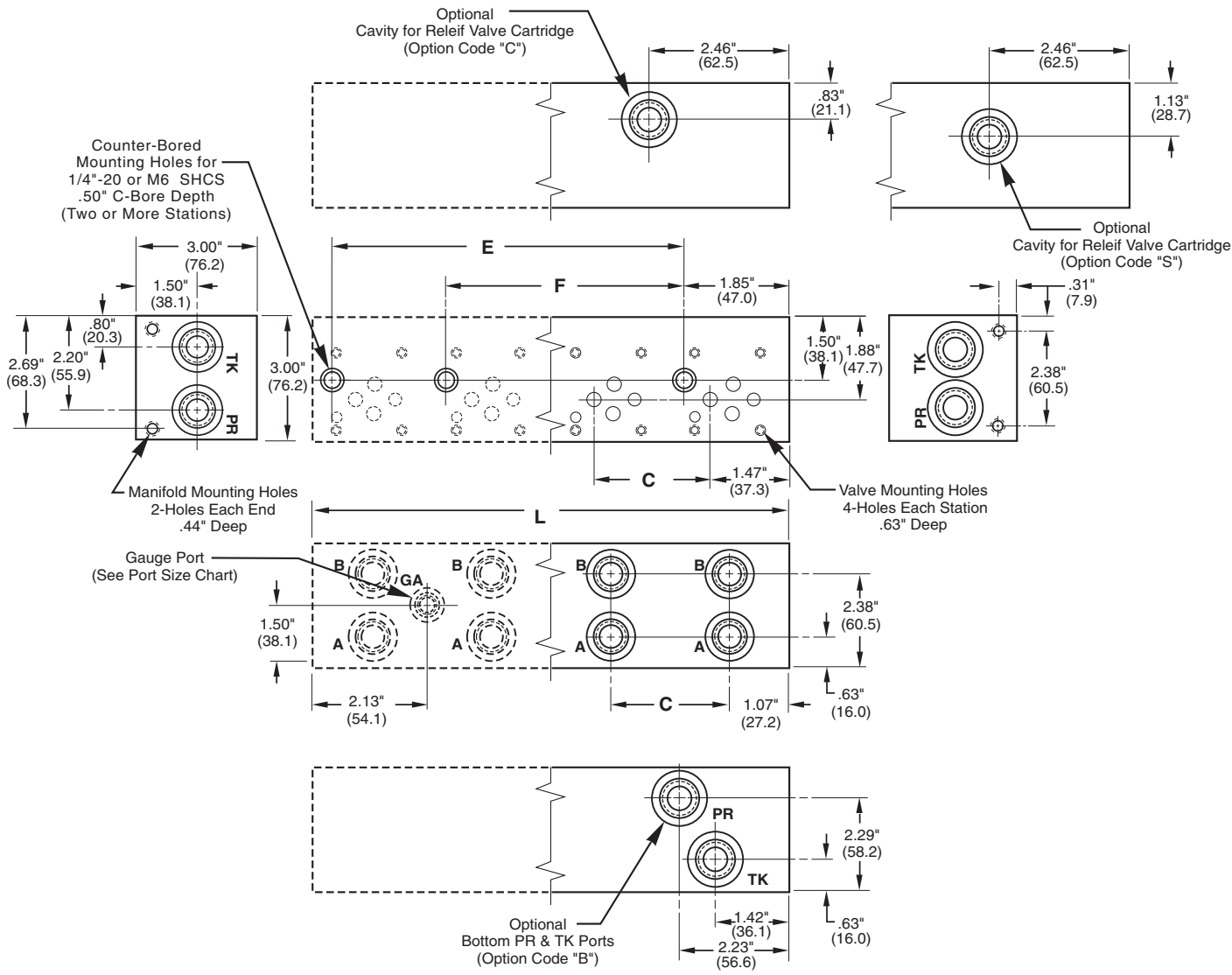
- 02 - 2 stations
- 03 - 3 stations
- etc.

Valve Spacing Code

- 2 - 2.13"
- 4 - 4.00"

Inline Bar Manifold

D03 Retro Design Bar Manifold - Parallel

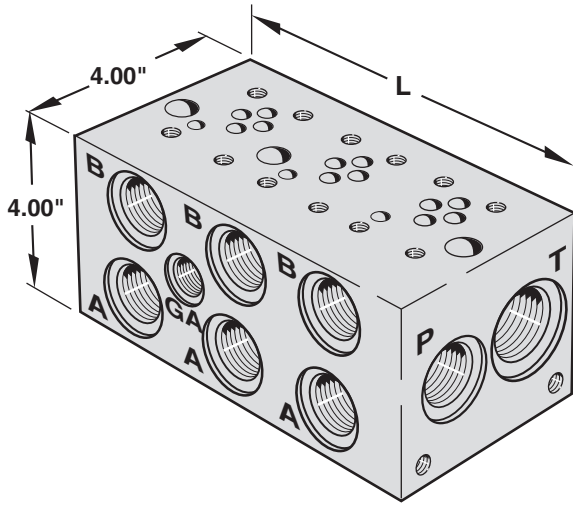


3

PORT SIZE CHART

THREAD CODE	PR	TK	A & B	OPTIONAL GAUGE PORTS	MOUNTING HOLES	
					VALVE	MANIFOLD
P	1/2" NPT	1/2" NPT	3/8" NPT	1/4" NPT	10 - 24 UNC	5/16 - 18 UNC
S	#10 SAE	#10 SAE	#8 SAE	#4 SAE G6 - #6 SAE	10 - 24 UNC	5/16 - 18 UNC
B	1/2" BSPP	1/2" BSPP	3/8" BSPP	-	M5 - .8	M8 - 1.25
T	1/2" BSPT	1/2" BSPT	3/8" BSPT	-	M5 - .8	M8 - 1.25
M	M22	M22	M18	-	M5 - .8	M8 - 1.25

NOTE: For End Mounting Bracket Kit (BKR-A03) dimensions, see Reference Section, page 197.



Dimensions (2.13" Valve Spacing)

No. of Stations	C	L	E	F
1 ¹	--	3.13"	2.38"	-
1 ²	--	4.00"	3.50"	-
2	2.13"	5.25"	4.50"	-
3	2.13"	7.38"	6.63"	-
4	2.13"	9.50"	8.75"	-
5	2.13"	11.63"	10.88"	6.50"
6	2.13"	13.75"	13.00"	6.50"
7	2.13"	15.88"	15.13"	6.50"
8	2.13"	18.00"	17.25"	8.63"
9	2.13"	20.38"	19.38"	8.63"
10	2.13"	22.25"	21.50"	10.75"
11	2.13"	24.38"	23.63"	8.63" & 17.13"
12	2.13"	26.50"	25.75"	8.63" & 17.13"

Note: 1 - Single Station - No Gauge Port
 2 - Single Station with C or S Option, includes Gauge Port.

Dimensions (4.00" Valve Spacing)

No. of Stations	C	L	E	F
2	4.00"	7.13"	6.38"	-
3	4.00"	11.13"	10.38"	-
4	4.00"	15.13"	14.38"	7.18"
5	4.00"	19.13"	18.38"	7.18"
6	4.00"	23.13"	22.38"	11.18"
7	4.00"	27.13"	26.38"	11.18"
8	4.00"	31.13"	30.38"	11.18" & 23.18"

Features & Advantages

- + The higher flow design provides maximum flow rates with minimal pressure drops.
- + 2 1/8" or 4" valve center options allow the manifold to be sized for specific D03 valve types.
- + Standard end mount and through holes make mounting easy and flexible. Also, a mounting bracket kit BKR-AH03 is supplied with the manifold as an alternative mounting style.
- + Available with SAE, NPT, BSPP, BSPT or Metric Threads to cover a wide range of applications.
- + Options include relief valve cavity, bottom PR & TK ports, and gauge ports to fit specific circuit requirements.

3

MAGNALOY D03 PARALLEL BAR MANIFOLD PART NUMBER BREAKDOWN

B M R - S H P 0 3 S 2 - 0 2 - 1 / B

Product Code
 BMR-Inline Bar Manifold
 Retro Design

Material Code
 A - Aluminum
 S - Ductile/Steel

Circuit Code
 HP- High Flow Parallel Circuit

NFPA Pattern Code
 03 - D03

Thread Code
 P - NPTF Pipe
 S - SAE O'Ring
 B - BSPP British Parallel
 T - BSPT British Taper
 M - Metric ISO 6149

(See Port Chart for Standard Port Sizes)

Options

- Z - No Option
- B - Bottom PR-TK Ports (2 or more Stations)
- C - Relief Valve Cavity C-16-2
- G4 - Gauge Port #4 SAE
- S - Relief Valve Cavity Sun T-3A
- M - Soft Metric Threading (See Note 3, page 47)
- I - Isolation of Station¹ - Show as last option designated (see Note 1, page 39)

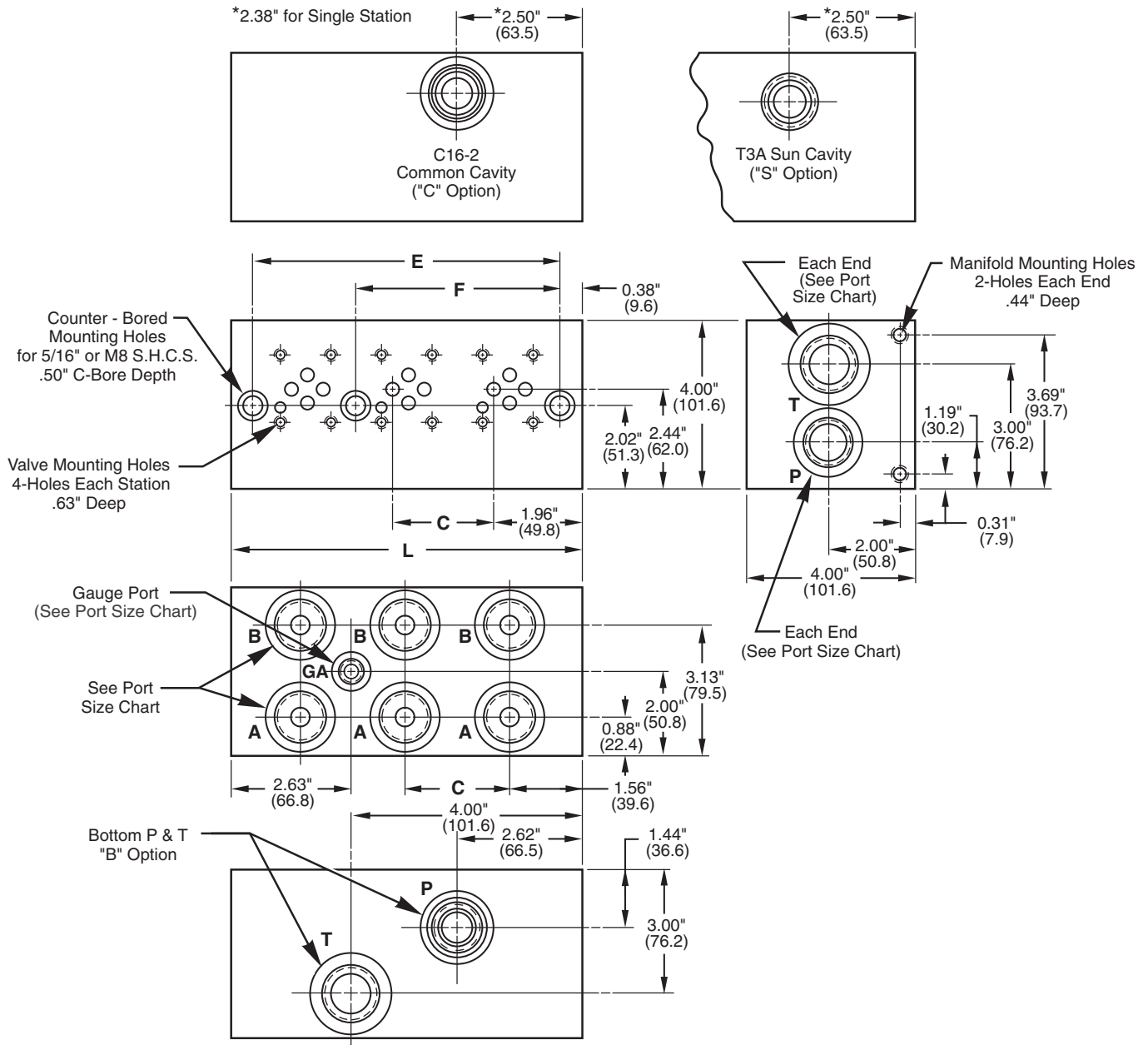
Note: For more than two combined options, please consult factory.

Design Series

- 01 - 1 station
- 02 - 2 stations
- etc.

Valve Spacing Code
 2 - 2.13"
 4 - 4.00"

Inline Bar Manifold D03 High Flow Retro Design Bar Manifold - Parallel

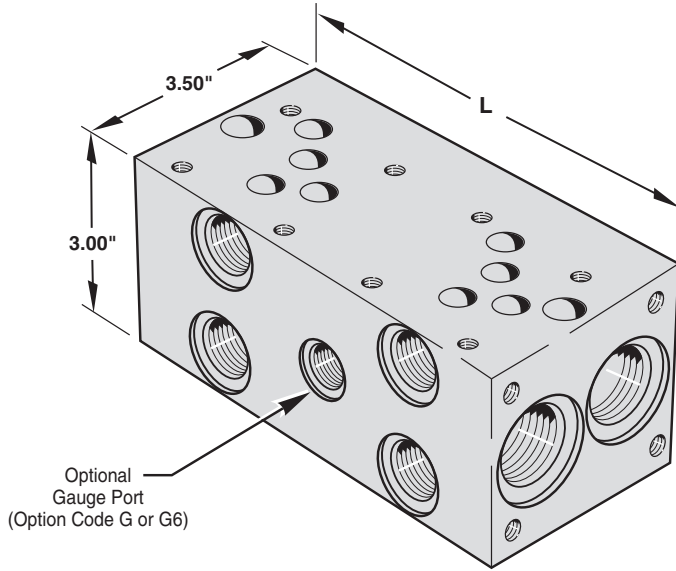


3

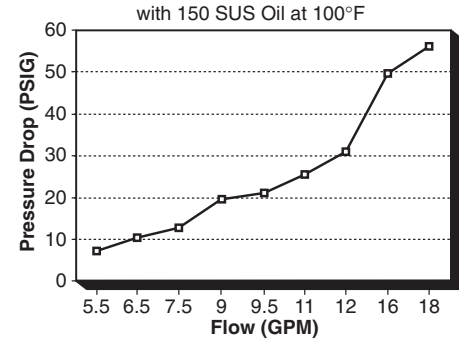
Port Size Chart

Thread Code	PR	TK	A & B	Gauge Ports	Mounting Holes	
					Valve	Manifold
P	3/4" NPT	1" NPT	3/4" NPT	1/4" NPT	10-24 UNC	5/16-18 UNC
S	#12 SAE	#16 SAE	#12 SAE	G4 - #4 SAE #6 SAE	10-24 UNC	5/16-18 UNC
B	3/4" BSPP	1" BSPP	3/4" BSPP	-	M5x.8	M8x1.25
T	3/4" BSPT	1" BSPT	3/4" BSPT	-	M5x.8	M8x1.25
M	M27x2	M33x2	M27x2	-	M5x.8	M8x1.25

Note: For Mounting Bracket Kit (BKR-AH03) dimensions, see Reference Section, page 197.



Flow from P to A/B Port



Dimensions (3.25" Valve Spacing)

No. of Stations	C	L	E	F
1	- -	3.25"	2.75"	-
2	3.25"	6.50"	5.50"	-
3	3.25"	9.75"	8.75"	-
4	3.25"	13.00"	12.00"	-
5	3.25"	16.25"	15.25"	8.50"
6	3.25"	19.50"	18.50"	8.50"
7	3.25"	22.75"	21.75"	8.50"
8	3.25"	26.00"	25.00"	8.50"

Note: For Single Station with C, S, G, G6 or B Option, "L" = 4.25"

Dimensions (5.00" Valve Spacing)

No. of Stations	C	L	E	F
2	5.00"	8.25"	7.25"	-
3	5.00"	13.25"	12.25"	-
4	5.00"	18.25"	17.25"	8.50"
5	5.00"	23.25"	22.25"	8.50"
6	5.00"	28.25"	27.25"	13.50"
7	5.00"	33.25"	32.25"	13.50"

3

Features & Advantages

- + The efficient design provides flow rates with minimal pressure drops.
- + 3 1/4" or 5" valve center options allow the manifold to be sized for specific D05 valve types.
- + Standard end mount and through holes make mounting easy and flexible. Also, (when requested) mounting bracket kit BK-A05 (no charge) or flange mounting kit FK-A05 (additional cost) are available as alternative mounting styles.
- + Available with SAE, NPT, BSPP, BSPT or Metric Threads to cover a wide range of applications.
- + Options include relief valve cavity, bottom PR & TK ports, and gauge ports to fit specific circuit requirements.

MAGNALOY D05 PARALLEL BAR MANIFOLD PART NUMBER BREAKDOWN

B M - S S P 0 5 P 3 - 0 1 - 1 / G

Product Code
BM - Inline Bar Manifold

Material Code
A - Aluminum
S - Ductile/Steel

Circuit Code
SP - Standard Flow Parallel Circuit

NFPA Pattern Code
05 - D05

Thread Code
P - NPTF Pipe
S - SAE O'Ring
B - BSPP British Parallel
T - BSPT British Taper
M - Metric - ISO 6149

(See Port Size Chart for Standard Port Sizes.)

Options

- Z - No Option
- B - Bottom PR-TK Ports
- C - Relief Valve Cavity C-10-2
- G - Gauge Port #4 SAE or 1/4" NPTF
- G6 - Gauge Port #6 SAE
- S - Relief Valve Cavity Sun T-3A
- H - Hard Metric Threading (See Note 2, page 47)
- M - Soft Metric Threading (See Note 3, page 47)
- I - Isolation of Station¹ - Show as last option designated (see Note 1, page 39)

Note: For more than two combined options, please consult factory.

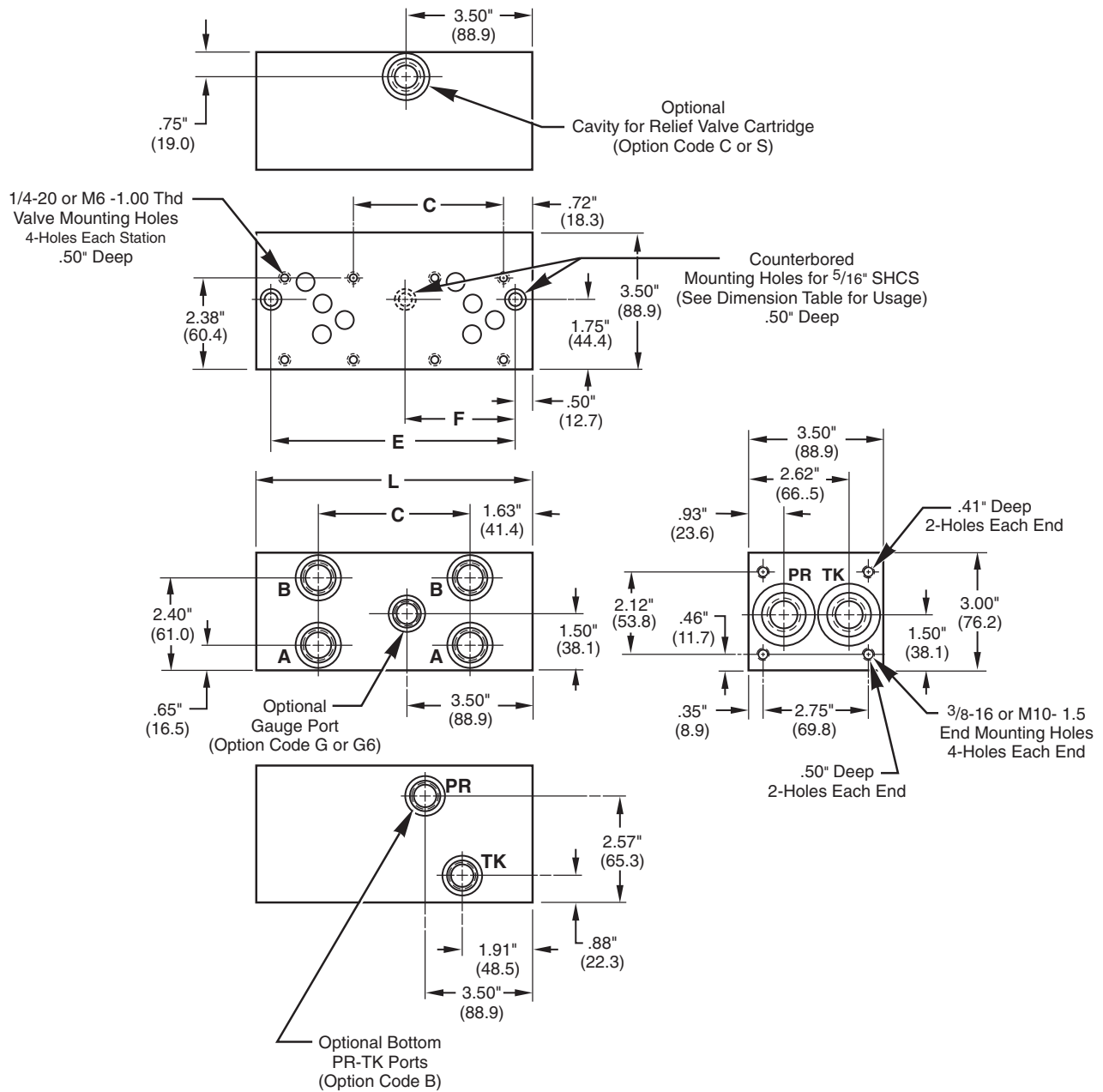
Design Series

- Number of Valve Stations
- 01 - 1 station
- 02 - 2 stations
- etc.

Valve Spacing Code
3 - 3.25"
5 - 5.00"

Inline Bar Manifold

D05 Standard Bar Manifold - Parallel



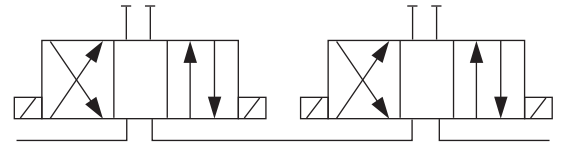
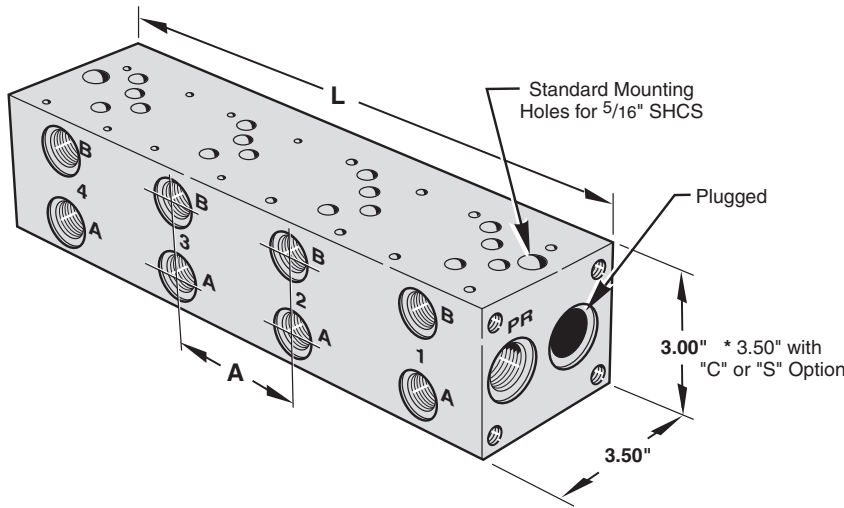
Port Size Chart

Thread Code	PR	TK	A & B	Gauge Ports
P	3/4" NPT	3/4" NPT	1/2" NPT	1/4" NPT
S	#12 SAE	#12 SAE	#8 SAE	G4 - #4 SAE #6 SAE
B	3/4" BSPP	3/4" BSPP	1/2" BSPP	-
T	3/4" BSPT	3/4" BSPT	1/2" BSPT	-
M	M27	M27	M18	-

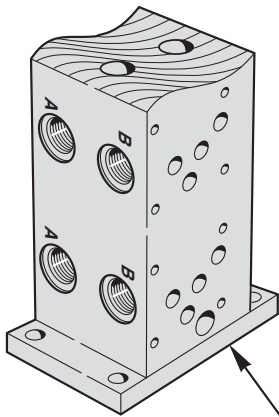
Note: For Mounting Bracket Kit (BK-A05) and Mounting Flange Kit (FK-A05) dimensions, see Reference Section, page 197.

Features & Advantages

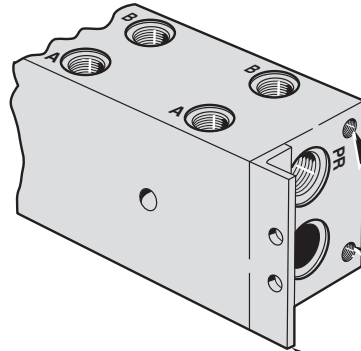
- + Available with SAE, NPT, BSPP, BSPT or Metric Threads to cover a wide range of applications.
- + Adequate clearance for 3/4" tube fittings.
- + Mounting bolt spacing allows standardized mounting pads.



3



Accessory Mounting Flange
(Non "C" or "S" Only)
(FK-A05)



Mounting Bracket Kit
(Request-No Charge)
(BK-A05)

Flange Mounting Holes
(Non "C" or "S" Only)

MAGNALOY D05 SERIES BAR MANIFOLD PART NUMBER BREAKDOWN

B M - A S S 0 5 P 3 - 0 2 - 1 / Z

Product Code
BM - Inline Bar Manifold

Material Code
A - Aluminum
S - Ductile/Steel

Circuit Code
SS - Series Circuit

NFPA Pattern Code
05 - D05

Thread Code
P - NPTF Pipe
S - SAE O'Ring
B - BSPP British Parallel
T - BSPT British Taper
M - Metric ISO 6149

(See Port Size Chart for Standard Port Sizes.)

Options

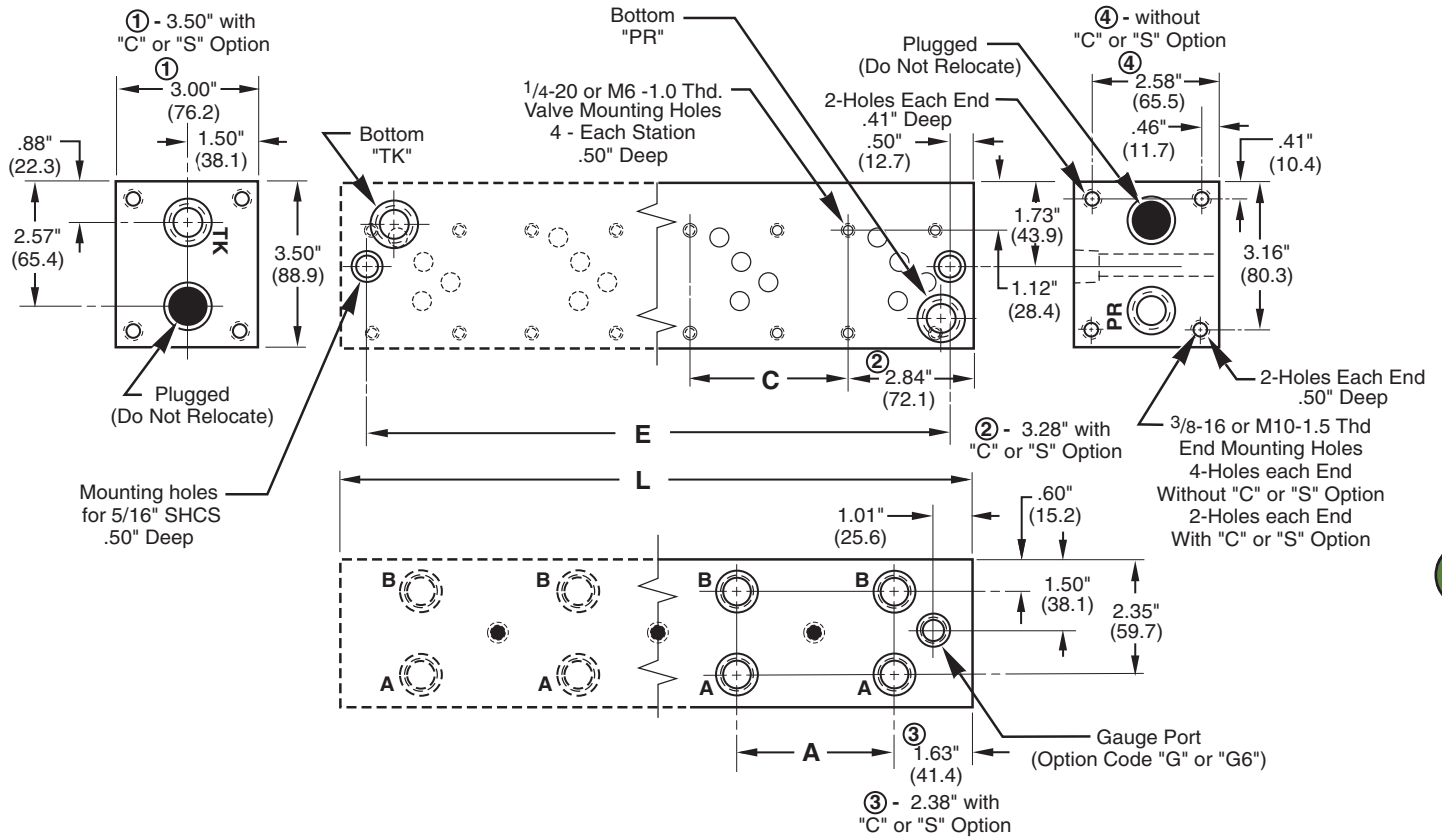
- Z - No Option
- B - Bottom PR-TK Ports
- C - Relief Valve Cavity C-10-2
- G - Gauge Port - #4 SAE or 1/4" NPTF
- G6 - Gauge Port - #6 SAE
- S - Relief Valve Cavity Sun T3A
- M - Soft Metric Threading (See Note 3, page 47)

Design Series

Number of Valve Stations
02 - 2 stations
03 - 3 stations
etc.

Valve Spacing Code
3 - 3.25"
5 - 5.00"

Inline Bar Manifold D05 Bar Manifold - Series



3

Without "C" or "S" Option

Number of Stations	A/C		E		L	
	Valve Spacing		Valve Spacing		Valve Spacing	
	3.25"	5.00"	3.25"	5.00"	3.25"	5.00"
2	3.25"	5.00"	5.50"	7.25"	6.50"	8.25"
3	3.25"	5.00"	8.75"	12.25"	9.75"	13.25"
4	3.25"	5.00"	12.00"	17.25"	13.00"	18.25"

With "C" or "S" Option

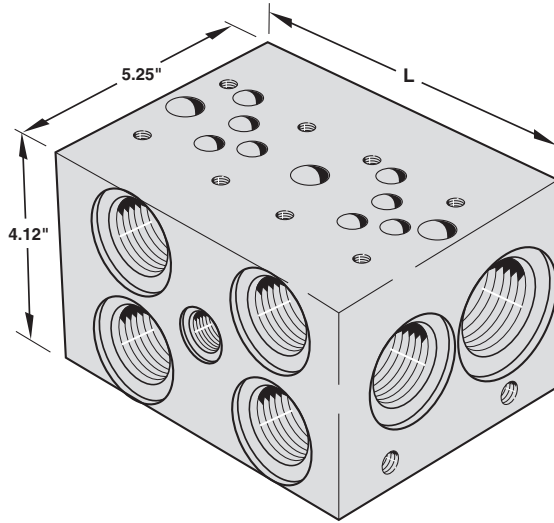
Number of Stations	A/C		E		L	
	Valve Spacing		Valve Spacing		Valve Spacing	
	3.25"	5.00"	3.25"	5.00"	3.25"	5.00"
2	3.25"	5.00"	6.50"	8.25"	7.50"	9.25"
3	3.25"	5.00"	9.75"	13.25"	10.75"	14.25"
4	3.25"	5.00"	13.00"	18.25"	14.00"	19.25"

Additional stations available, consult factory.

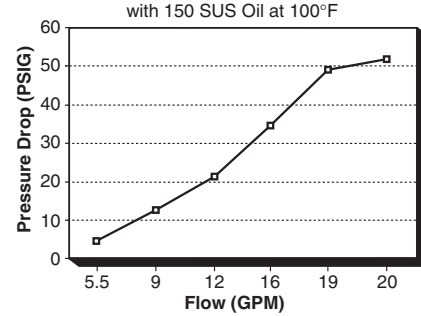
Port Size Chart

Thread Code	PR	TK	A & B	Optional Gauge Ports
P	3/4" NPT	3/4" NPT	1/2" NPT	1/4" NPT
S	#12 SAE	#12 SAE	#8 SAE	#4 SAE G6 - #6 SAE
B	3/4" BSPP	3/4" BSPP	1/2" BSPP	-
T	3/4" BSPT	3/4" BSPT	1/2" BSPT	-
M	M27	M27	M18	-

Note: For **Mounting Bracket Kit** (BK-A05) and **Mounting Flange Kit** (FK-A05) dimensions, see Reference Section, page 197



Flow from P to A/B Port



Dimensions (3.25" Valve Spacing)

No. of Stations	C	L*	E	F
1	- -	3.75"	2.45"	-
2	3.25"	6.50"	5.70"	-
3	3.25"	9.75"	8.95"	-
4	3.25"	13.00"	12.20"	6.50"
5	3.25"	16.25"	15.45"	6.50"
6	3.25"	19.50"	18.70"	6.50" & 13.00"
7	3.25"	22.75"	21.95"	6.50" & 13.00"

* Note: For Single Station with C, S, G, G6 or B Option, "L" = 4.75"

Dimensions (5.00" Valve Spacing)

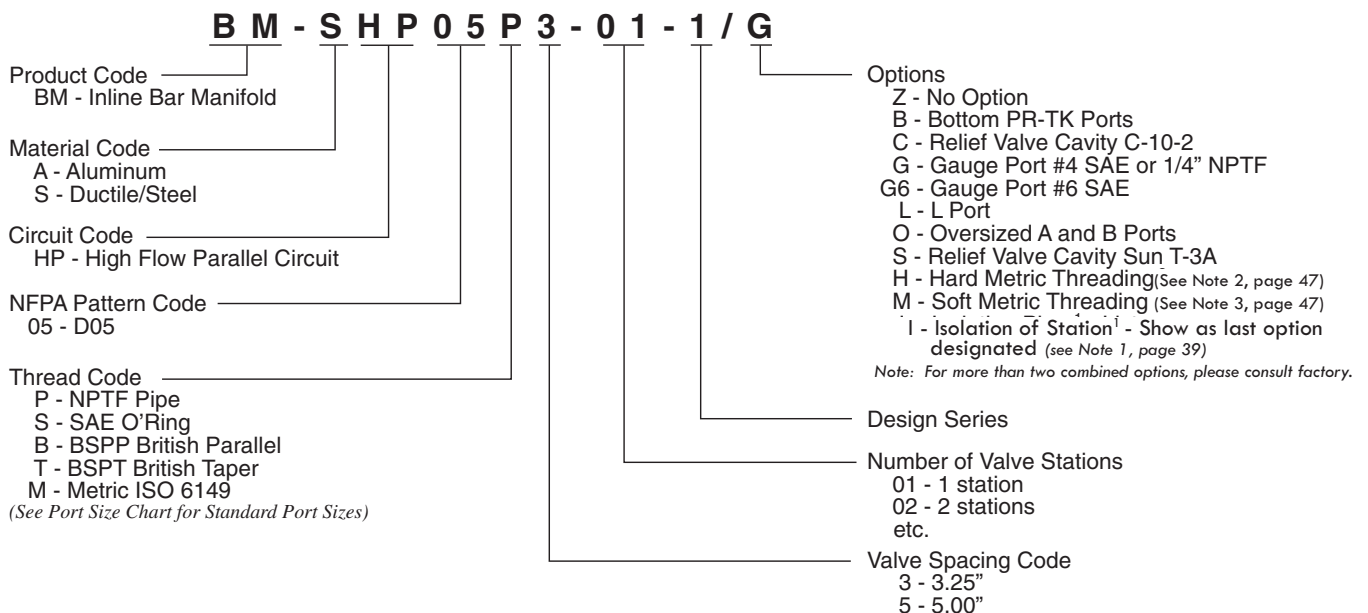
No. of Stations	C	L	E	F
2	5.00"	8.25"	7.45"	-
3	5.00"	13.25"	12.45"	-
4	5.00"	18.25"	17.45"	10.00"
5	5.00"	23.25"	22.45"	10.00"
6	5.00"	28.25"	27.45"	10.00" & 20.00"
7	5.00"	33.25"	32.45"	10.00" & 20.00"

Features & Advantages

- + The high flow design provides flow rates with minimal pressure drops.
- + 3 1/4" or 5" valve center options allow the manifold to be sized for specific D05 valve types.
- + Standard end mount and through holes make mounting easy and flexible. Also, (when requested) mounting bracket kit BK-A05 (no charge) is supplied as alternative end mounting style.
- + Available with SAE, NPT, BSPP, BSPT or Metric Threads to cover a wide range of applications.
- + Options include relief valve cavity, bottom PR & TK ports, and gauge port to fit specific circuit requirements.

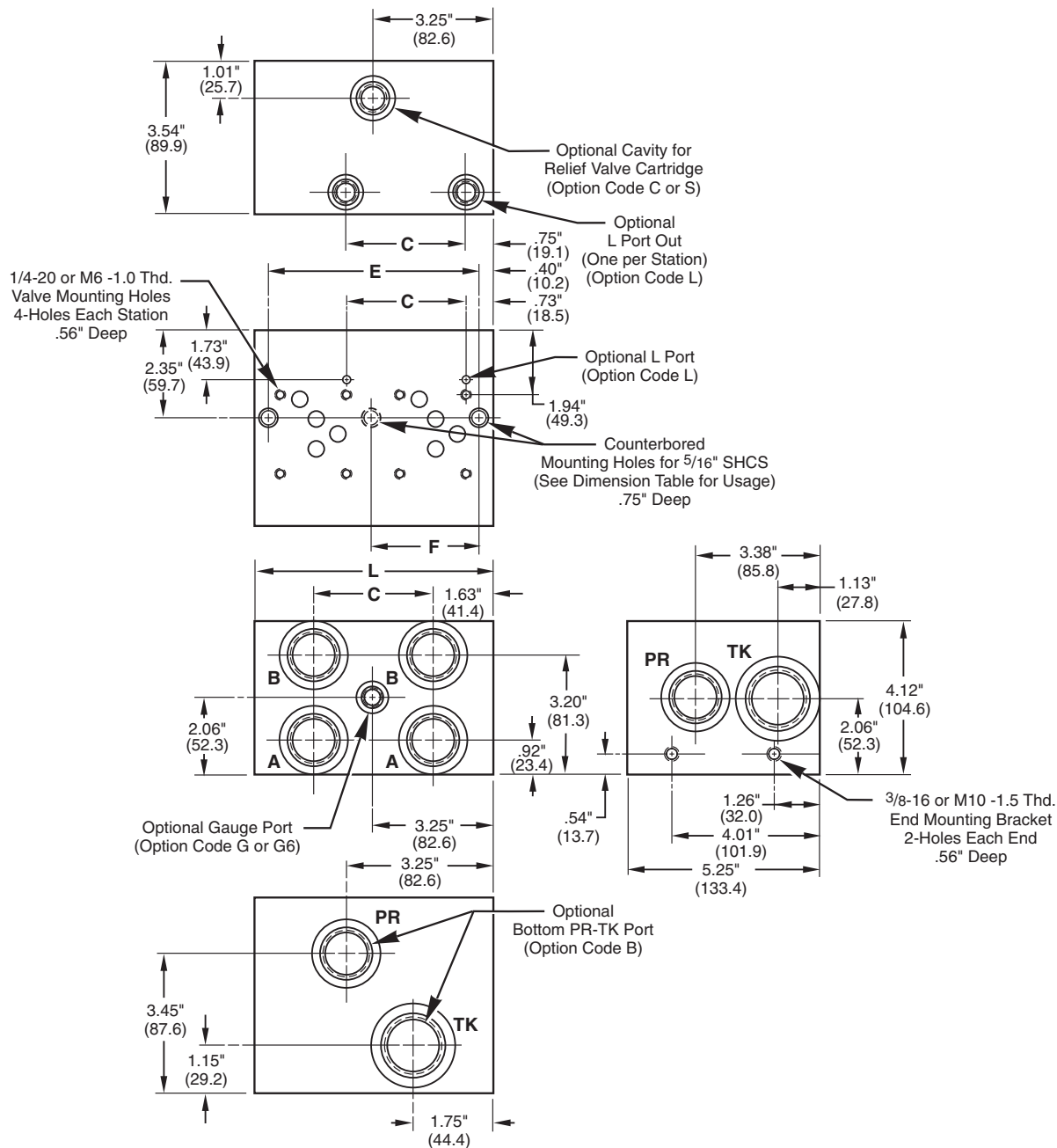
3

MAGNALOY D05 PARALLEL BAR MANIFOLD PART NUMBER BREAKDOWN



Inline Bar Manifold

D05 High Flow Bar Manifold - Parallel

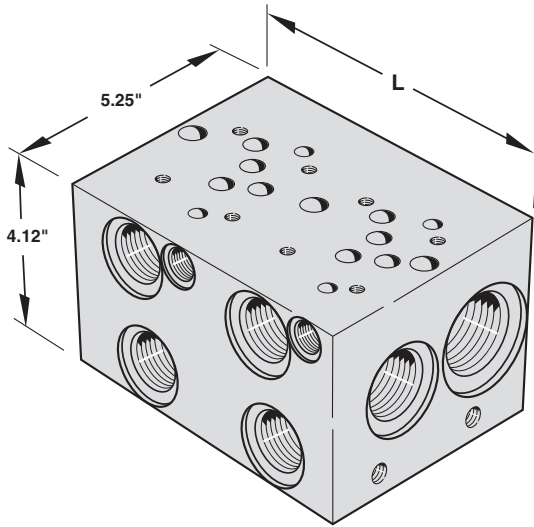


3

Port Size Chart

Thread Code	PR	TK	A & B	A & B (Oversize Option)	L Port	Optional Gauge Ports
P	1" NPT	1 1/4" NPT	3/4" NPT	1" NPT	1/4" NPT	1/4" NPT
S	#16 SAE	#20 SAE	#12 SAE	#16 SAE	#4 SAE	#4 SAE G6 - #6 SAE
B	1" BSPP	1 1/4" BSPP	3/4" BSPP	1" BSPP	1/4" BSPP	-
T	1" BSPT	1 1/4" BSPT	3/4" BSPT	1" BSPT	1/4" BSPT	-
M	M33	M42	M27	M33	M12	-

Note: For **Mounting Bracket Kit (BK-A05)** dimensions, see Reference Section, page 197.



Features & Advantages

3

- + The high flow design provides flow rates with minimal pressure drops.
- + 3 1/4" or 5" valve center options allow the manifold to be sized for specific D05 valve types.
- + Standard end mount and through holes make mounting easy and flexible. Also, (when requested) mounting bracket kit BK-A05 (no charge) is supplied as alternative end mounting style.
- + Available with SAE, NPT, BSPP, BSPT or Metric Threads to cover a wide range of applications.
- + Options include relief valve cavity, bottom PR & TK ports, and gauge port to fit specific circuit requirements.

Dimensions (3.25" Valve Spacing)

No. of Stations	C	L*	E	F
1	- -	3.75"	2.45"	-
2	3.25"	6.50"	5.70"	-
3	3.25"	9.75"	8.95"	-
4	3.25"	13.00"	12.20"	6.50"
5	3.25"	16.25"	15.45"	6.50"
6	3.25"	19.50"	18.70"	6.50" & 13.00"
7	3.25"	22.75"	21.95"	6.50" & 13.00"

* Note: For Single Station with C, S, G, G6 or B Option, "L" = 4.75"

Dimensions (5.00" Valve Spacing)

No. of Stations	C	L	E	F
2	5.00"	8.25"	7.45"	-
3	5.00"	13.25"	12.45"	-
4	5.00"	18.25"	17.45"	10.00"
5	5.00"	23.25"	22.45"	10.00"
6	5.00"	28.25"	27.45"	10.00" & 20.00"
7	5.00"	33.25"	32.45"	10.00" & 20.00"

MAGNALOY D05E ALT. A PARALLEL BAR MANIFOLD PART NUMBER BREAKDOWN

B M - S H P 5 E P 3 - 0 1 - 1 / G

Product Code
BM - Inline Bar Manifold

Material Code
A - Aluminum
S - Ductile/Steel

Circuit Code
HP - High Flow Parallel Circuit

NFPA Pattern Code
5E - D05E Alt. A

Thread Code
P - NPTF Pipe
S - SAE O'Ring
B - BSPP British Parallel
T - BSPT British Taper
M - Metric ISO 6149
(See Port Size Chart for Standard Port Sizes)

Valve Spacing Code
3 - 3.25"
5 - 5.00"

Options

- Z - No Option
- B - Bottom PR-TK Ports
- C - Relief Valve Cavity C-10-2
- G - Gauge Port #4 SAE or 1/4 NPTF
- G6 - Gauge Port #6 SAE
- S - Relief Valve Cavity Sun T-3A
- H - Hard Metric Threading (See Note 2, page 47)
- M - Soft Metric Threading (See Note 3, page 47)
- I - Isolation of Station¹ - Show as last option designated (see Note 1, page 39)

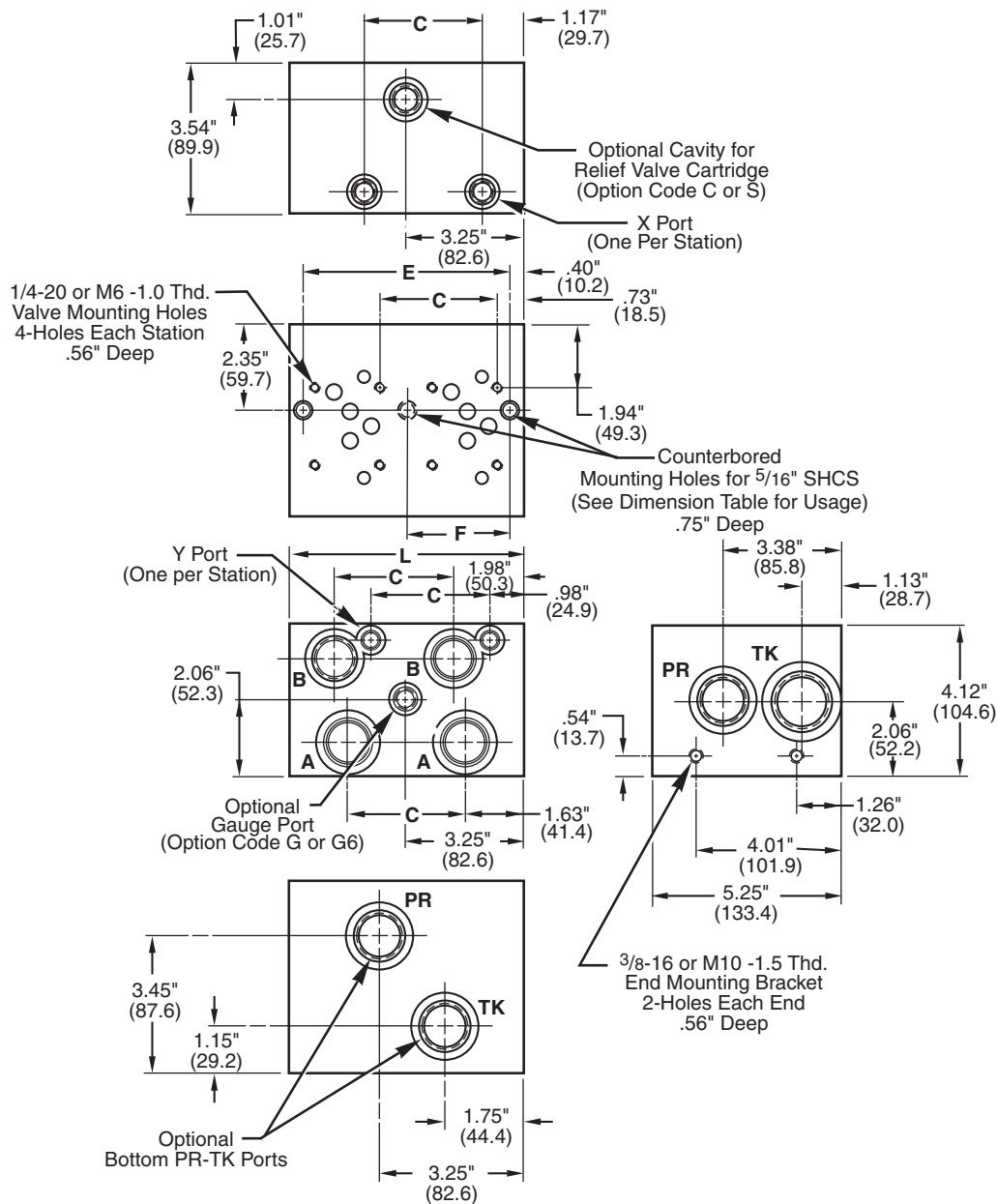
Note: For more than two combined options, please consult factory.

Design Series

- 01 - 1 station
- 02 - 2 stations
- etc.

Inline Bar Manifold

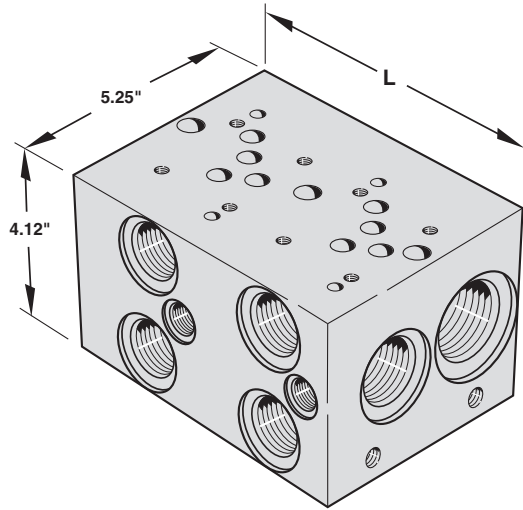
D05 E Alt. A Bar Manifold - Parallel



Note: For **Mounting Bracket Kit (BK-A05)** dimensions, see Reference Section, page 197

Port Size Chart

Thread Code	PR	TK	A & B	Optional Gauge Ports	X & Y
P	1" NPT	1 1/4" NPT	3/4" NPT	1/4" NPT	1/4" NPT
S	#16 SAE	#20 SAE	#12 SAE	#4 SAE G6 - #6 SAE	#4 SAE
B	1" BSPP	1 1/4" BSPP	3/4" BSPP	-	1/4" BSPP
T	1" BSPT	1 1/4" BSPT	3/4" BSPT	-	1/4" BSPT
M	M33	M42	M27	-	M12



Features & Advantages

3

- + The high flow design provides flow rates with minimal pressure drops.
- + 3 1/4" or 5" valve center options allow the manifold to be sized for specific D05 valve types.
- + Standard end mount and through holes make mounting easy and flexible. Also, (when requested) mounting bracket kit BK-A05 (no charge) is supplied as alternative end mounting style.
- + Available with SAE, NPT, BSPP, BSPT or Metric Threads to cover a wide range of applications.
- + Options include relief valve cavity, bottom PR & TK ports, and gauge port to fit specific circuit requirements.

Dimensions (3.25" Valve Spacing)

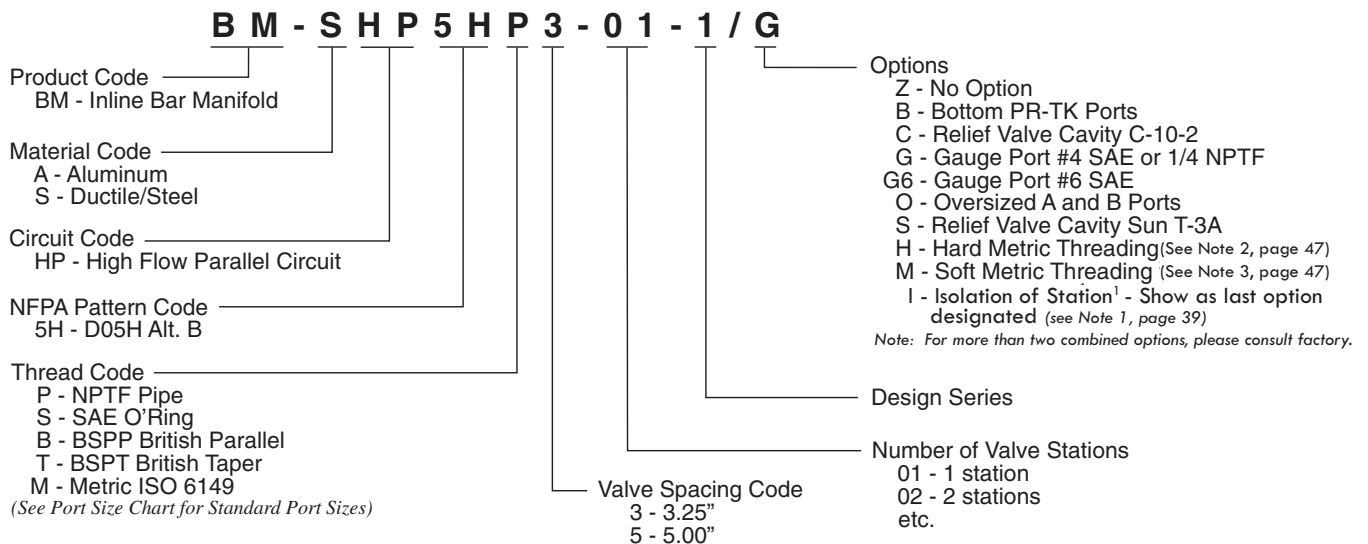
No. of Stations	C	L*	E	F
1	- -	3.75"	2.45"	-
2	3.25"	6.50"	5.70"	-
3	3.25"	9.75"	8.95"	-
4	3.25"	13.00"	12.20"	6.50"
5	3.25"	16.25"	15.45"	6.50"
6	3.25"	19.50"	18.70"	6.50" & 13.00"
7	3.25"	22.75"	21.95"	6.50" & 13.00"

* Note: For Single Station with C, S, G, G6 or B Option, "L" = 4.75"

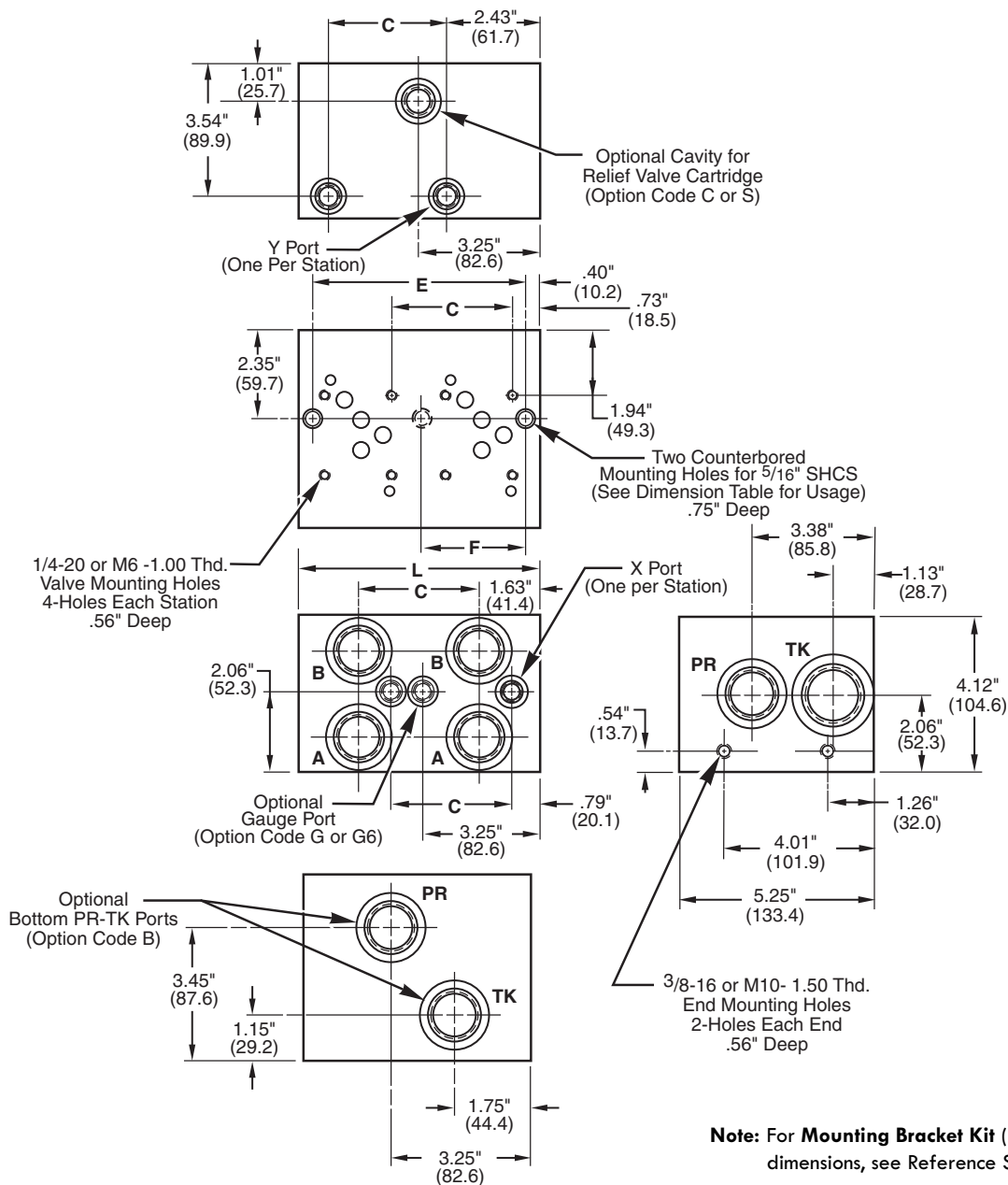
Dimensions (5.00" Valve Spacing)

No. of Stations	C	L	E	F
2	5.00"	8.25"	7.45"	-
3	5.00"	13.25"	12.45"	-
4	5.00"	18.25"	17.45"	10.00"
5	5.00"	23.25"	22.45"	10.00"
6	5.00"	28.25"	27.45"	10.00" & 20.00"
7	5.00"	33.25"	32.45"	10.00" & 20.00"

MAGNALOY D05H ALT. B PARALLEL BAR MANIFOLD PART NUMBER BREAKDOWN



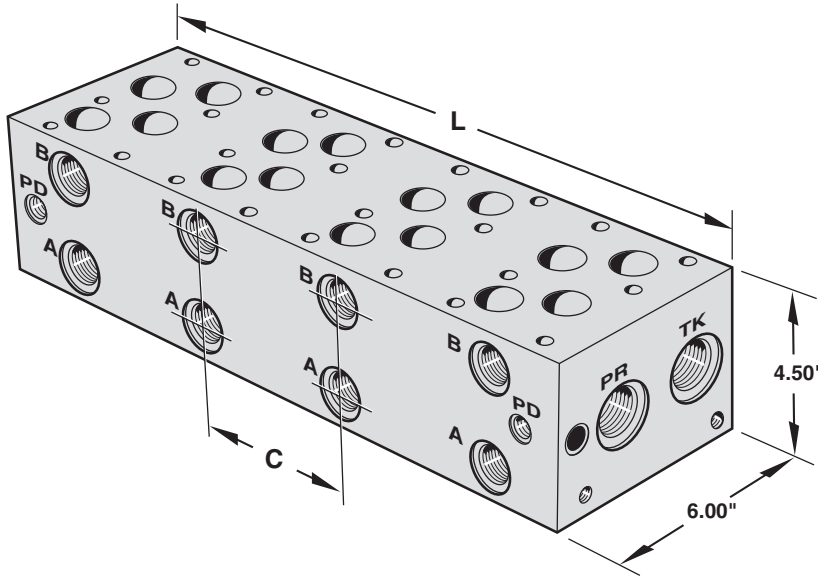
Inline Bar Manifold D05 H Alt. B Bar Manifold - Parallel



Note: For Mounting Bracket Kit (BK-A05) dimensions, see Reference Section, page 197

Port Size Chart

Thread Code	PR	TK	A & B	A & B (Oversize Option)	Optional Gauge Ports	X & Y
P	1" NPT	1 1/4" NPT	3/4" NPT	1" NPT	1/4" NPT	1/4" NPT
S	#16 SAE	#20 SAE	#12 SAE	#16 SAE	#4 SAE G6 - #6 SAE	#4 SAE
B	1" BSPP	1 1/4" BSPP	3/4" BSPP	1" BSPP	-	1/4" BSPP
T	1" BSPT	1 1/4" BSPT	3/4" BSPT	1" BSPT	-	1/4" BSPT
M	M33	M42	M27	M33	-	M12

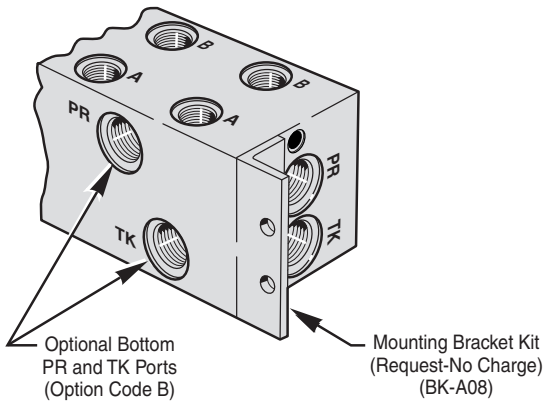


Features & Advantages

- + Available with SAE, NPT, BSPP, BSPT or Metric Threads to cover a wide range of applications.
- + Large pressure and tank passage for maximum flow capacity.
- + Common pilot drain connection.
- + Standard end mount and through holes. Mounting Bracket kit BK-A08 is supplied (no charge) as an alternate end mounting style.
- + Options include relief valve cavities, bottom PR & TK ports, and gauge port and PR & TK isolation.

3

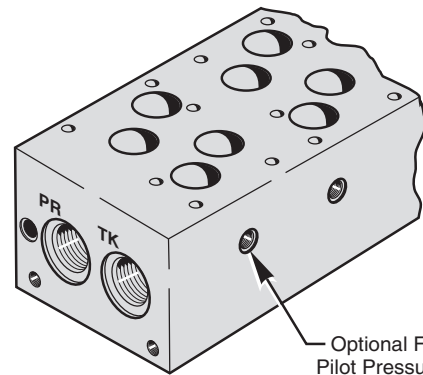
Standard Mounting Bracket Kit



Optional Bottom PR and TK Ports (Option Code B)

Mounting Bracket Kit (Request-No Charge) (BK-A08)

Optional Pilot Pressure Ports



Optional Feature Pilot Pressure Ports (Option Code P)

MAGNALOY D08 PARALLEL BAR MANIFOLD PART NUMBER BREAKDOWN

B M - A S P 0 8 P 5 - 0 2 - 0 / B

Product Code
BM-Inline Bar Manifold

Material Code
A - Aluminum
S - Ductile/Steel

Circuit Code
SP - Standard Flow Parallel Circuit

NFPA Pattern Code
08 - D08

Thread Code
P - NPTF Pipe
S - SAE O'Ring
B - BSPP British Parallel
T - BSPT British Taper
M - Metric ISO 6149

(See Port Chart for Standard Port Sizes)

Options

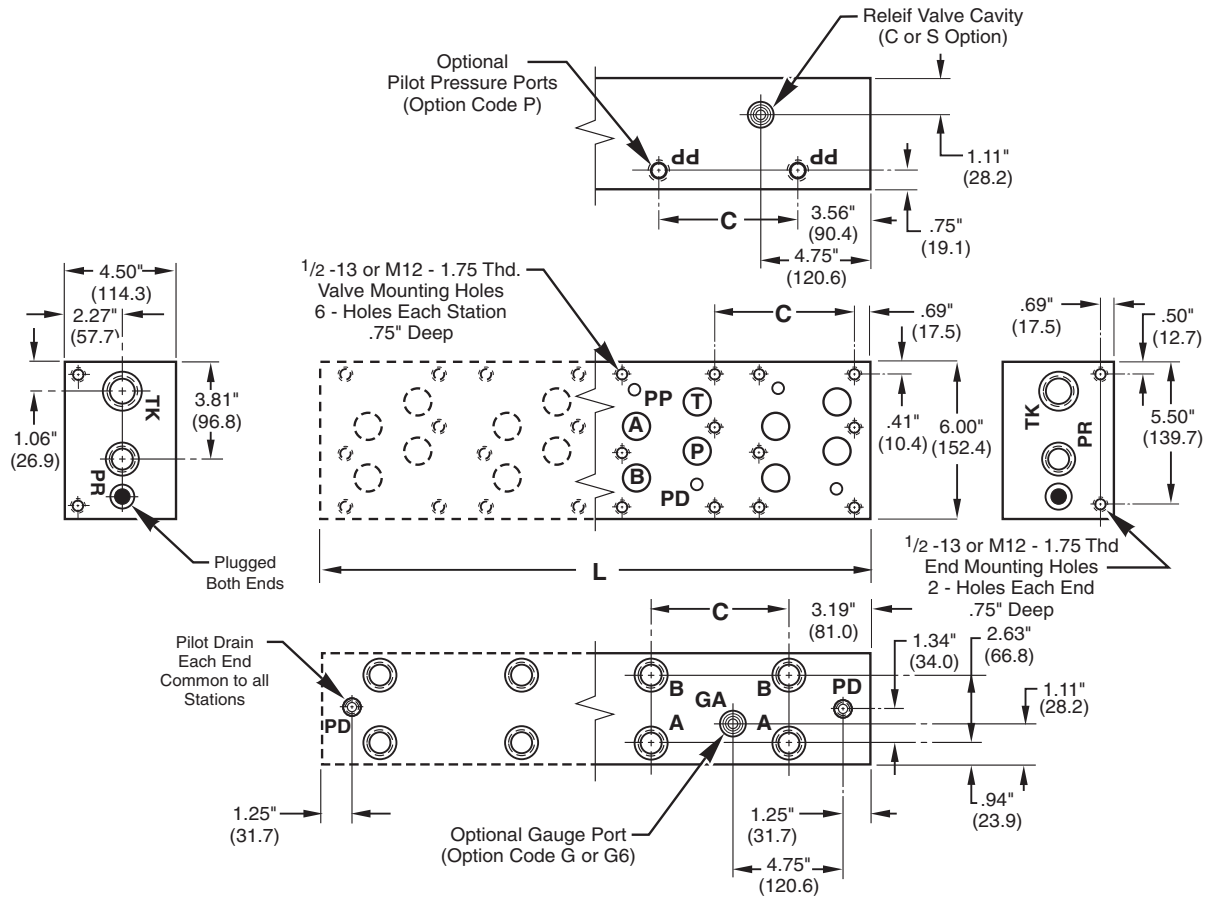
- Z - No Option
- B - Bottom PR-TK Ports
- C - Relief Valve Cavity C-10-2
- G - Gauge Port #4 SAE or 1/4 NPTF
- G6 - Gauge Port #6 SAE
- P - Pilot Pressures (Individual Per Station)
- S - Relief Valve Cavity Sun T-3A
- H - Hard Metric Threading (See Note 2, page 47)
- M - Soft Metric Threading (See Note 3, page 47)
- I - Isolation of Station¹ - Show as last option designated (see Note 1, page 39)

Design Series

Number of Valve Stations
01 - 1 station
02 - 2 stations
etc.

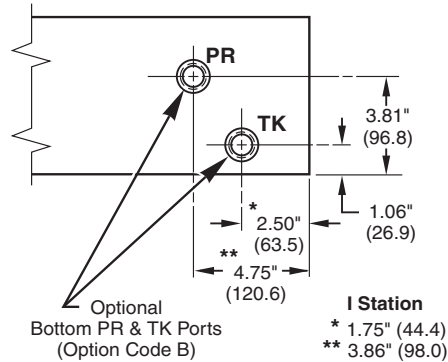
Valve Spacing Code
5 - 5.25"
7 - 7.00"

Inline Bar Manifold D08 Bar Manifold - Parallel



No. of Stations	C		L	
	Valve Spacing		Valve Spacing	
	5.25"	7.00"	5.25"	7.00"
1	--	--	5.56"	--
2	5.25"	7.00"	10.81"	12.56"
3	5.25"	7.00"	16.06"	19.56"
4	5.25"	7.00"	21.31"	26.56"
5	5.25"	7.00"	26.56"	--
6	5.25"	7.00"	31.81"	--

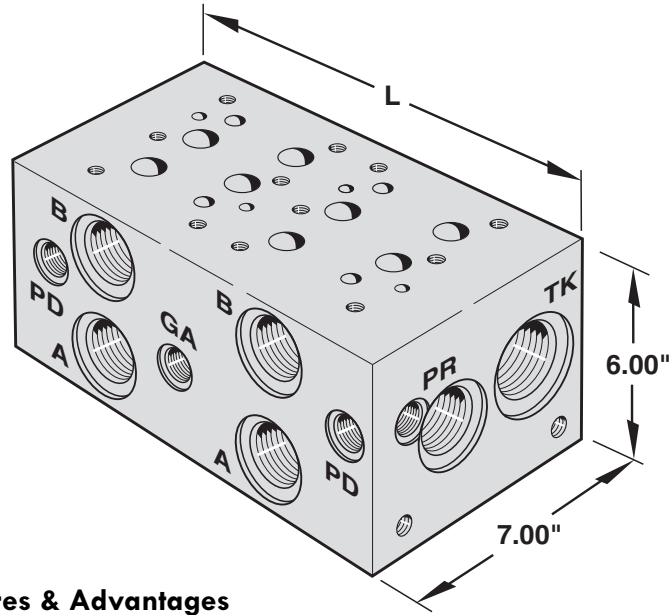
Additional stations available, consult factory.



Port Size Chart

Thread Code	PR	TK	A & B	PD & Pilot Pressure Ports	Optional Gauge Port
P	1" NPT	1 1/4" NPT	1" NPT	3/8" NPT	1/4" NPT
S	#16 SAE	#20 SAE	#16 SAE	#6 SAE	#4 SAE G6 - #6 SAE
B	1" BSPP	1 1/4" BSPP	1" BSPP	3/8" BSPP	-
T	1" BSPT	1 1/4" BSPT	1" BSPT	3/8" BSPT	-
M	M33	M42	M33	M14	-

NOTE: For Mounting Bracket Kit (BK-A08) dimensions, see Reference Section, page 197



Features & Advantages

- 3** + The high flow design provides maximum flow rates with minimum pressure drops.
- + 5 1/4" or 7" valve center option allow the manifold to be sized for specific D08 valve types.
- + Standard end mounting holes make mounting easy and flexible. Also, a mounting bracket kit (BKR-A08) is supplied with the manifold.
- + Available with SAE, NPT, BSPP, BSPT or Metric Threads to cover a wide range of applications.
- + Options include relief valve cavity, bottom PR & TK ports, and 'PR' isolation to fit specific circuit requirements.
- + Standard Gauge Port is 1/4" NPT with "P" code and #6 SAE with "S" Code (#4 SAE available with G4 option).

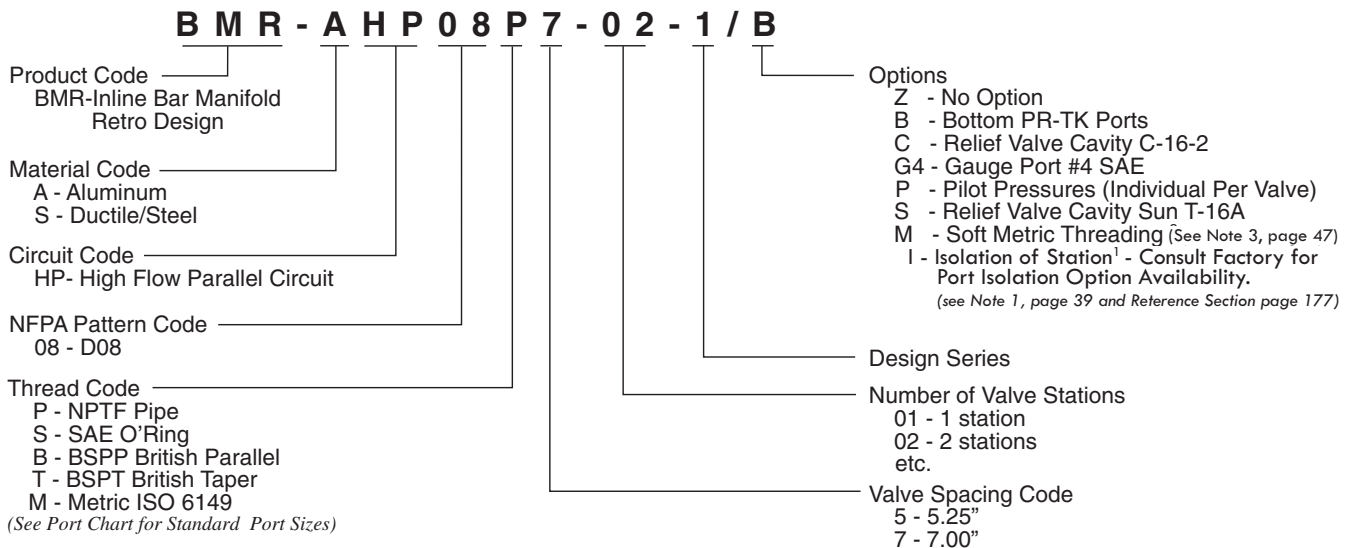
Dimensions (5.25" Valve Spacing)

No. of Stations	C	L
1	--	6.25"
2	5.25"	11.50"
3	5.25"	16.75"
4	5.25"	22.00"
5	5.25"	27.25"
6	5.25"	32.50"

Dimensions (7.00" Valve Spacing)

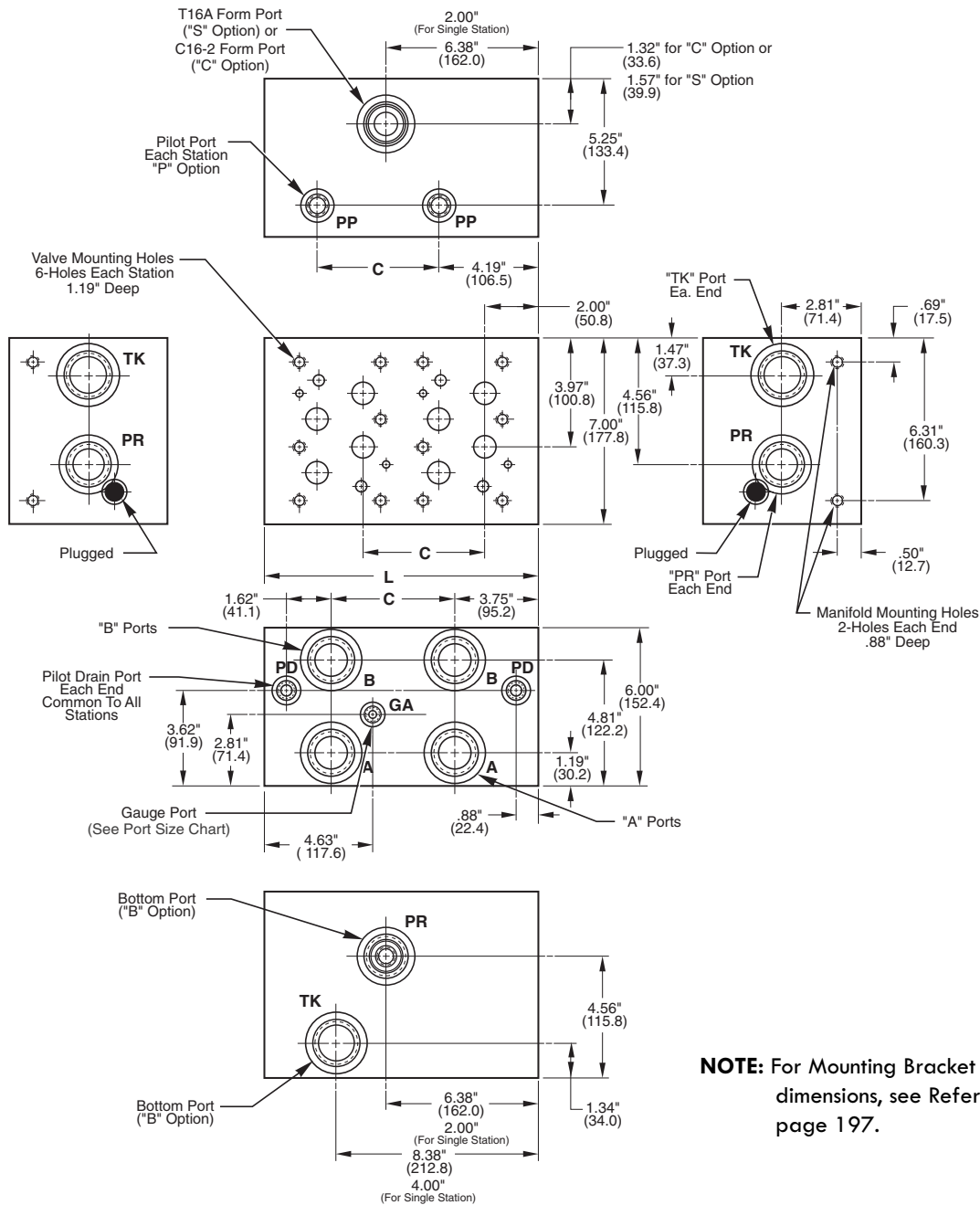
No. of Stations	C	L
2	7.00"	13.25"
3	7.00"	20.25"
4	7.00"	27.25"
5	7.00"	34.25"

MAGNALOY D08 PARALLEL BAR MANIFOLD PART NUMBER BREAKDOWN



Inline Bar Manifold

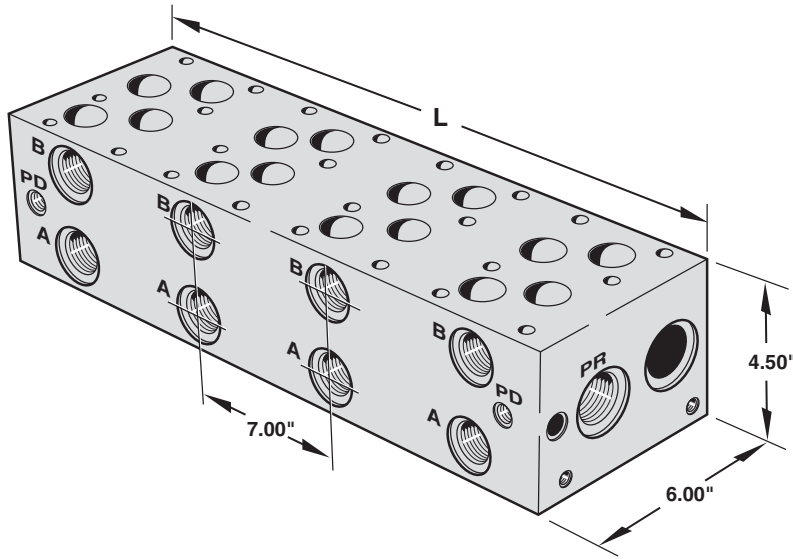
D08 High Flow Retro Design Bar Manifold - Parallel



NOTE: For Mounting Bracket Kit (BKR-A08) dimensions, see Reference Section, page 197.

Port Size Chart

Thread Code	PR	TK	A & B	Pilots		Gauge Port	Mounting Holes	
				PD	PP		Valve	Manifold
P	1 1/4" NPT	1 1/2" NPT	1 1/4" NPT	1/2" NPT	1/4" NPT	1/4" NPT	1/2-13 UNC	1/2-13 UNC
S	#20 SAE	#24 SAE	#20 SAE	#8 SAE	#4 SAE	G4 - #4 SAE #6 SAE	1/2-13 UNC	1/2-13 UNC
B	1 1/4" BSPP	1 1/2" BSPP	1 1/4" BSPP	1/2" BSPP	1/4" BSPP	-	M12-1.75	M12-1.75
T	1 1/4" BSPT	1 1/2" BSPT	1 1/4" BSPT	1/2" BSPT	1/4" BSPT	-	M12-1.75	M12-1.75
M	M42 x 2	M48 x 2	M42 x 2	M16 x 1.5	M10 x 1.0	-	M12-1.75	M12-1.75

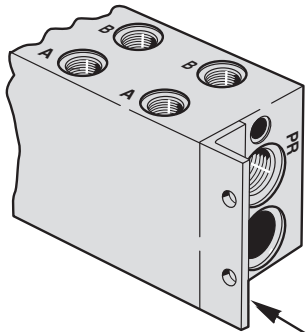


Features & Advantages

- * Available with SAE, NPT, BSPP, BSPT or Metric Threads to cover a wide range of applications.
- * Large pressure and tank passages for maximum flow capacity.
- * Common pilot drain connections.
- * Standard end mounting holes make mounting easy and flexible. Also, a mounting bracket kit (BK-A08) is supplied (when requested) as an alternate end mounting style.

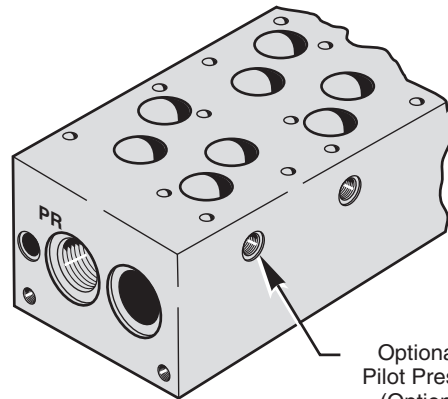
3

Standard Mounting Bracket Kit



Mounting Bracket Kit
(Request-No Charge)
(BK-A08)

Optional Pilot Pressure Ports



Optional Feature
Pilot Pressure Ports
(Option Code P)

MAGNALOY D08 SERIES BAR MANIFOLD PART NUMBER BREAKDOWN

B M - A S S 0 8 P 7 - 0 2 - 0 / P

Product Code
BM-Inline Bar Manifold

Material Code
A - Aluminum
S - Ductile/Steel

Circuit Code
SS - Series Circuit

NFPA Pattern Code
08 - D08

Thread Code
P - NPTF Pipe
S - SAE O'Ring
B - BSPP British Parallel
T - BSPT British Taper
M - Metric ISO 6149

(See Port Chart for Standard Port Sizes)

Options

- Z - No Option
- G - Gauge Port #4 SAE or 1/4 NPTF
- G6 - Gauge Port #6 SAE
- P - Pilot Pressures (Individual Per Valve)
- H - Hard Metric Threading (See Note 2, page 47)
- M - Soft Metric Threading (See Note 3, page 47)

Design Series

Number of Valve Stations
02 - 2 stations
03 - 3 stations
etc.

Valve Spacing Code
7 - 7.00" Only

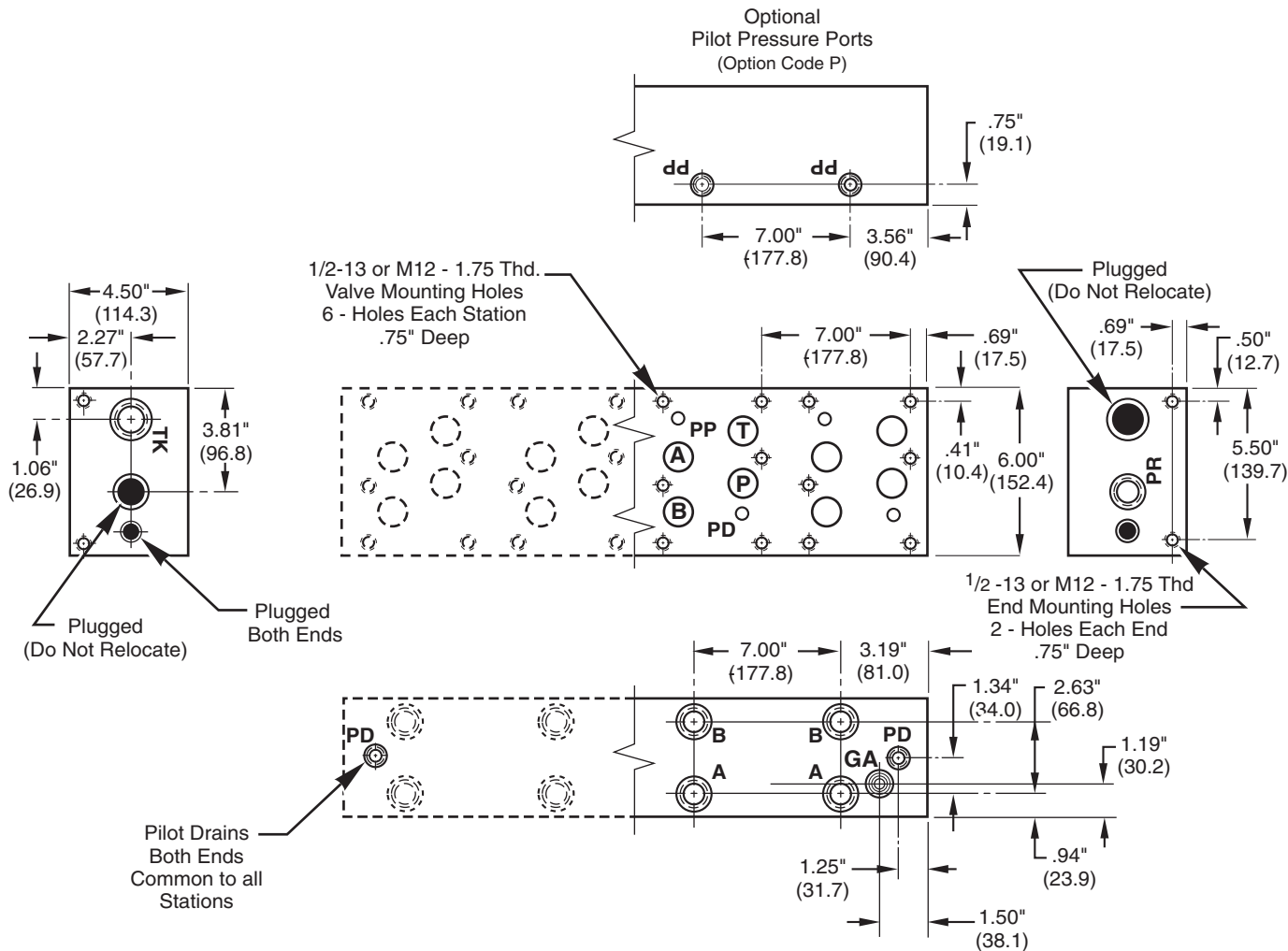
Inline Bar Manifold

D08 Bar Manifold - Series

Length (L) 7.00" Spacing Only			
No. of Stations	2	3	4
Valve Center Spacing	12.56"	19.56"	26.56"

Note: Relief Cavities and Gauge Port not available in standard D08 Series Manifolds

Additional stations available, consult factory.



Port Size Chart

Thread Code	PR	TK	A & B	PD & Pilot Pressure Ports	Optional Gauge Port
P	1" NPT	1 1/4" NPT	1" NPT	3/8" NPT	1/4" NPT
S	#16 SAE	#20 SAE	#16 SAE	#6 SAE	#4 SAE G6 - #6 SAE
B	1" BSPP	1 1/4" BSPP	1" BSPP	3/8" BSPP	-
T	1" BSPT	1 1/4" BSPT	1" BSPT	3/8" BSPT	-
M	M33	M42	M33	M14	-

NOTE: For Mounting Bracket Kit (BK-A08) dimensions, see Reference Section, page 197.

INDEX:

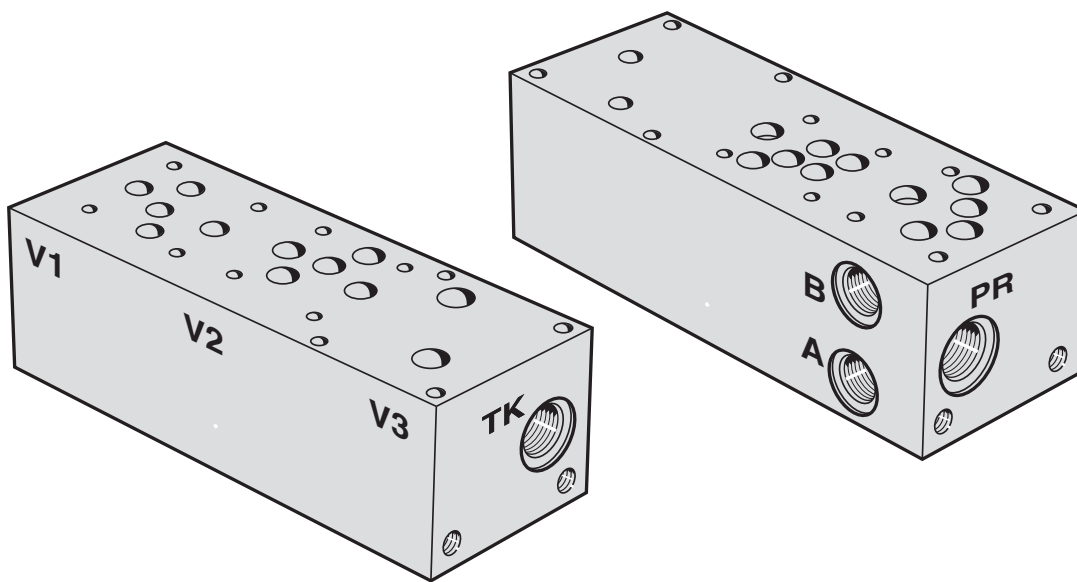
page **Integrated Circuit Manifolds**

69 D05 Tank Line Feed Control Manifold

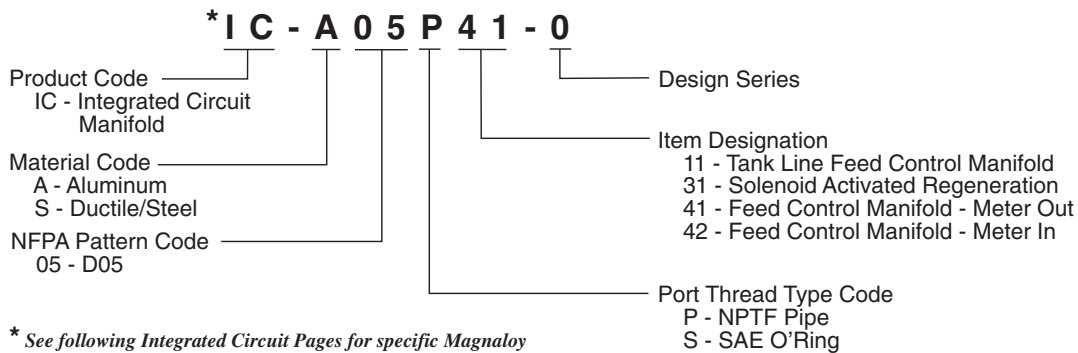
70 D05 Feed Control Manifold - Cylinder Port Meter Out and Meter In

71 D05 Solenoid Activated Regeneration Module

3



MAGNALOY IC MANIFOLD PART NUMBER BREAKDOWN



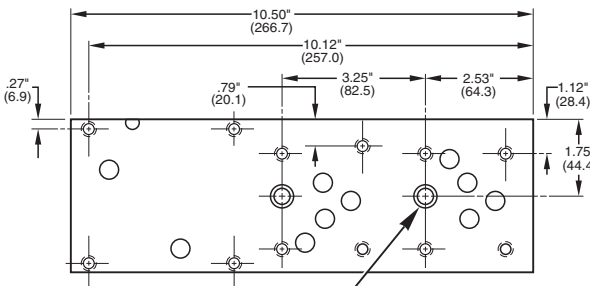
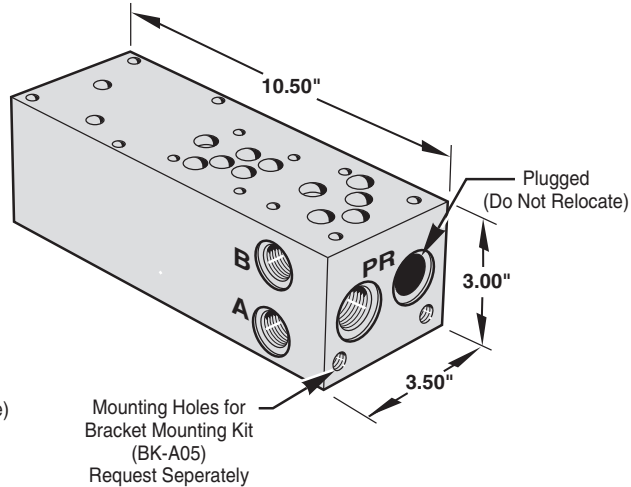
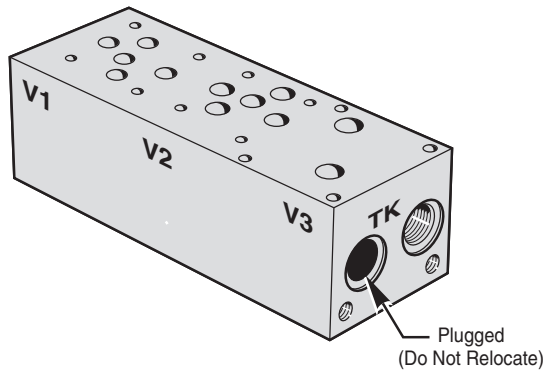
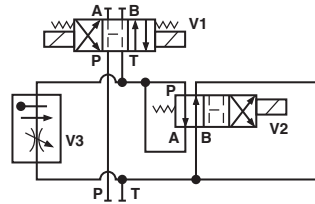
Integrated Circuit Manifold

D05 Tank Line Feed Control Manifold

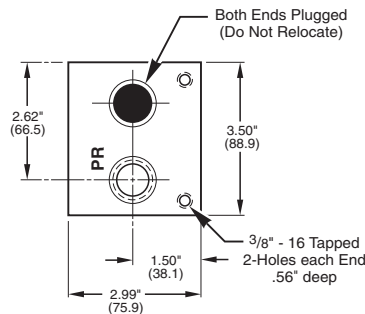
The integrated circuit manifold, Number IC-A05x11-0 and IC-S05x11-0, provides a "Meter Out" pressure compensated flow control circuit. The flow control is placed in the tank line to allow control in either/both direction(s) of travel. Selector valve (V2) allows electrical switching from rapid travel (nominal flow of 10 GPM) to feed (from fractional to 6.5 GPM). Note: Single rod end cylinders will not have the same speed in both directions.

Valves Required

- V1 — Directional Control Valve (NFPA D05)
- V2 — Directional Control Valve, Spring Off-Set (NFPA D05)
- V3 — Pressure Compensated Flow Control (NFPA 2F02)



Two Counterbored Mounting Holes for 5/16" Socket Head Cap Screws .50" Deep

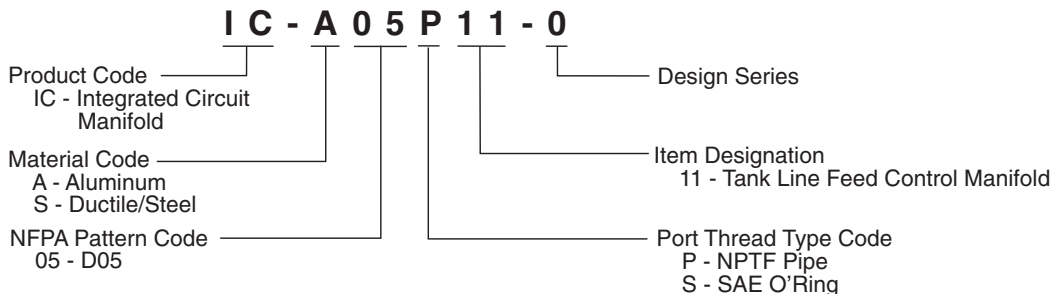


Port Designation	IC_05P11-0	IC_05S11-0
A & B	1/2" NPTF	#8 SAE
PR	3/4" NPTF	#12 SAE
TK	3/4" NPTF	#12 SAE

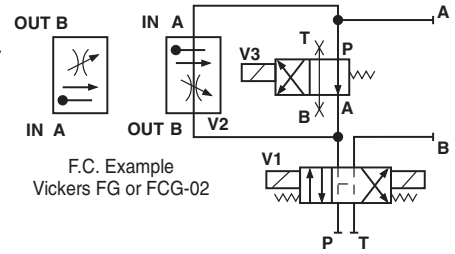
Part Number	
SAE	IC-A05S11-0 Aluminum IC-S05S11-0 Ductile/Steel
NPT	IC-A05P11-0 Aluminum IC-S05P11-0 Ductile/Steel

NOTE: For Mounting Bracket Kit (BK-A05) dimensions, see Reference Section, page 197.

MAGNALOY IC MANIFOLD PART NUMBER BREAKDOWN

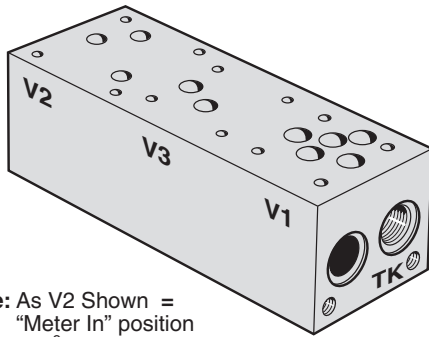


The integrated circuit manifold, Number IC-_05x41-0, provides a "Meter Out" and IC-_05x42 provides a "Meter In" pressure compensated flow control circuit. The flow control is placed in the port line in parallel with a selector valve which allows electrical switching to rapid transverse (nominal flow of 10 GPM) or controlled speed (from fractional to 6.5 GPM).

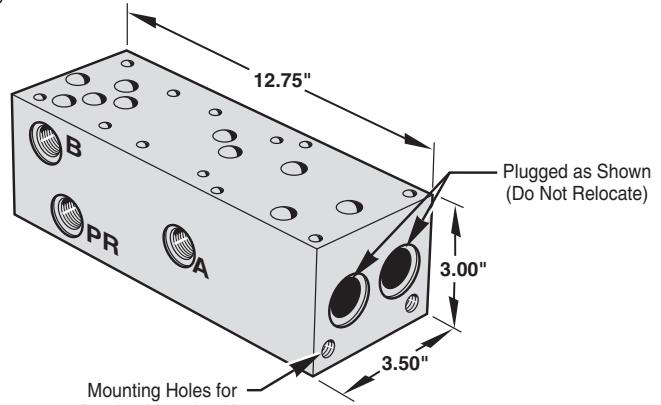


Valves Required

- V1 — Directional Control Valve (NFPA D05)
- V2 — Pressure Compensated Flow Control Valve (NFPA 2F02)
- V3 — Directional Control Valve, Spring Offset, Open Center Spool Recommended (NFPA D05)

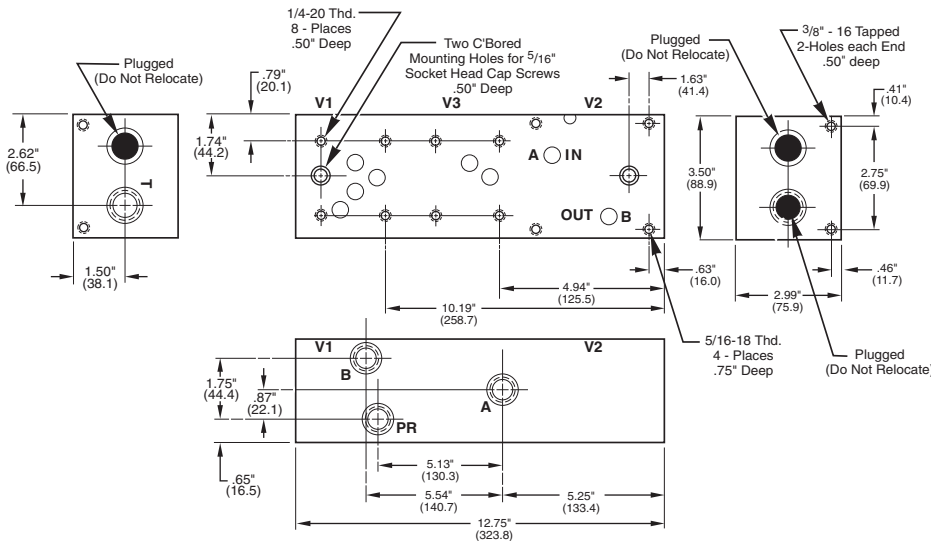


Note: As V2 Shown = "Meter In" position
180° Rotation = "Meter Out" position



Mounting Holes for Bracket Mounting Kit (BK-A05)
Request Separately

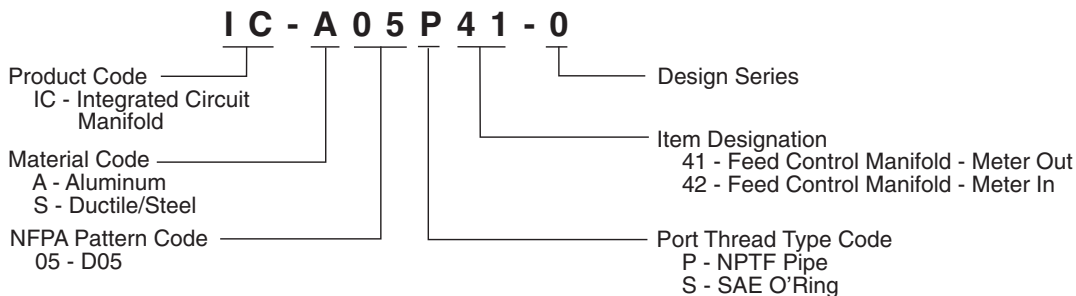
NOTE: For Mounting Bracket Kit (BK-A05) dimensions, see Reference Section, page 197



Port Designation	IC-_05P4_-0	IC-_05S4_-0
A, B & P	1/2" NPT	#8 SAE
TK	3/4" NPT	#12 SAE

Part Number	
SAE	IC-A05S4_-0 Aluminum
	IC-S05S4_-0 Ductile/Steel
NPT	IC-A05P4_-0 Aluminum
	IC-S05P4_-0 Ductile/Steel

MAGNALOY IC MANIFOLD PART NUMBER BREAKDOWN



Integrated Circuit Manifold D05 Solenoid Activated Regeneration Module

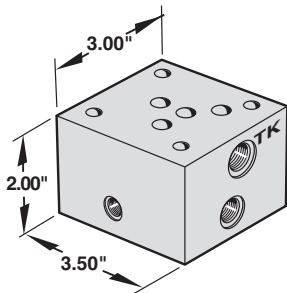


The integrated circuit modules, Number IC-A05x31-0 and IC-S05x31-0, provide a regeneration circuit where the oil is discharged from the rod end of a differential area, (2:1) cylinder is combined with the pump flow for rapid, regenerative, forward travel. The module must be mounted on a 2 station, DO5, parallel bar manifold (see page 56) to complete the circuit assembly.

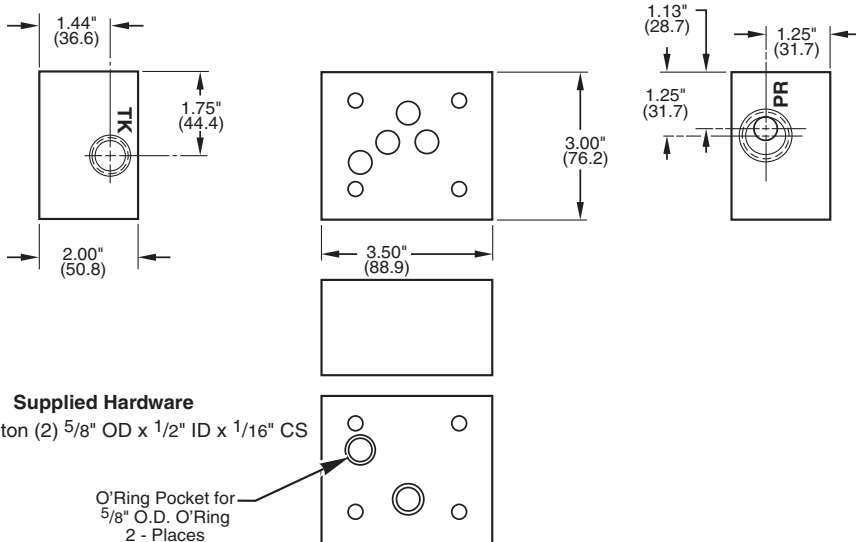
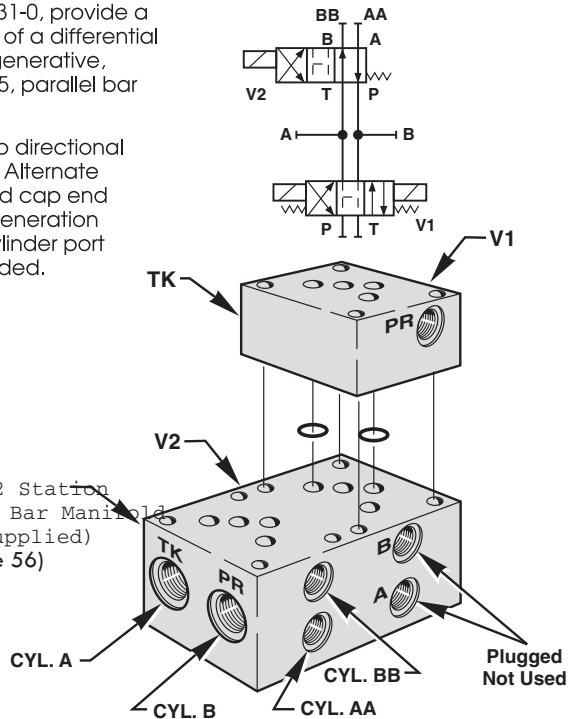
When the machine cycle requires full force, an electrical signal to directional control valve V2 redirects rod end flow to tank through valve V1. Alternate ports are provided for both the rod end connection (AA) (BB) and cap end connection (A) (B). This allows the designer to select whether regeneration occurs when V2 is energized or de-energized and a choice of cylinder port combinations. Ports not used should be plugged with plugs provided.

Valves Required

- V1 — Directional Control Valve (NFPA D05)
- V2 — Directional Control Valve, Spring Offset, Open Center Spoon Recommended (NFPA D05)



D05 - 2 Station Parallel Bar Manifold (Not Supplied) (see page 56)



Supplied Hardware

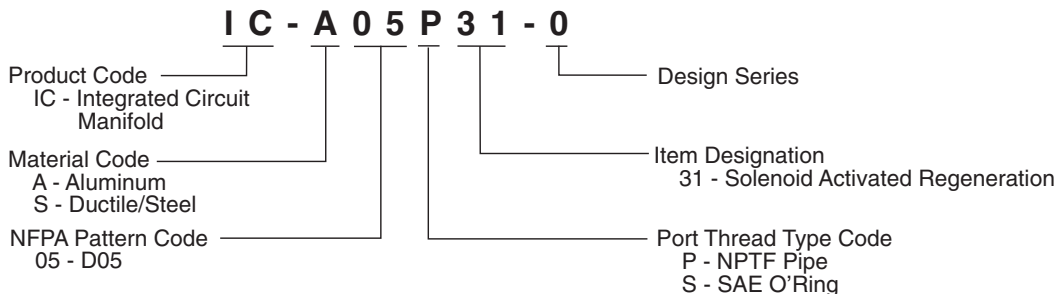
O-Rings — Viton (2) 5/8" OD x 1/2" ID x 1/16" CS

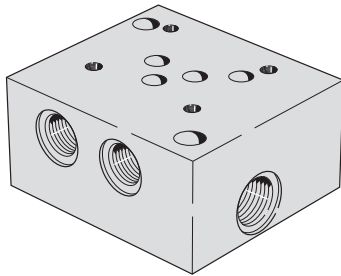
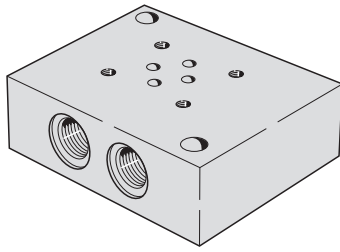
O'Ring Pocket for 5/8" O.D. O'Ring 2 - Places

Port Designation	IC-05P31-0	IC-05S31-0
Pressure Conn	1/2" NPTF	#8 SAE
Tank Conn	1/2" NPTF	#8 SAE
Cyl AA & BB	1/2" NPTF	#8 SAE
Cyl A & B	3/4" NPTF	#12 SAE

Part Number	
SAE	IC-A05S31-0 Aluminum IC-S05S31-0 Ductile/Steel
NPT	IC-A05P31-0 Aluminum IC-S05P31-0 Ductile/Steel

MAGNALOY IC MANIFOLD PART NUMBER BREAKDOWN





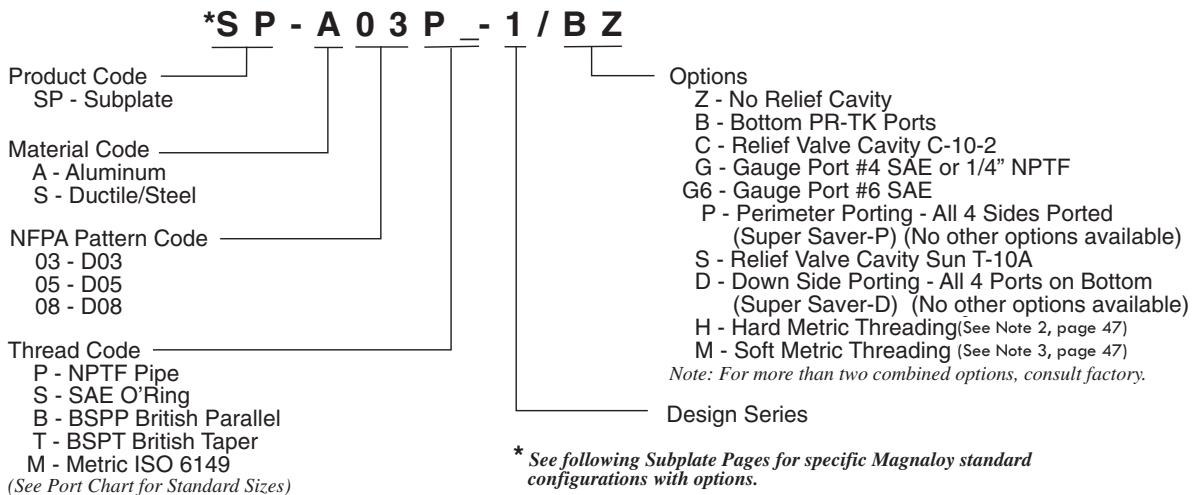
INDEX		Part Number	
page	Super Saver Subplates	Aluminum	Ductile/Steel
69	NFPA D03 Valves - Perimeter Ported	SP-A03_-1/PZ	SP-S03_-1/PZ
70	NFPA D03 Valves - Down Side Ported	SP-A03_-1/DZ	SP-S03_-1/DZ
71	NFPA D05 Valves - Perimeter Ported	SP-A05_-1/PZ	SP-S05_-1/PZ
72	NFPA D05 Valves - Down Side Ported	SP-A05_-1/DZ	SP-S05_-1/DZ
page	Side Ported Subplates	Aluminum	Ductile/Steel
73	NFPA D03 Valves - Side Ported	SP-A03_-1/_	SP-S03_-1/_
74	NFPA D05 Valves - Side Ported	SP-A05_-1/_	SP-S05_-1/_
75	NFPA D05 Valves - High Flow Side Ported	SP-AH05_-1/_	SP-SH05_-1/_
76	NFPA D08 Valves - Side Ported	SP-A08_-1/_	SP-S08_-1/_

Standard Subplate - includes specified NFPA valve pattern mounting on the top surface of the subplate, A & B ports per the specified thread type on the sides of the subplate and pressure and tank ports per the specified thread type on the bottom and side surfaces of the subplate. Mounting provisions include two (2) counter bored through holes on the top surface of the subplate.

3 Options:

- Z** - No Relief Valve Cavity - specifies that no relief valve cavity is provided (standard subplate).
- B** - Bottom PR & TK ports - additional pressure and tank ports per specified thread type located on the bottom of the subplate. (Not available with P or D options).
- C** - Relief Valve Cavity - common cavity configuration added to a back surface of the subplate.
- D** - Down Side Porting - (Super Saver - DZ) - all 4 ports (A, B, PR & TK) are located on the bottom surface of the subplate. No other porting or options are provided.
- P** - Perimeter Porting - (Super Saver - PZ) - locates the A, B, PR & TK ports on a separate side surface of the subplate. No other porting or options are provided.
- S** - Relief Valve Cavity - Sun cavity configuration added to a back surface of the subplate.
- G** - #4 SAE Gauge Port with "S", "B", or "M" thread code OR 1/4" NPT with "P" or "T" thread code.
- G6** - #6 SAE Gauge Port with "S", "B" or "M" thread code.
- H** - Hard Metric Threading - when British or Metric thread type is specified, the valve mounting holes are also metric threaded.
- S** - Soft Metric Threading - indicates mixed metric threading. When NPT or SAE thread type is specified, valve mounting holes are metric threaded. No Code (M) indicates the valve mounting holes are English threaded.

MAGNALOY SUBPLATE PART NUMBER BREAKDOWN

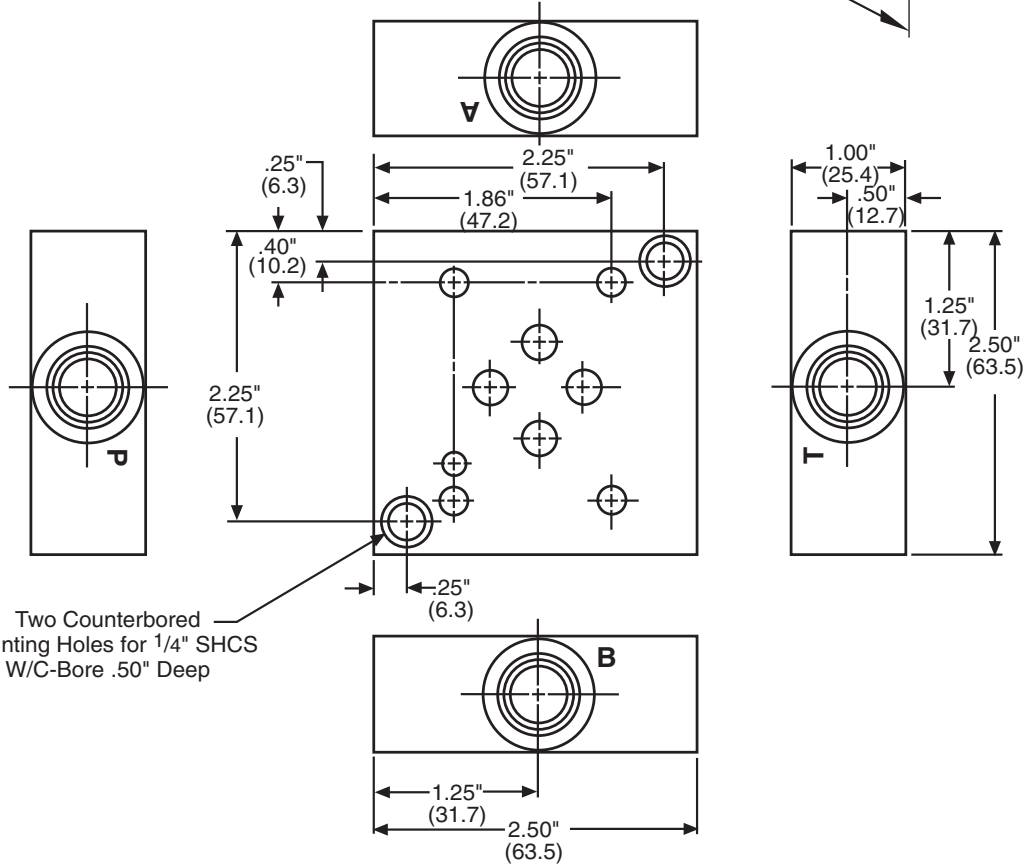
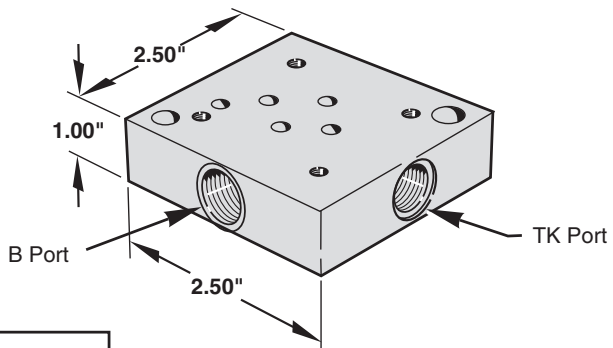


Super Saver Subplates D03 - Perimeter Ported

Application:

Subplate used for mounting directional valve with NFPA D03 Interface.

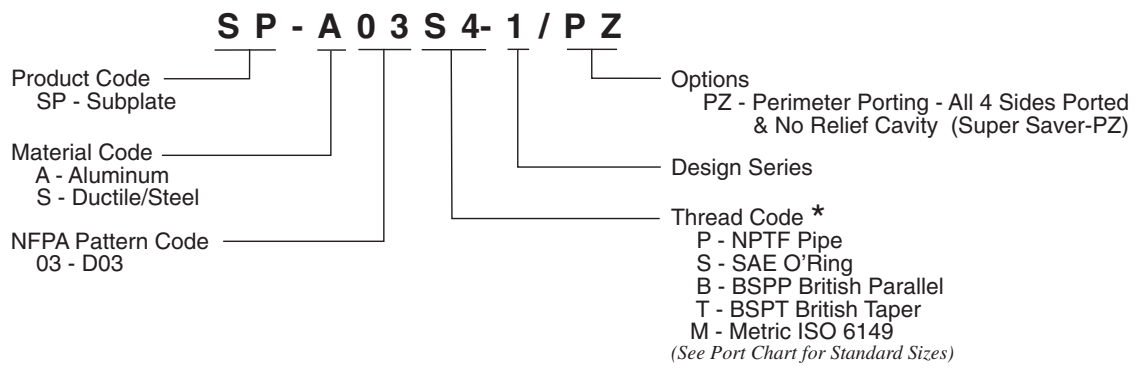
A, B, PR & TK ports on 4 separate sides.



Thread Code	PR, TK, A & B
P4	1/4" NPT
S4	#4 SAE
B4	1/4" BSPP
T4	1/4" BSPT
M4	M10 x 1.0
P6	3/8" NPT
S6	#6 SAE
B6	3/8" BSPP
T6	3/8" BSPT
M6	M14 x 1.5

3

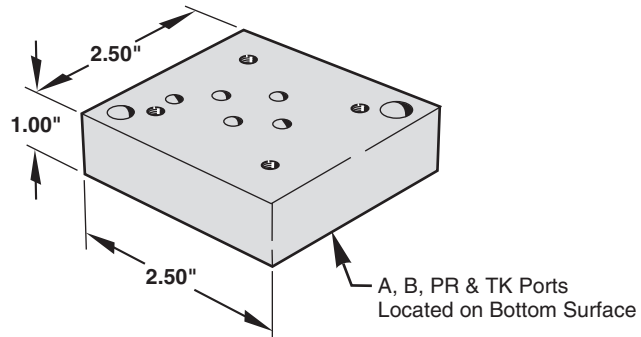
MAGNALOY D03 SUPER SAVER SUBPLATE PART NUMBER BREAKDOWN



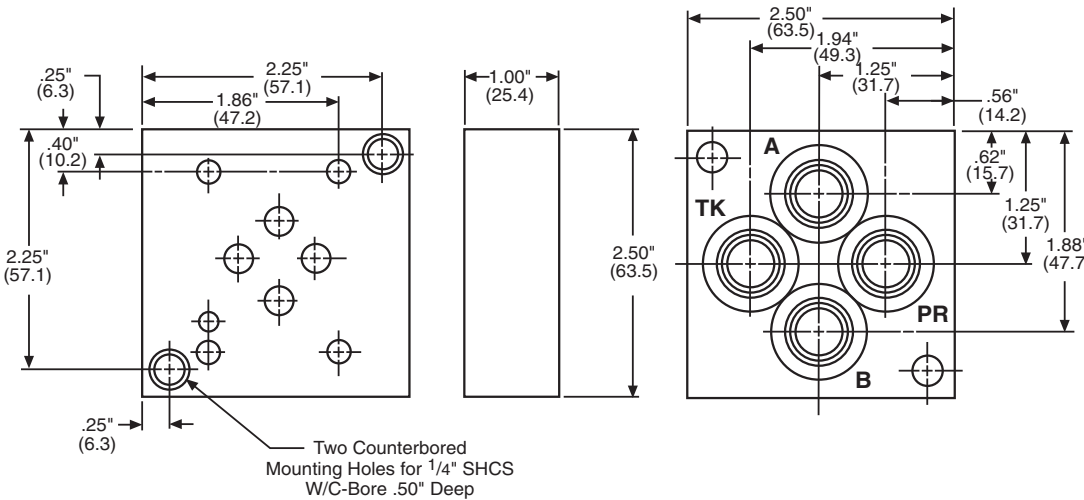
Application:

Subplate used for mounting directional valve with NFPA D03 Interface.

A, B, PR & TK ports on bottom surface.

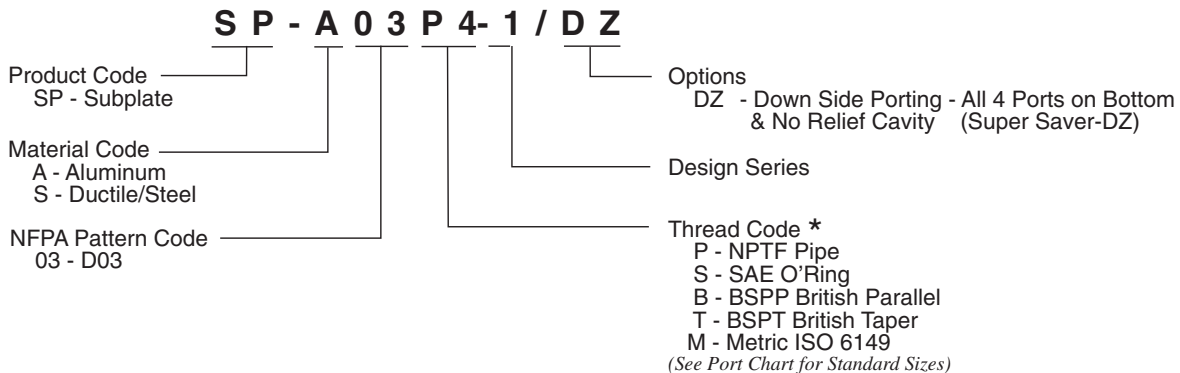


3



Thread Code	PR, TK, A & B
P4	1/4" NPT
S4	#4 SAE
B4	1/4" BSPP
T4	1/4" BSPT
M4	M10 x 1.0
P6	3/8" NPT
S6	#6 SAE
B6	3/8" BSPP
T6	3/8" BSPT
M6	M14 x 1.5

MAGNALOY D03 SUPER SAVER SUBPLATE PART NUMBER BREAKDOWN



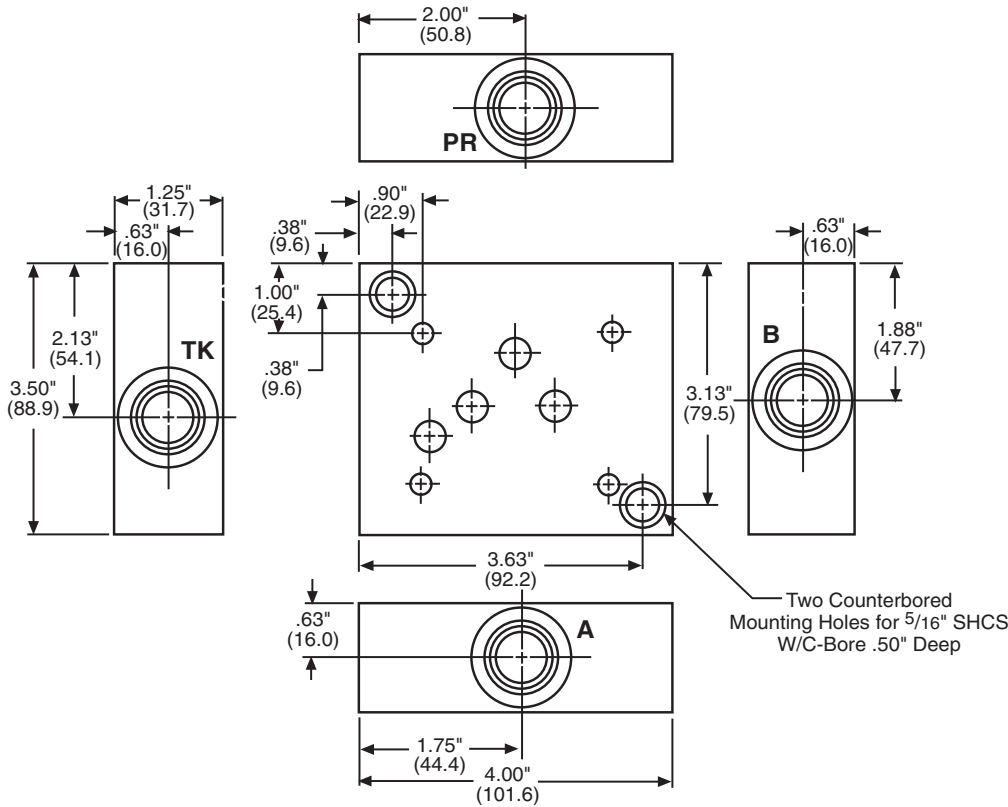
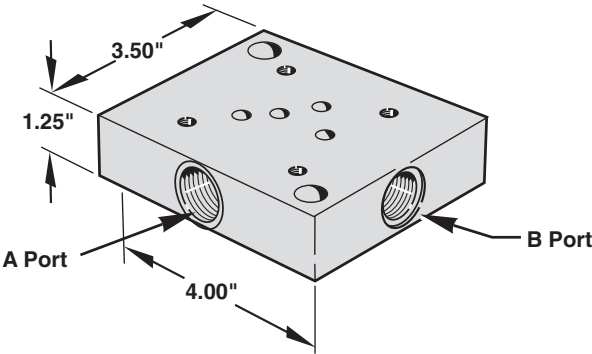
Super Saver Subplates

D05 - Perimeter Ported

Application:

Subplate used for mounting directional valve with NFPA D05 Interface.

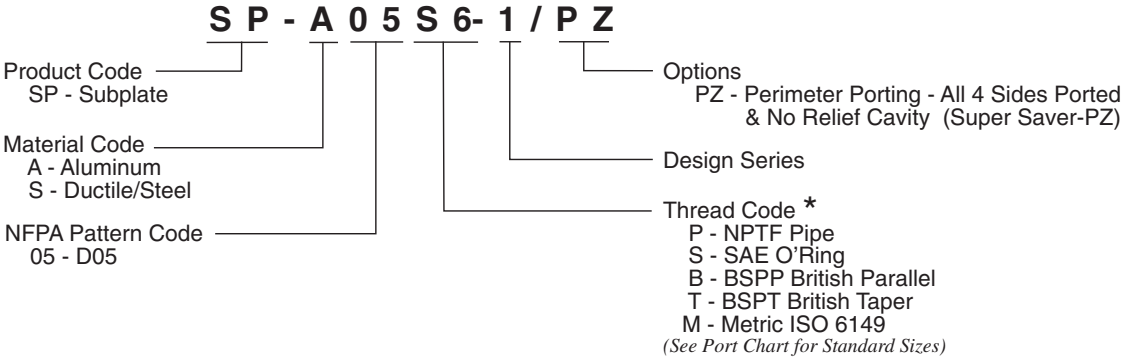
A, B, PR & TK ports on 4 separate sides.



Thread Code	PR, TK, A & B
P6	3/8" NPT
S6	#6 SAE
B6	3/8" BSPP
T6	3/8" BSPT
M6	M14 x 1.5
P8	1/2" NPT
S8	#8 SAE
B8	1/2" BSPP
T8	1/2" BSPT
M8	M18 x 1.5

3

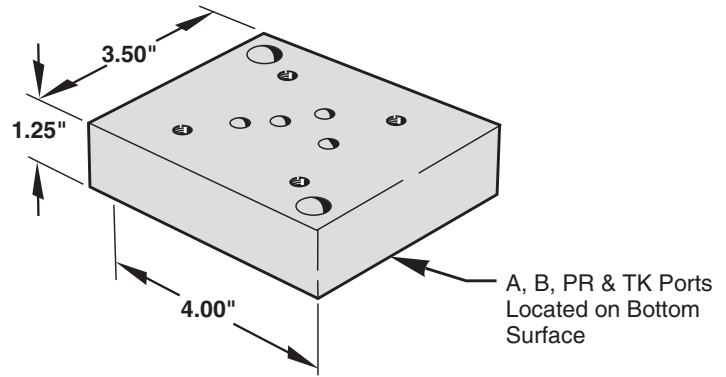
MAGNALOY D05 SUPER SAVER SUBPLATE PART NUMBER BREAKDOWN



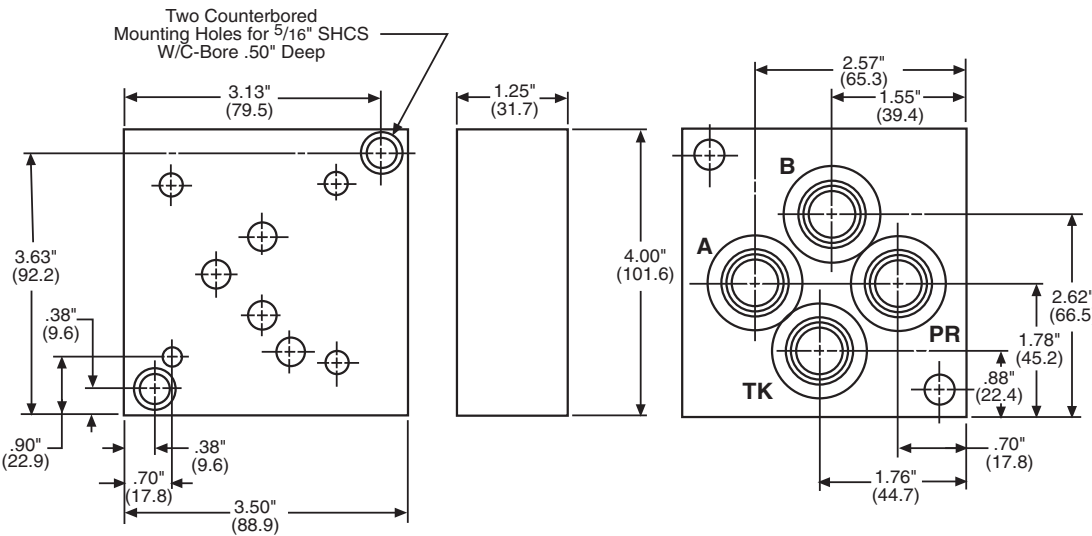
Application:

Subplate used for mounting directional valve with NFPA D05 Interface.

A, B, PR & TK ports on bottom surface.

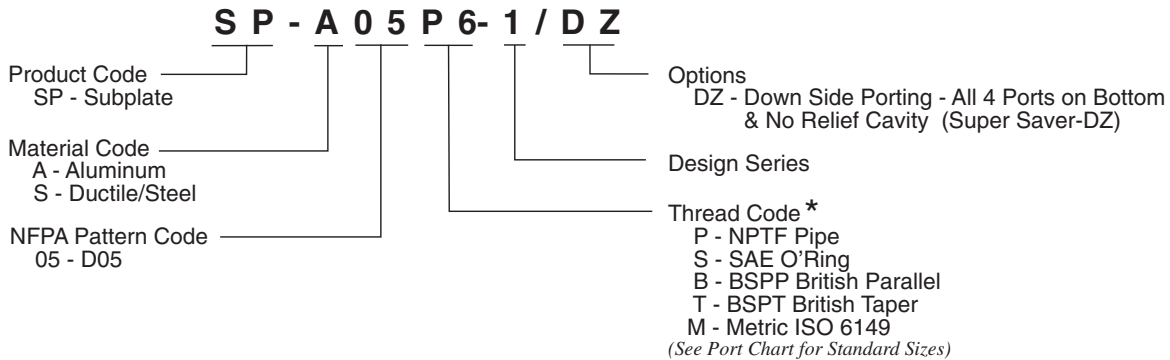


3



Thread Code	PR, TK, A & B
P6	3/8" NPT
S6	#6 SAE
B6	3/8" BSPP
T6	3/8" BSPT
M6	M14 x 1.5
P8	1/2" NPT
S8	#8 SAE
B8	1/2" BSPP
T8	1/2" BSPT
M8	M18 x 1.5

MAGNALOY D05 SUPER SAVER SUBPLATE PART NUMBER BREAKDOWN



Side Ported Subplates D03 - Side Ported

Application:

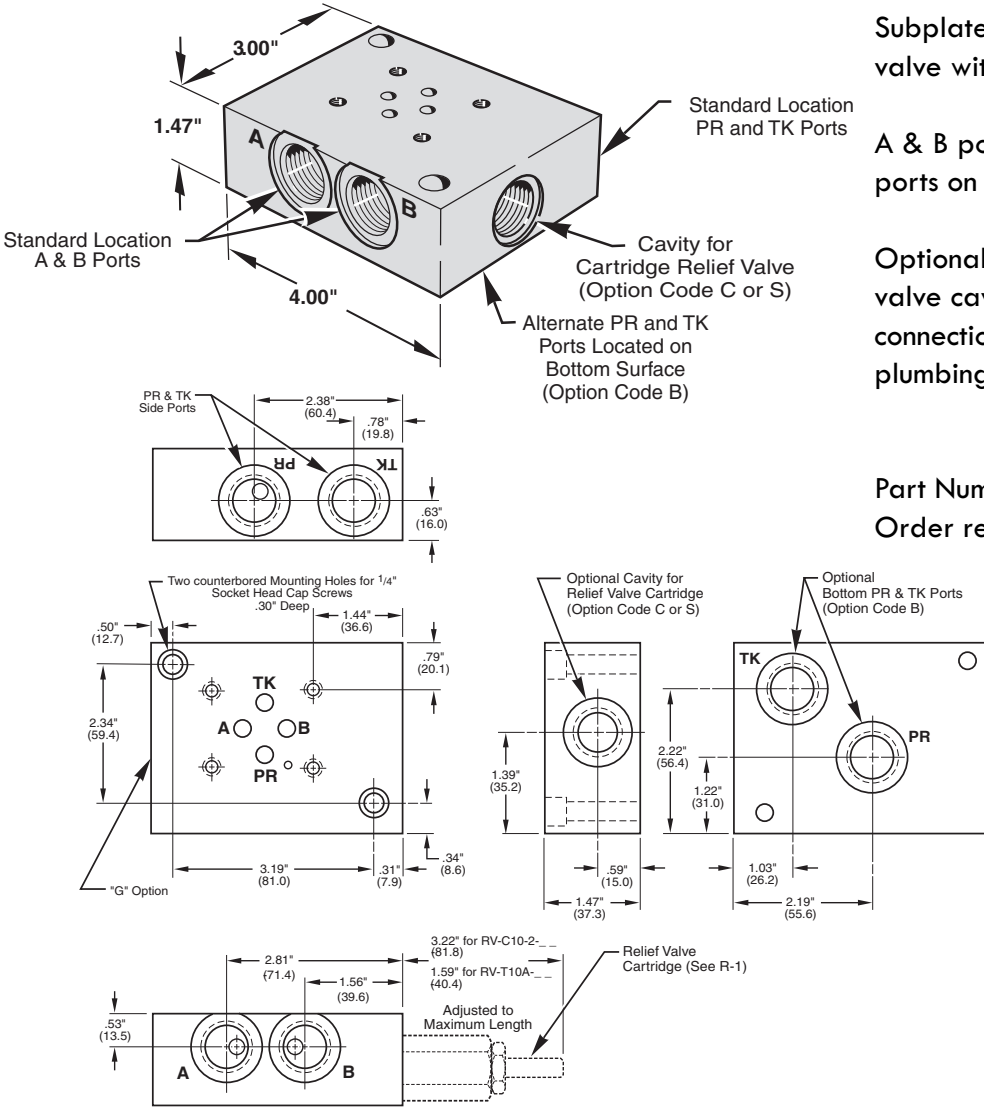
Subplate used for mounting directional valve with NFPA D03 Interface.

A & B ports on a common side, PR & TK ports on opposite side.

Optional features include cartridge relief valve cavity with the tank and pressure connections on the bottom surface to allow plumbing directly through the reservoir top.

Note:

Part Number includes the subplate only.
Order relief valve cartridge separately.



* Thread Code	PR, TK, A & B
P6	3/8" NPT
S6	#6 SAE
B6	3/8" BSPP
T6	3/8" BSPT
M6	M14 x 1.5
P8	1/2" NPT
S8	#8 SAE
B8	1/2" BSPP
T8	1/2" BSPT
M8	M18 x 1.5

3

MAGNALOY D03 SUBPLATE PART NUMBER BREAKDOWN

S P - A 0 3 P 6 - 1 / B Z

Product Code
SP - Subplate

Material Code
A - Aluminum
S - Ductile/Steel

NFPA Pattern Code
03 - D03

Thread Code
P - NPTF Pipe
S - SAE O'Ring
B - BSPP British Parallel
T - BSPT British Taper
M - Metric ISO 6149
(See Port Chart for Standard Sizes)

Options
Z - No Relief Cavity
B - Bottom PR-TK Ports (W/Side PR & TK)
C - Relief Valve Cavity C-10-2
G - Gauge Port #4 SAE or 1/4 NPTF
S - Relief Valve Cavity Sun T-10A
H - Hard Metric Threading (See Note 2, page 47)
M - Soft Metric Threading (See Note 3, page 47)
Note: For more than two combined options, consult factory.

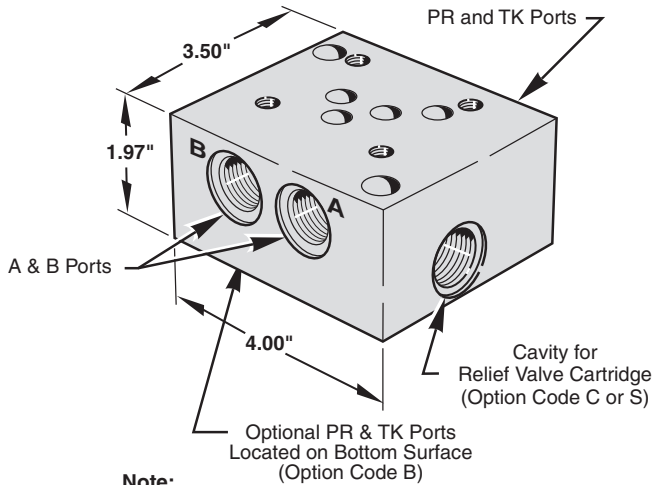
Design Series

Application:

Subplate used for mounting directional valve with NFPA D05 Interface.

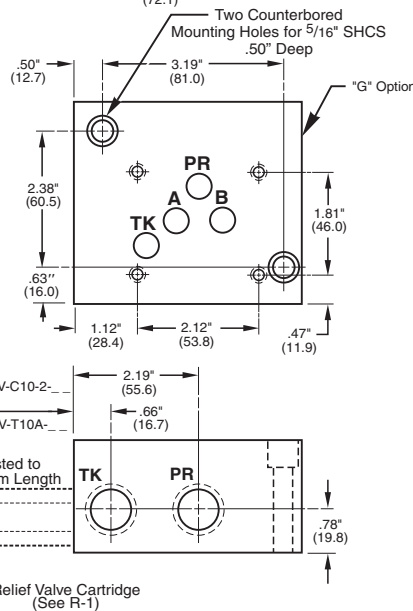
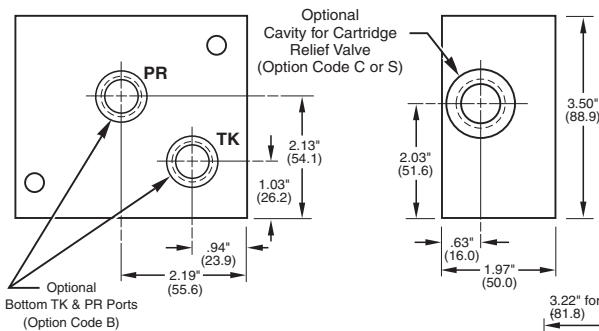
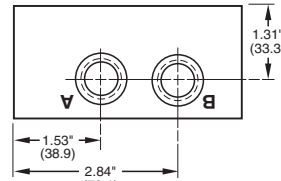
A & B ports on a common side, PR & TK ports on opposite side.

Optional features include cartridge relief valve cavity with the tank and pressure connections on the bottom surface to allow plumbing directly through the reservoir top.



Note:

Part no. includes the subplate only. Order relief valve cartridge separately.



* Thread Code	PR, TK, A & B
P6	3/8" NPT
S6	#6 SAE
B6	3/8" BSPP
T6	3/8" BSPT
M6	M14 x 1.5
P8	1/2" NPT
S8	#8 SAE
B8	1/2" BSPP
T8	1/2" BSPT
M8	M18 x 1.5

MAGNALOY D05 SUBPLATE PART NUMBER BREAKDOWN

S P - A 0 5 P 6 - 1 / B Z

Product Code
SP - Subplate

Material Code
A - Aluminum
S - Ductile/Steel

NFPA Pattern Code
05 - D05

Thread Code
P - NPTF Pipe
S - SAE O'Ring
B - BSPP British Parallel
T - BSPT British Taper
M - Metric ISO 6149
(See Port Chart for Standard Sizes)

Options
Z - No Relief Cavity
B - Bottom PR-TK Ports (W/Side PR & TK)
C - Relief Valve Cavity C-10-2
G - Gauge Port #4 SAE or 1/4 NPTF
S - Relief Valve Cavity Sun T-10A
H - Hard Metric Threading (See Note 2, page 47)
M - Soft Metric Threading (See Note 3, page 47)
Note: For more than two combined options, consult factory.

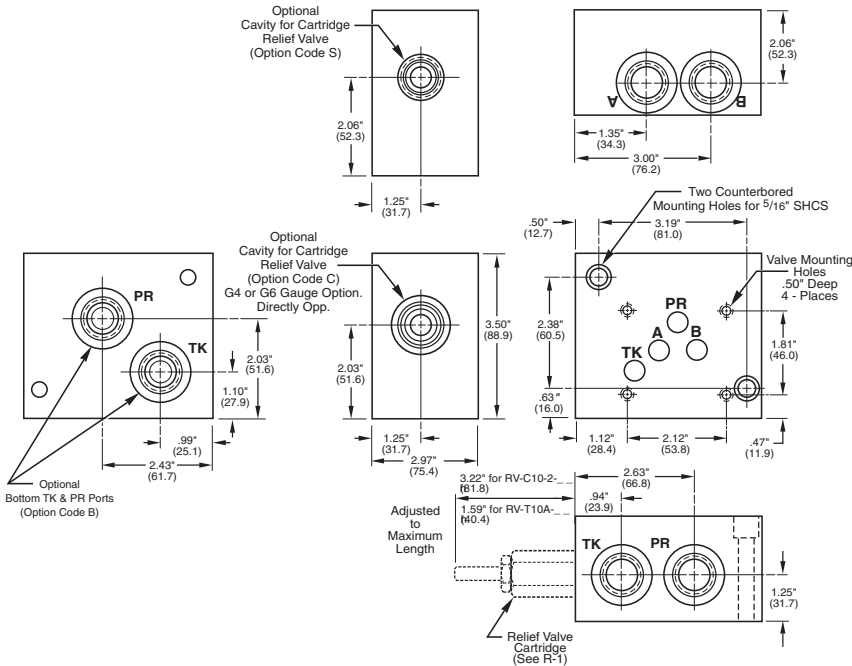
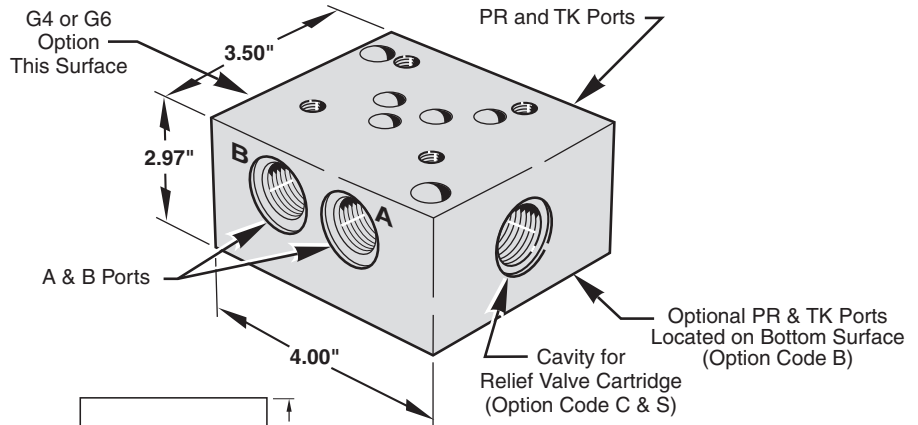
Design Series

Side Ported Subplates D05 - High Flow Side Ported

Application:
Subplate used for mounting directional valve with NFPA D05 Interface.

A & B ports on a common side, PR & TK on opposite side.

Optional features include cartridge relief valve cavity, gauge port and tank and pressure connections on the bottom surface to allow plumbing directly through a reservoir top.



Thread Code	PR, TK, A & B	Valve Mounting
P12	3/4" NPT	1/4-20 UNC
S12	#12 SAE	1/4-20 UNC
B12	3/4" BSPP	M6 - 1.0
T12	3/4" BSPT	M6 - 1.0
M12	M27 x 2.0	M6 - 1.0

Note:
Part no. includes the subplate only. Order relief valve cartridge separately.

3

MAGNALOY D05 SUBPLATE PART NUMBER BREAKDOWN

S P - A H 0 5 P 1 2 - 1 / B Z

Product Code
SP - Subplate

Material Code
A - Aluminum
S - Ductile/Steel

NFPA Pattern Code
H05 - High Flow D05

Thread Code
P12 - NPTF Pipe
S12 - SAE O'Ring
B12 - BSPP British Parallel
T12 - BSPT British Taper
M12 - Metric ISO 6149
(See Port Chart for Standard Sizes)

Options
Z - No Relief Cavity
B - Bottom PR-TK Ports (W/Side PR & TK Ports)
C - Relief Valve Cavity C-10-2
G4 - Gauge Port #4 SAE or 1/4 NPTF
G6 - Gauge Port #6 SAE
S - Relief Valve Cavity Sun T-10A
M - Soft Metric Threading (See Note 3, page 47)

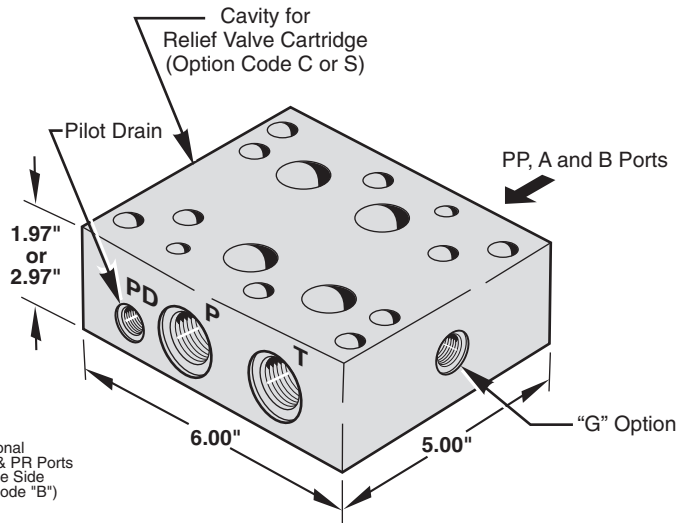
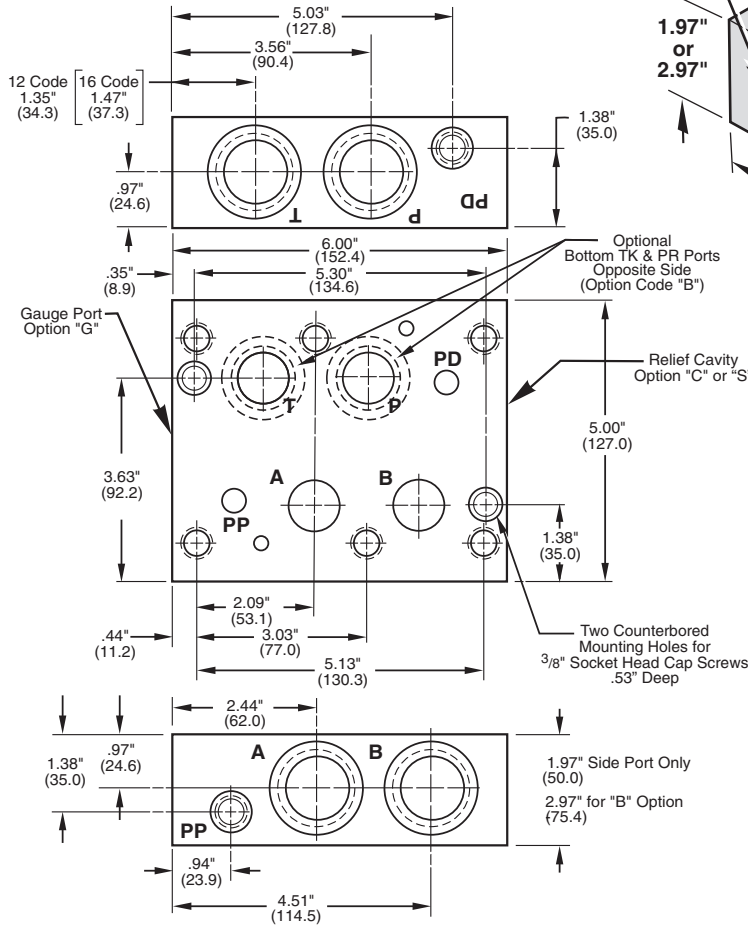
Note: For more than two combined options, consult factory.

Design Series

Also available in Extra High Flow Design and D05E Alt A or D05H Alt B pattern - Consult Factory

Application:

Side ported subplate used for mounting directional valves with NFPA D08 Interface. Features include A, B and pilot pressure ports on a common side with PR, TK and pilot drain ports on the opposite side.



Thread Code	PR, TK, A & B	PD & PP
P12	3/4" NPT	1/4" NPT
S12	#12 SAE	#6 SAE
B12	3/4" BSPP	1/4" BSPP
T12	3/4" BSPT	1/4" BSPT
M12	M27 x 2.0	M12 x 1.5
P16	1" NPT	1/4" NPT
S16	#16 SAE	#6 SAE
B16	1" BSPP	1/4" BSPP
T16	1" BSPT	1/4" BSPT
M16	M33 x 2.0	M12 x 1.5

MAGNALOY D08 SUBPLATE PART NUMBER BREAKDOWN

S P - A 0 8 P 1 2 - 1 / B Z

Product Code
SP - Subplate

Material Code
A - Aluminum
S - Ductile/Steel

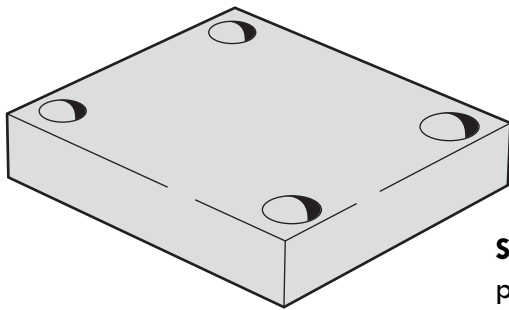
NFPA Pattern Code
08 - D08

Thread Code
P - NPTF Pipe
S - SAE O'Ring
B - BSPP British Parallel
T - BSPT British Taper
M - Metric ISO 6149
(See Port Chart for Standard Sizes)

Options
Z - No Relief Cavity
B - Bottom PR-TK Ports (W/Side PR & TK Ports)
C - Relief Valve Cavity C-10-2
G - Gauge Port #4 SAE or 1/4 NPTF
G6 - Gauge Port #6 SAE
S - Relief Valve Cavity Sun T-3A
H - Hard Metric Threading *(See Note 2, page 47)*
M - Soft Metric Threading *(See Note 3, page 47)*
Note: For more than two combined options, consult factory.

Design Series

INDEX		Part Number	
page	For NFPA D03 Valve Stations	Aluminum	Ductile/Steel
82	All Ports Blocked	CP-ASP03_-1/Z	CP-SSP03_-1/Z
82	All Ports Blocked, Gauge Ports Provided	CP-ASP03_-1/G	CP-SSP03_-1/G
83	PR & TK Ports Connected for Series Circuit	CP-ASS03_-1/Z	CP-SSS03_-1/Z
page	For NFPA D05 Valve Stations	Aluminum	Ductile/Steel
84	All Ports Blocked	CP-ASP05_-1/Z	CP-SSP05_-1/Z
84	All Ports Blocked, Gauge Ports Provided	CP-ASP05_-1/G	CP-SSP05_-1/G
85	PR & TK Ports Connected for Series Circuit	CP-ASS05_-1/Z	CP-SSS05_-1/Z
page	For NFPA D08 Valve Stations	Aluminum	Ductile/Steel
86	All Ports Blocked	CP-ASP08_-1/Z	CP-SSP08_-1/Z
86	All Ports Blocked, Gauge Ports Provided	CP-ASP08_-1/G	CP-SSP08_-1/G
87	PR & TK Ports Connected for Series Circuit	CP-ASS08_-1/Z	CP-SSS08_-1/Z

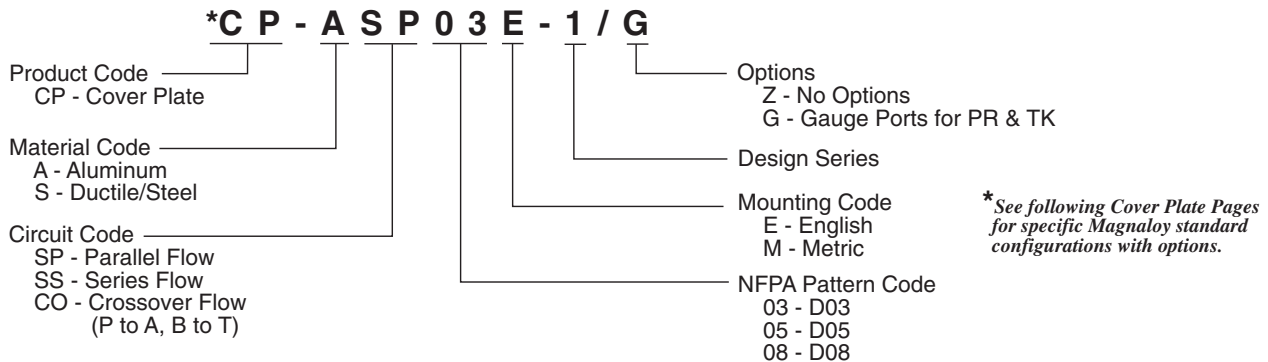


Standard Cover Plate - includes o’ring pockets on the bottom surface to provide o’ring sealing of the NFPA valve pattern. Mounting provisions include four (4) holes (6 on D08 cover plate) on the top surface of the cover plate. Mounting hardware, locating pins (w/D03 and D08 only) and viton o’ring are provided.

Options:

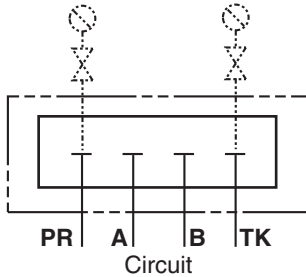
G - Gauge Ports - addition of two (2) gauge ports to the top surface of the cover plate to provide monitoring of the pressure and tank ports.

MAGNALOY COVER PLATE PART NUMBER BREAKDOWN

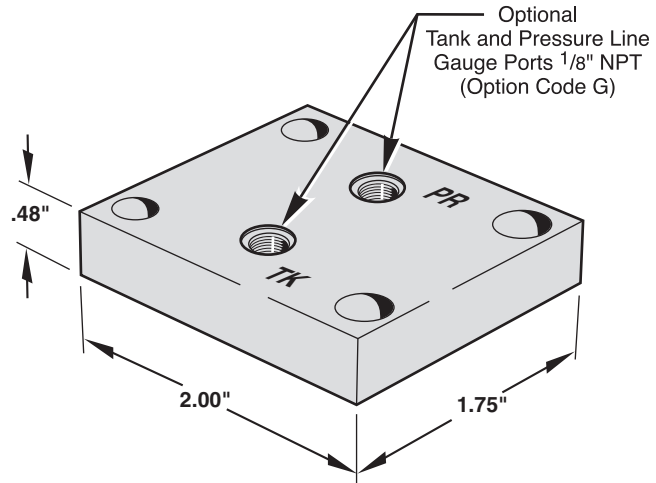


Application:

Seals and isolates all valve ports when used as substitute for directional valve. Gauge Port option provides pressure and tank line signal ports.



Note: (With Gauge Option)
Level seal pipe plugs are furnished to plug unused gauge ports.

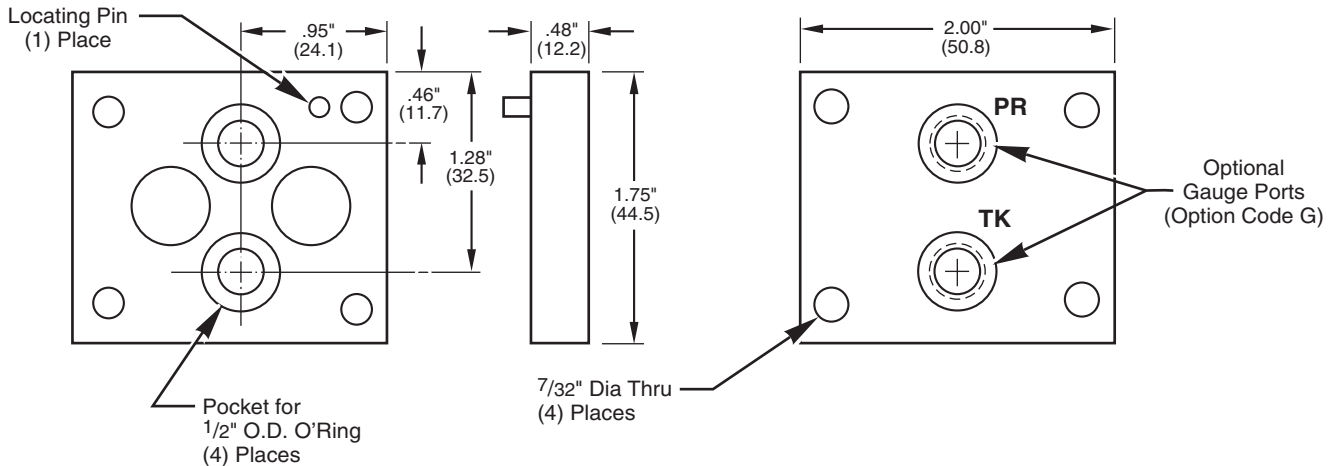


Supplied Hardware

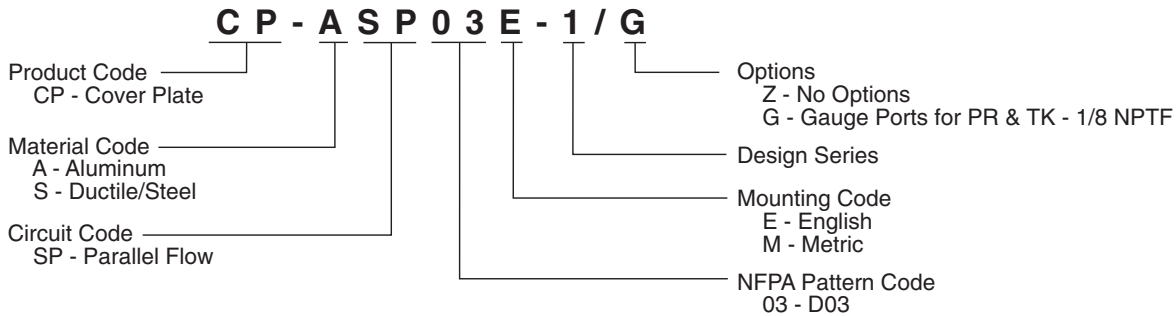
- Mounting Bolts — (4) M5-.80 x 22mm S.H.C.S. (M - Mtg.Code)
- Mounting Bolts — (4) 10-24 x 7/8" S.H.C.S. (E - Mtg.Code)
- O-Rings — Viton (4) 1/2" OD x 3/8" ID x 1/16" CS
- Pipe Plugs — (2) 1/8" NPT Level Seal (See note above)
- Locating Pin — (1) 1/8" x 3/8" Roll Pin

Part Numbers:

Aluminum	Ductile/Steel
CP-ASP03_-1/Z	CP-SSP03_-1/Z
CP-ASP03_-1/G	CP-SSP03_-1/G

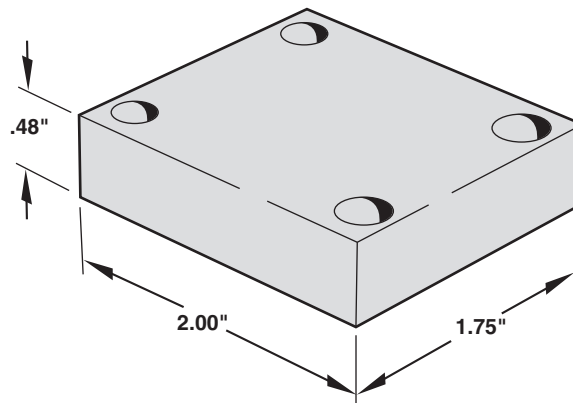
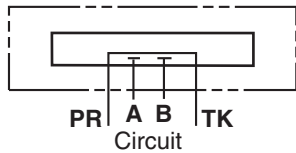


MAGNALOY D03 COVER PLATE PART NUMBER BREAKDOWN



Application:

Seals all valve ports and provides the pressure port common to tank port when used as a flush out plate or as a substitute for directional valve in a series circuit.



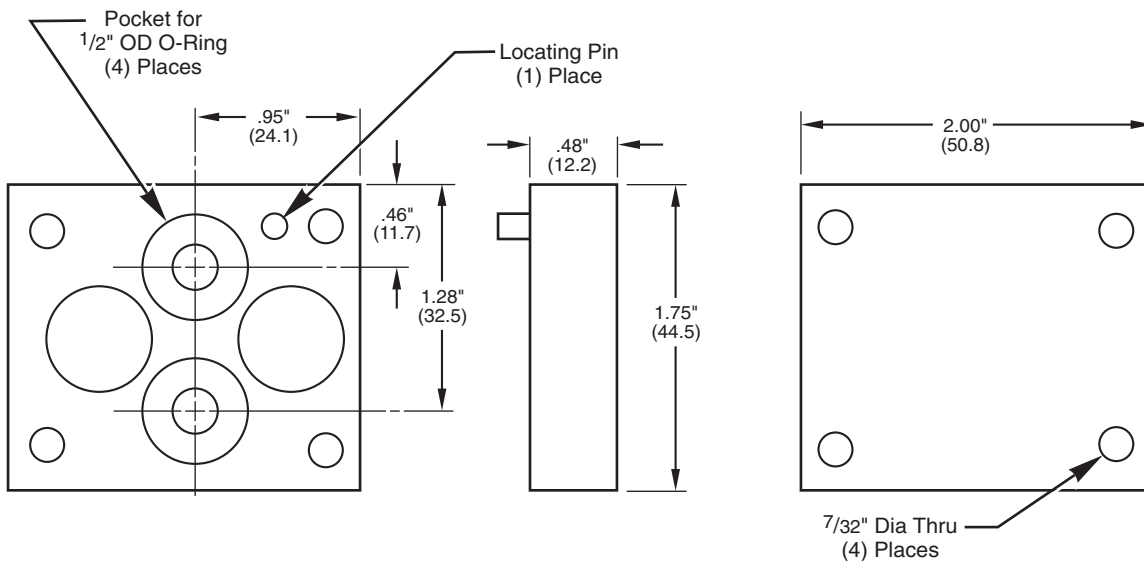
Supplied Hardware

- Mounting Bolts — (4) M5-.80 x 22mm S.H.C.S. (M - Mtg.Code)
- Mounting Bolts — (4) 10-24 x 7/8" S.H.C.S. (E - Mtg.Code)
- O-Rings — Viton (4) 1/2" OD x 3/8" ID x 1/16" CS
- Locating Pin — (1) 1/8" Dia x 3/8" Roll Pin

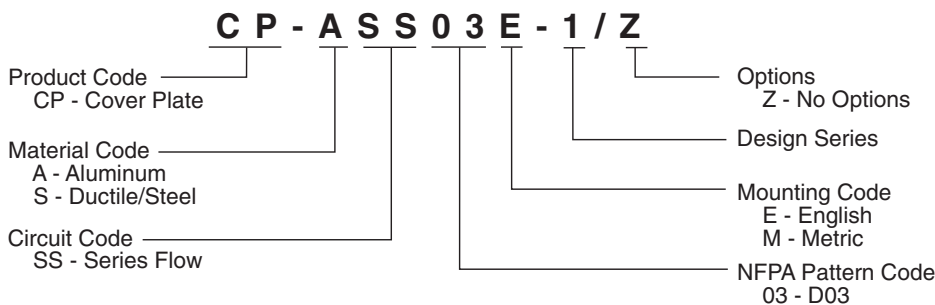
Part Numbers:

Aluminum	Ductile/Steel
CP-ASS03_-1/Z	CP-SSS03_-1/Z

3

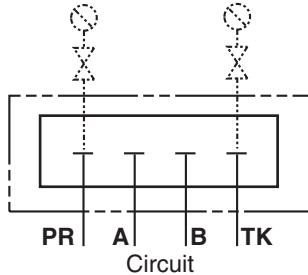


MAGNALOY D03 COVER PLATE PART NUMBER BREAKDOWN

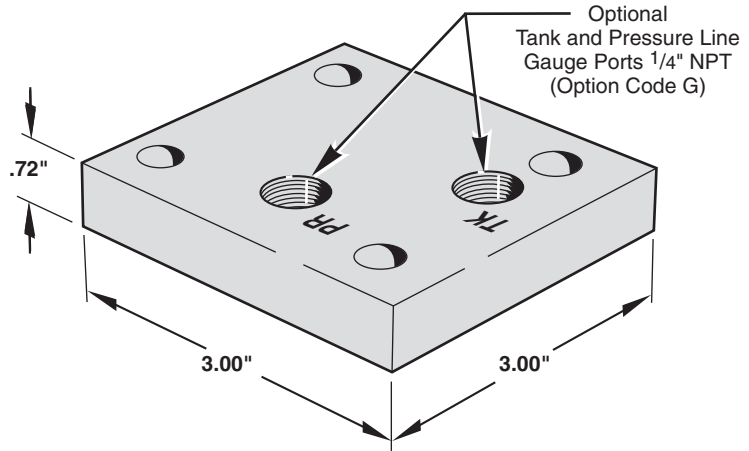


Application:

Seals and isolates all valve ports when used as substitute for directional valve. Gauge Port option provides pressure and tank line signal ports.



Note: (With Gauge Option)
Level seal pipe plugs are furnished to plug unused gauge ports.

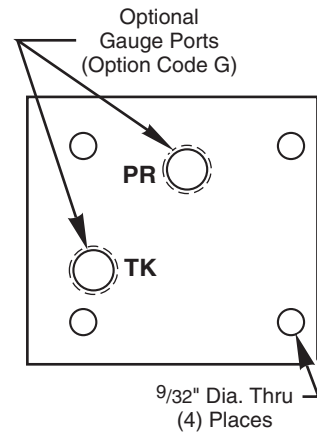
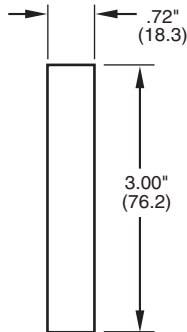
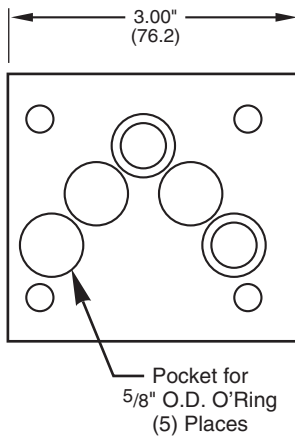


Supplied Hardware

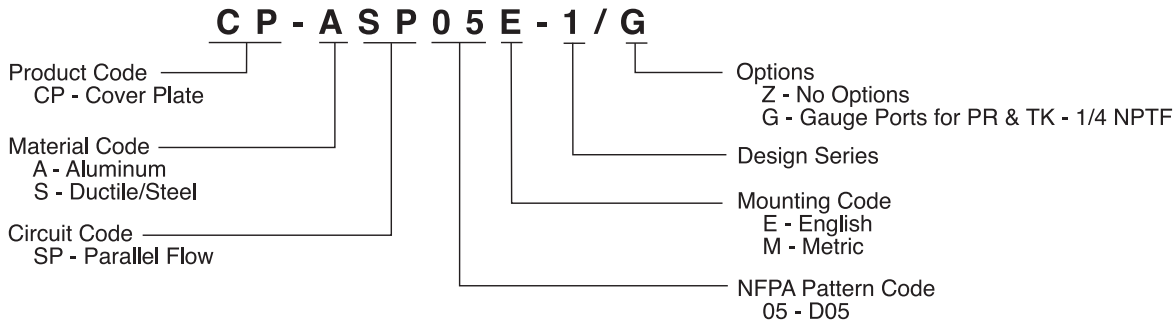
- Mounting Bolts — (4) M6-1.0 x 32mm S.H.C.S. (M - Mtg.Code)
- Mounting Bolts — (4) 1/4-20 x 1 1/4" S.H.C.S. (E - Mtg.Code)
- O-Rings — Viton (5) 5/8" OD x 1/2" ID x 1/16" CS
- Pipe Plugs — (2) 1/4" NPT Level Seal (See note above)

Part Numbers:	
Aluminum	Ductile/Steel
CP-ASP05_-1/Z	CP-SSP05_-1/Z
CP-ASP05_-1/G	CP-SSP05_-1/G

3



MAGNALOY D05 COVER PLATE PART NUMBER BREAKDOWN

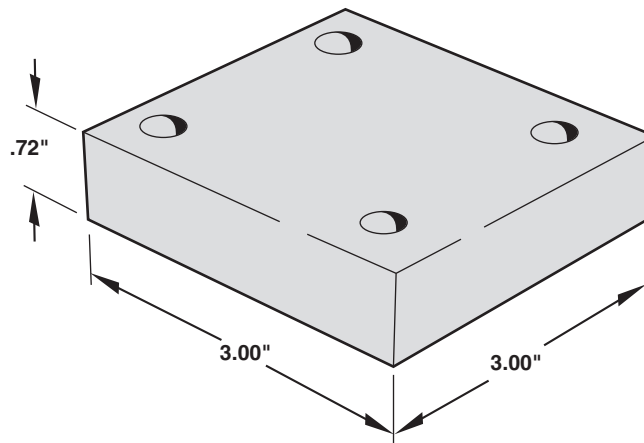
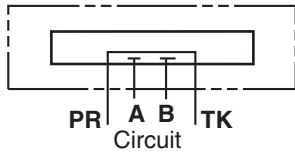


Cover Plates

D05 Cover Plate, Series Blank Off

Application:

Seals all valve ports and provides the pressure port common to tank port when used as a flush out plate or as a substitute for directional valve in a series circuit.

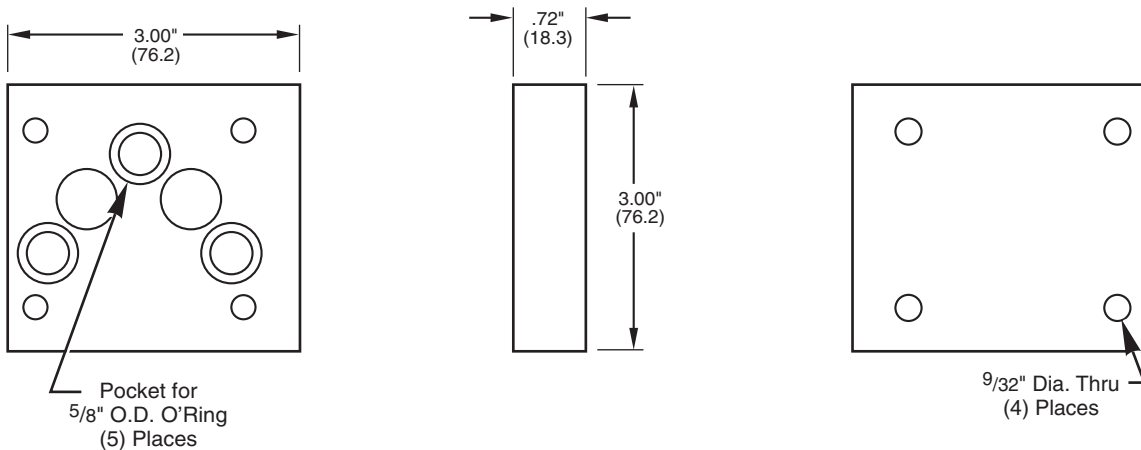


Supplied Hardware

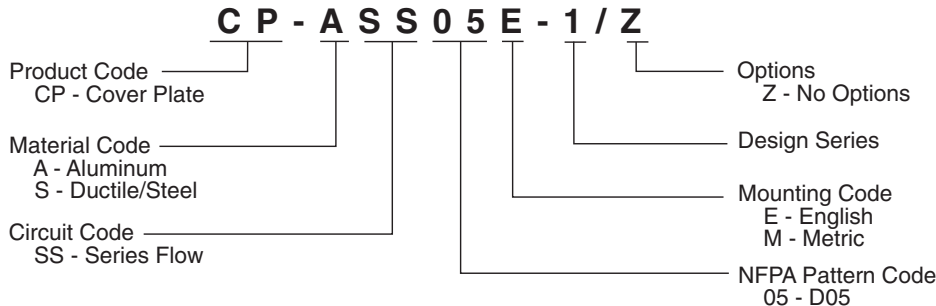
- Mounting Bolts — (4) M6-1.0 x 32mm S.H.C.S. (M - Mtg.Code)
- Mounting Bolts — (4) 1/4-20 x 1 1/4" S.H.C.S. (E - Mtg.Code)
- O-Rings — Viton (5) 5/8" OD x 1/2" ID x 1/16" CS

Part Numbers:	
Aluminum	Ductile/Steel
CP-ASS05_-1/Z	CP-SSS05_-1/Z

3

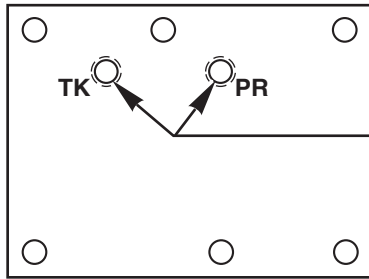
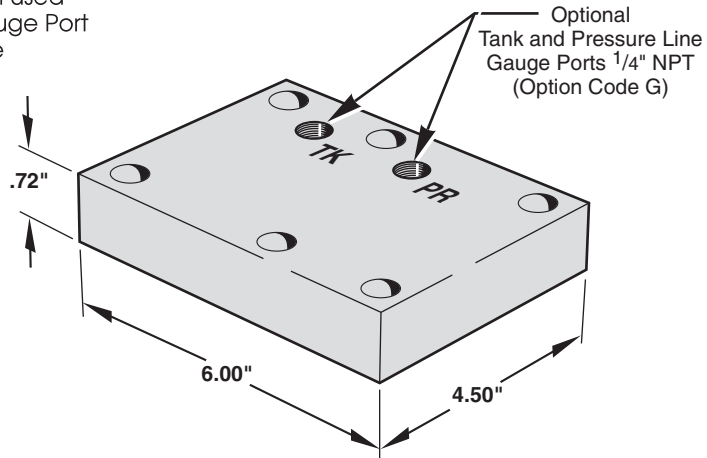
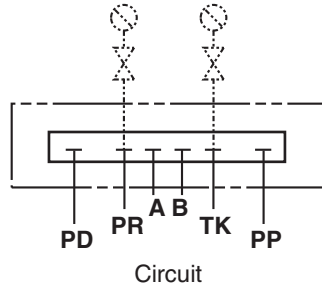


MAGNALOY D05 COVER PLATE PART NUMBER BREAKDOWN



Application:

Seals and isolates all valve ports when used as substitute for directional valve. Gauge Port option provides pressure and tank line signal ports.



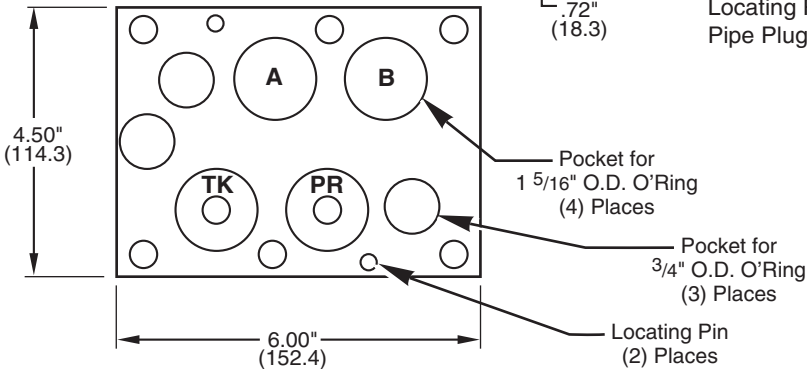
Optional Gauge Ports (Option Code G)

Part Numbers:	
Aluminum	Ductile/Steel
CP-ASP08_-1/Z	CP-SSP08_-1/Z
CP-ASP08_-1/G	CP-SSP08_-1/G

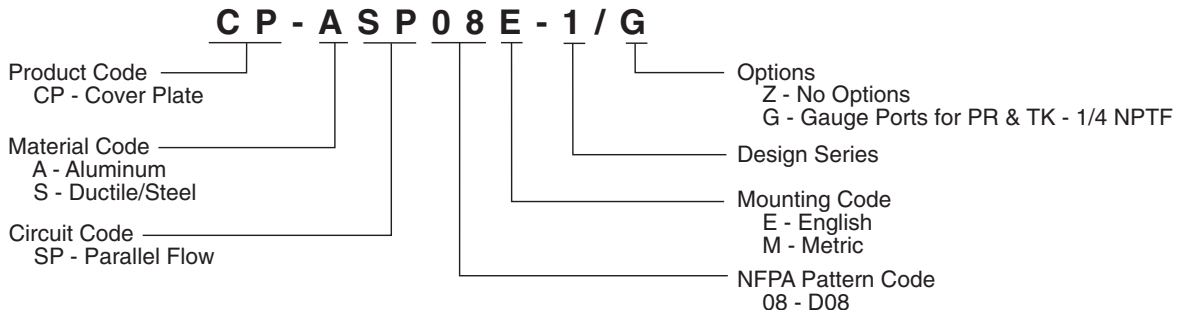
Supplied Hardware

- Mounting Bolts — (6) M12-1.75 x 38mm S.H.C.S. (M - Mtg.Code)
- Mounting Bolts — (6) 1/2-13 x 1 1/2" S.H.C.S. (E - Mtg.Code)
- O-Rings — Viton (3) 3/4" OD x 1/2" ID x 1/8" CS
- O-Rings — Viton (4) 1 5/16" OD x 1 1/16" ID x 1/8" CS
- Locating Pin — (2) 1/4" Dia. x 1/2" Roll Pin
- Pipe Plugs — (2) 1/4" NPT Level Seal

Note: (With Gauge Option)
Level Seal Pipe Plugs are furnished to plug unused gauge ports.



MAGNALOY D08 COVER PLATE PART NUMBER BREAKDOWN



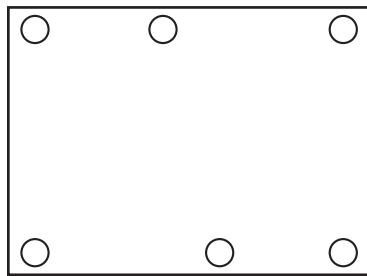
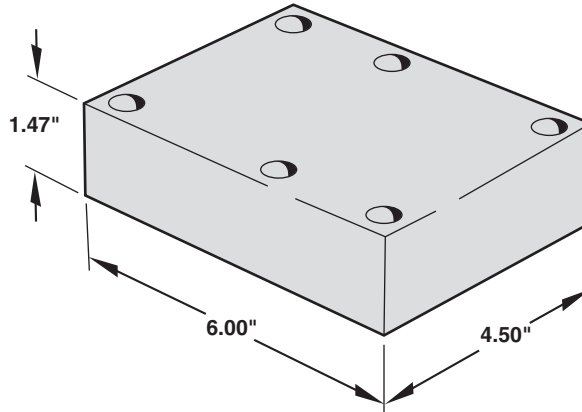
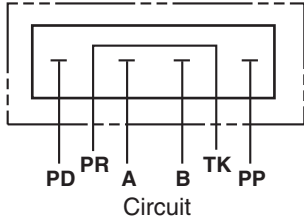
Cover Plates

D08 Cover Plate, Series Blank Off



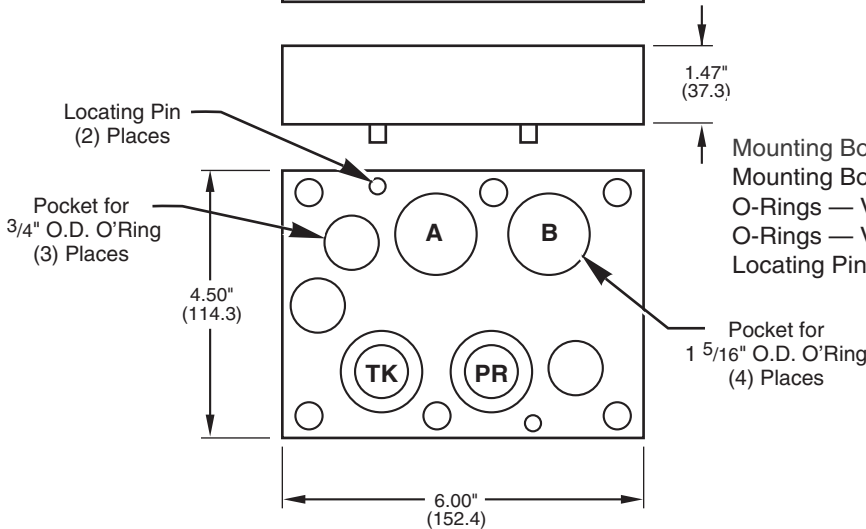
Application:

Seals all valve ports and provides the pressure port common to tank port when used as a flush out plate or as a substitute for directional valve in a series circuit.



Part Numbers:	
Aluminum	Ductile/Steel
CP-ASS08_-1/Z	CP-SSS08_-1/Z

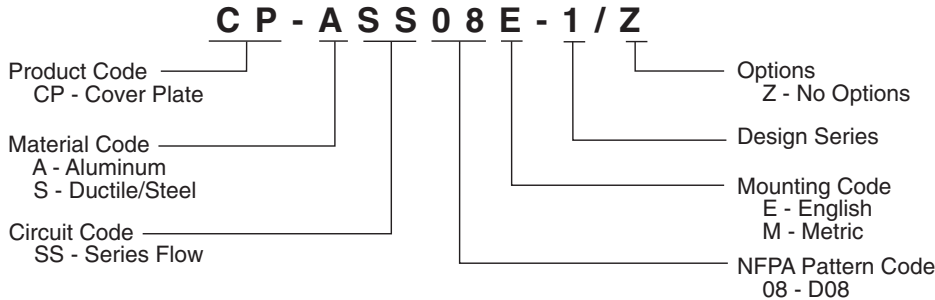
3



Supplied Hardware

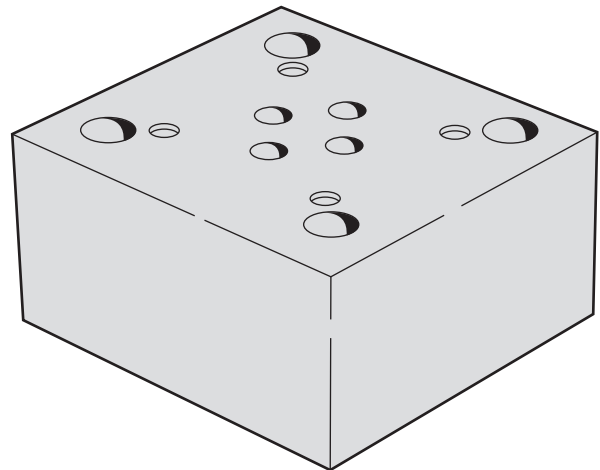
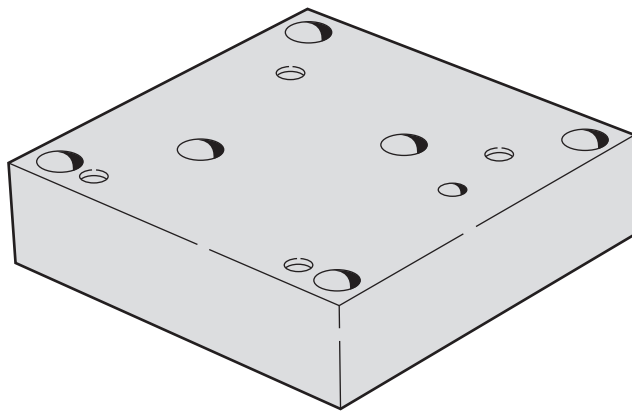
- Mounting Bolts — (6) M12-1.75 x 57mm S.H.C.S. (M - Mtg.Code)
- Mounting Bolts — (6) 1/2-13 x 2 1/4" S.H.C.S. (E - Mtg.Code)
- O-Rings — Viton (3) 3/4" OD x 1/2" ID x 1/8" CS
- O-Rings — Viton (4) 1 5/16" OD x 1 1/16" ID x 1/8" CS
- Locating Pin — (2) 1/4" Dia. x 1/2" Roll Pin

MAGNALOY D08 COVER PLATE PART NUMBER BREAKDOWN

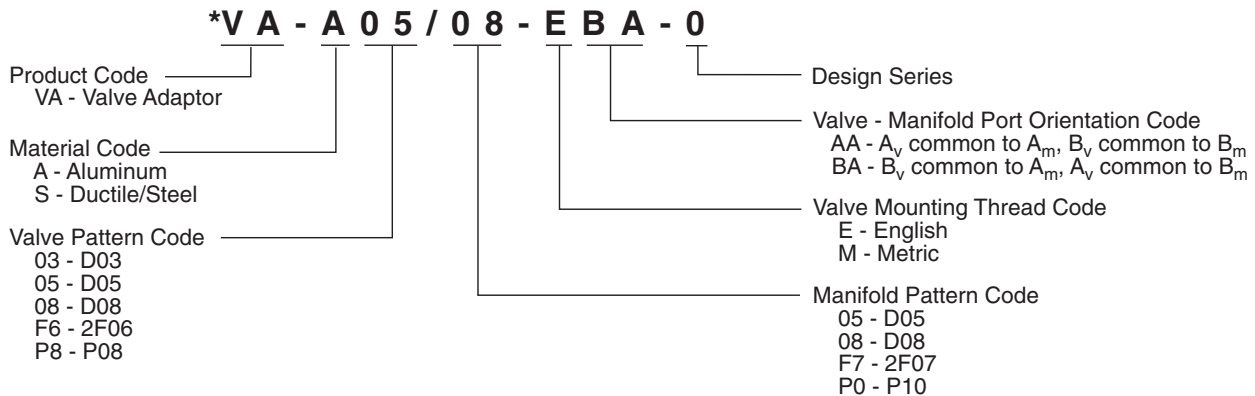


INDEX		Part Number	
Adaptors For Mounting Smaller Valve on Larger Valve Station		Aluminum	Ductile/Steel
93	NFPA D03 Valve on NFPA D05 Station	VA-A03/05-_BA-0	VA-S03/05-_BA-0
94	NFPA D05 Valve on NFPA D08 Station	VA-A05/08-_BA-0	VA-S05/08-_BA-0
95	NFPA 2F06 Valve on NFPA 2F07 Station	VA-AF6/F7-_AA-0	VA-SF6/F7-_AA-0
96	NFPA P-08 Valve on NFPA P-10 Station	VA-AP8/P0-_AA-0	VA-SP8/P0-_AA-0

3



MAGNALOY VALVE ADAPTOR PART NUMBER BREAKDOWN

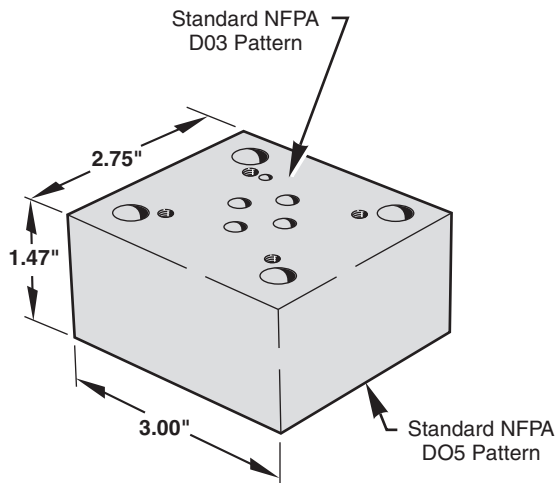


* See following Valve Adaptor Pages for specific Magnaloy standard configurations with options.

Directional Valve Pattern Valve Adaptor - D03 to D05

Application:

Adapts valve with NFPA D03 pattern to NFPA D05 pattern with either all ports common (AA) or the D03 "A" & "B" ports reversed to connect to the D05 "A" & "B" ports (BA)



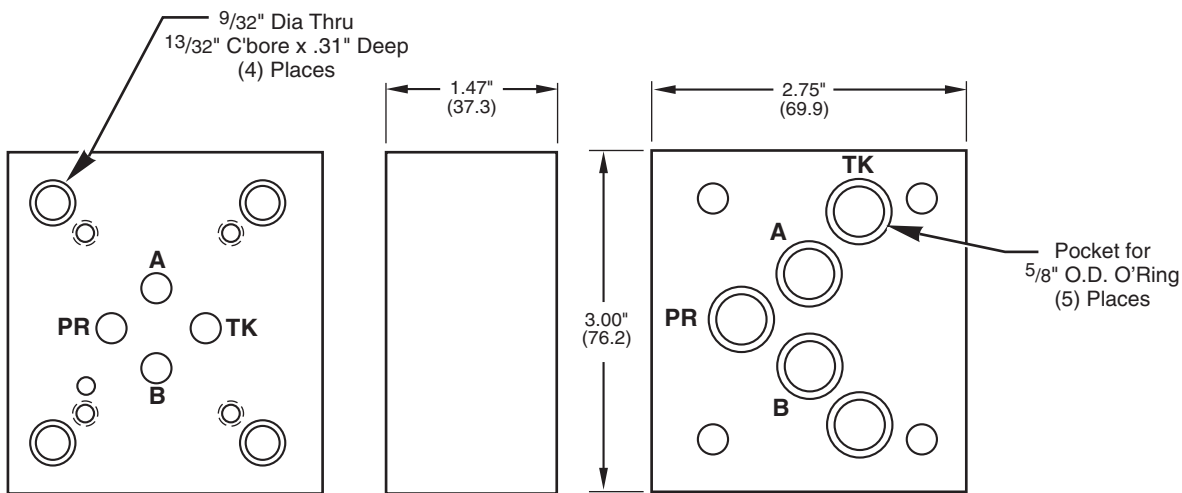
Supplied Hardware

- Mounting Bolts — (4) M6-1.0 x 38mm S.H.C.S. (M - Mtg.Code)
- Mounting Bolts — (4) 1/4-20 x 1 1/2" S.H.C.S. (E - Mtg.Code)
- O-Rings — Viton (5) 5/8" OD x 1/2" ID x 1/16" CS

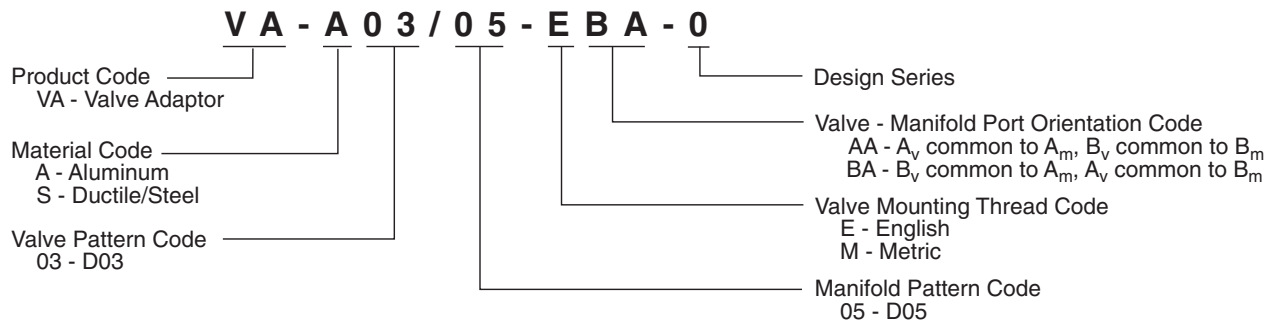
Part Numbers:

Aluminum	Ductile/Steel
VA-A03/05-BA-0	VA-S03/05-BA-0
VA-A03/05-AA-0	VA-S03/05-AA-0

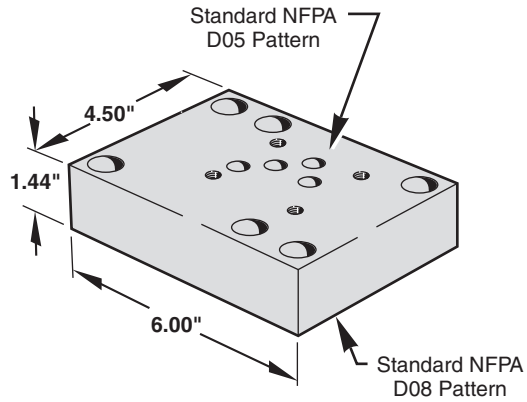
3



MAGNALOY VALVE ADAPTOR PART NUMBER BREAKDOWN



Application:
Adapts valve with NFFA D05 pattern to NFFA D08 pattern.



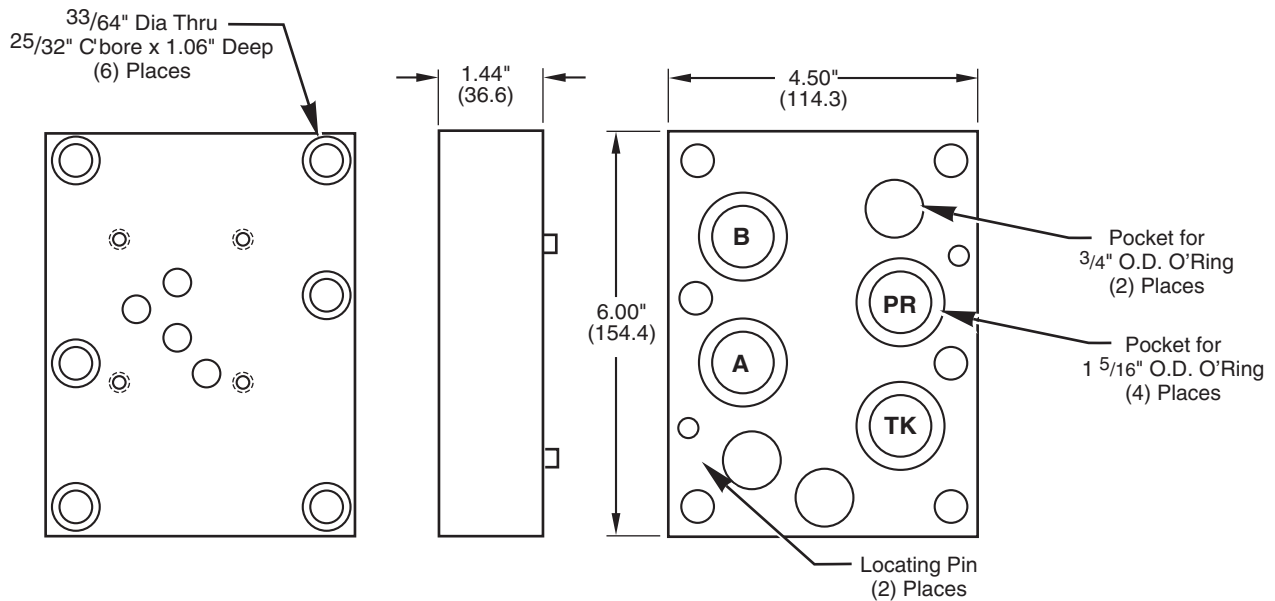
Supplied Hardware

- Mounting Bolts — (6) M12-1.75 x 38mm S.H.C.S. (M - Mtg.Code)
- Mounting Bolts — (6) 1/2-13 x 1 1/2" S.H.C.S. (E - Mtg.Code)
- O-Rings — Viton (3) 3/4" OD x 1/2" ID
- O-Rings — Viton (4) 1 5/16" OD x 1 1/16" ID
- Locating Pin — (2) 1/4" x 1/2" Roll Pin

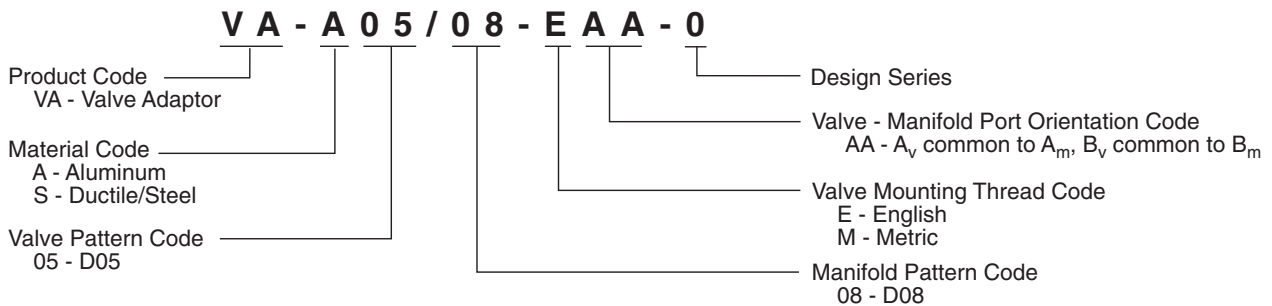
Part Numbers:

Aluminum	Ductile/Steel
VA-A05/08-AA-0	VA-S05/08-AA-0

3

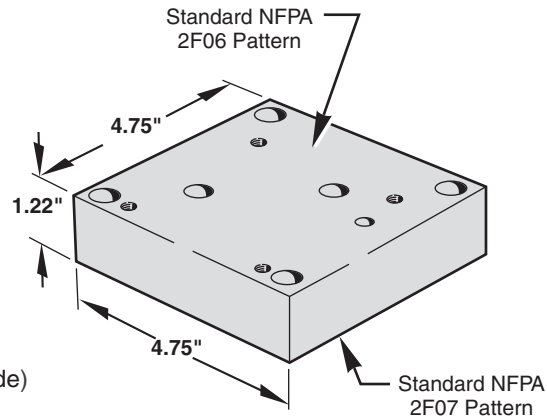


MAGNALOY VALVE ADAPTOR PART NUMBER BREAKDOWN



Directional Valve Pattern Valve Adaptor - 2F06 to 2F07

Application:
Adapts valve with NFPA 2F06 pattern to NFPA 2F07 pattern.

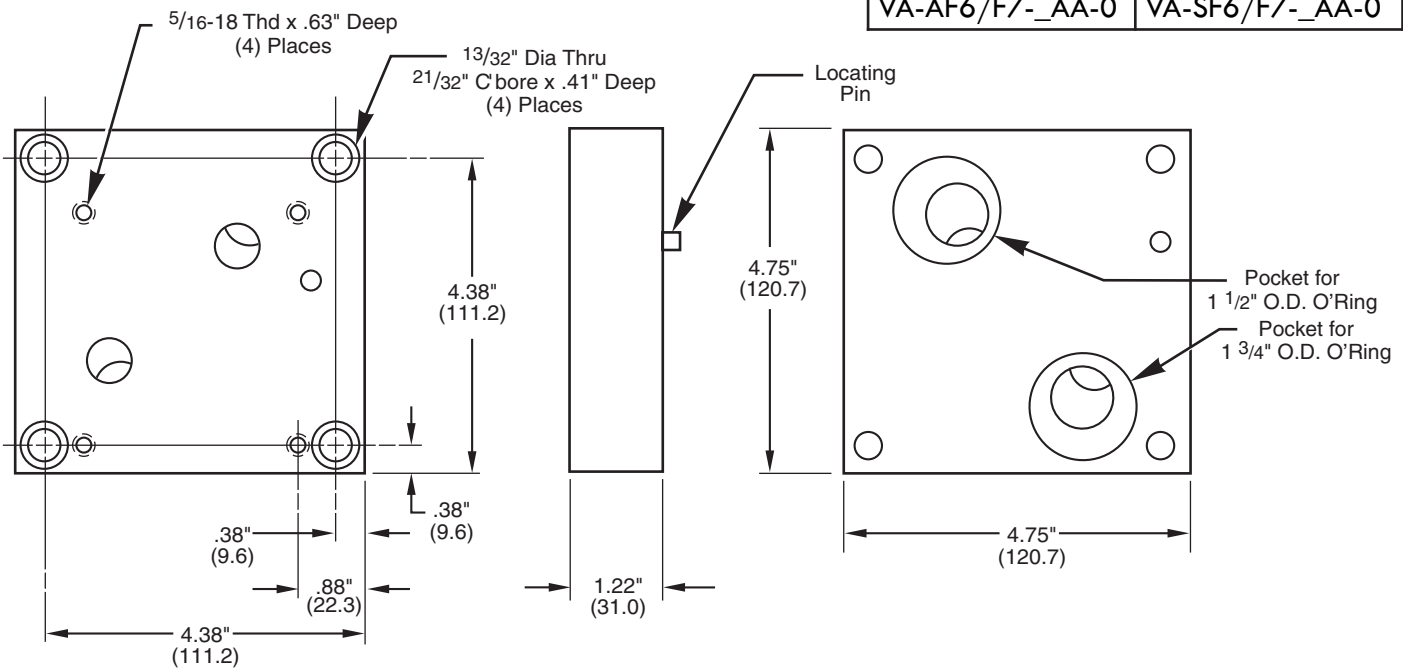


Supplied Hardware

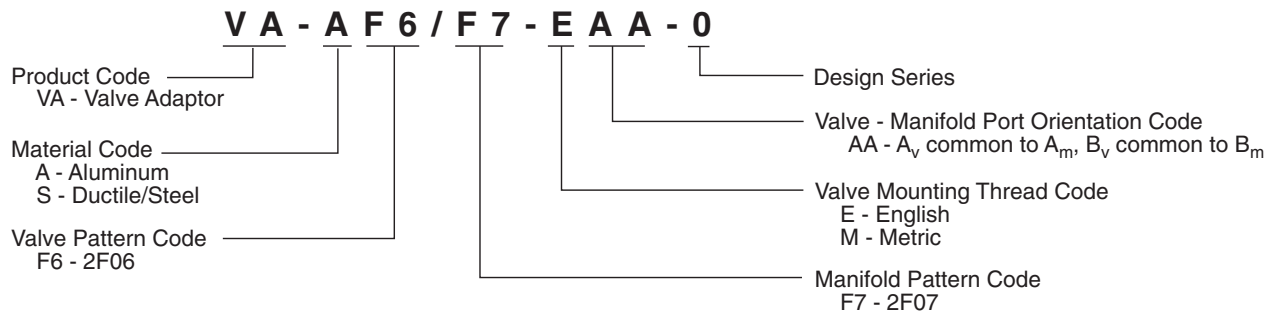
- Mounting Bolts — (4) M10-1.5 x 32mm S.H.C.S. (M - Mtg.Code)
- Mounting Bolts — (4) 3/8-16 x 1 1/4" S.H.C.S. (E - Mtg.Code)
- O-Rings — Viton (1) 1 1/2" OD x 1 1/4" ID x 1/8" CS
- O-Rings — Viton (1) 1 3/4" OD x 1 1/2" ID x 1/8" CS
- Locating Pin — (1) 1/4" Dia. x 1/2" Roll Pin

Part Numbers:

Aluminum	Ductile/Steel
VA-AF6/F7- <u>AA</u> -0	VA-SF6/F7- <u>AA</u> -0



MAGNALOY VALVE ADAPTOR PART NUMBER BREAKDOWN

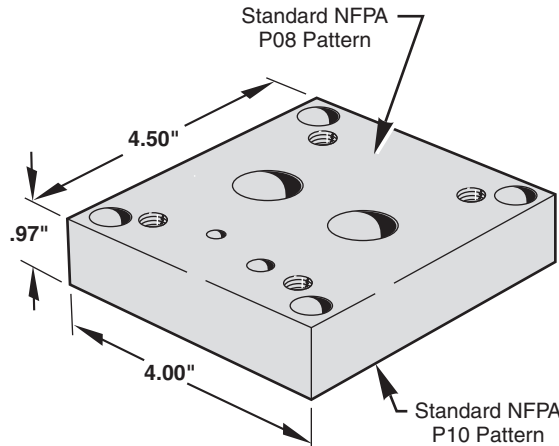


Application:

Adapts a 3/4" pressure control valve (NFWA P08) to a 1 1/4" pressure control valve pattern (P10).

Note:

This adaptor is for use with internally drained valves. A passage is provided for external pilot pressure.



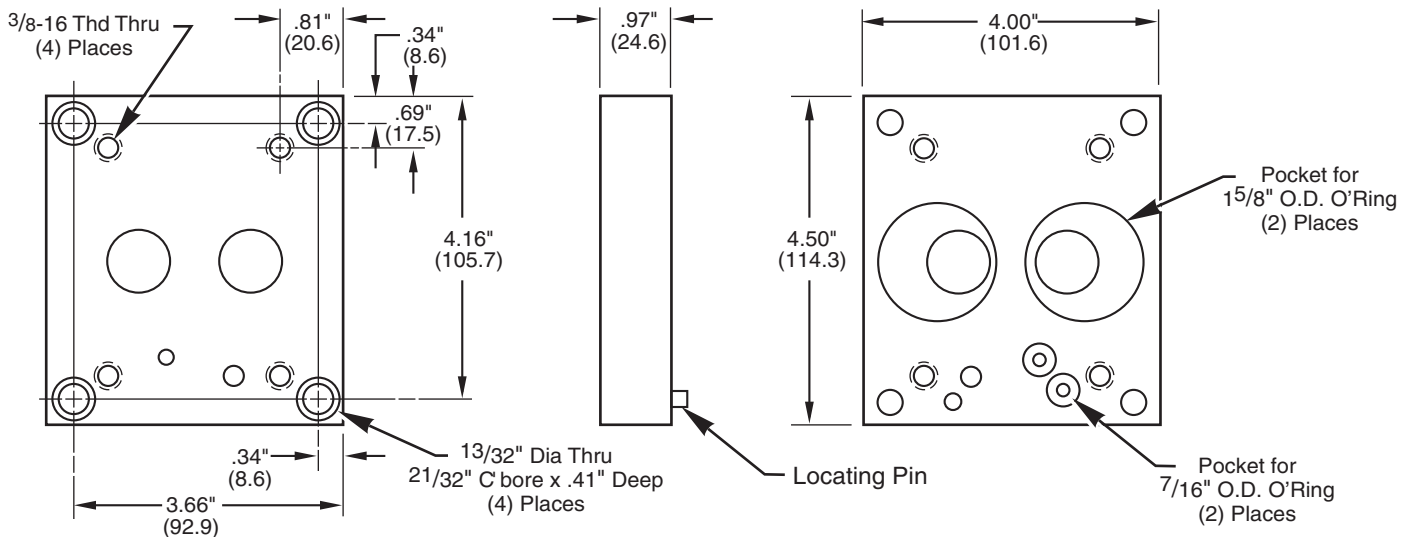
Supplied Hardware

- Mounting Bolts — (4) M10-1.5 x 32mm S.H.C.S. (M - Mtg.Code)
- Mounting Bolts — (4) 3/8-16 x 1 1/4" S.H.C.S. (E - Mtg.Code)
- O-Rings — Viton (2) 7/16" OD x 5/16" ID x 1/16" CS
- O-Rings — Viton (2) 1 5/8" OD x 1 3/8" ID x 1/8" CS
- Locating Pin — 1/4" Dia. x 1/2" Roll Pin

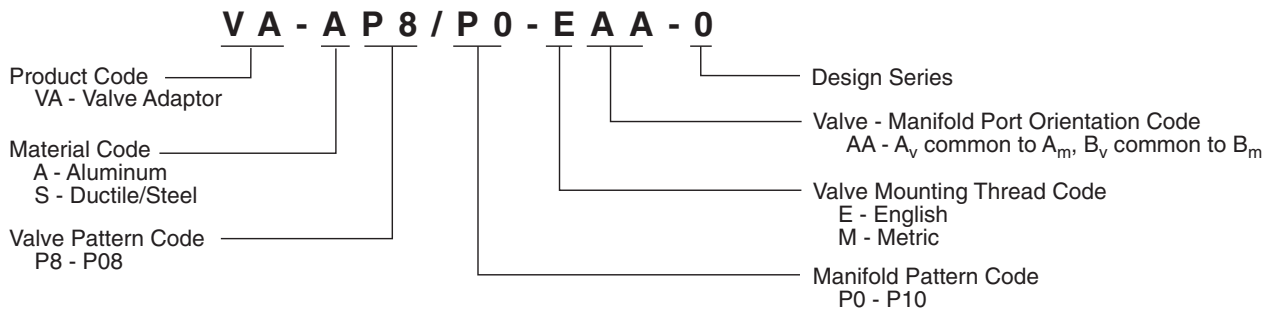
Part Numbers:

Aluminum	Ductile/Steel
VA-AP8/P0-AA-0	VA-SP8/P0-AA-0

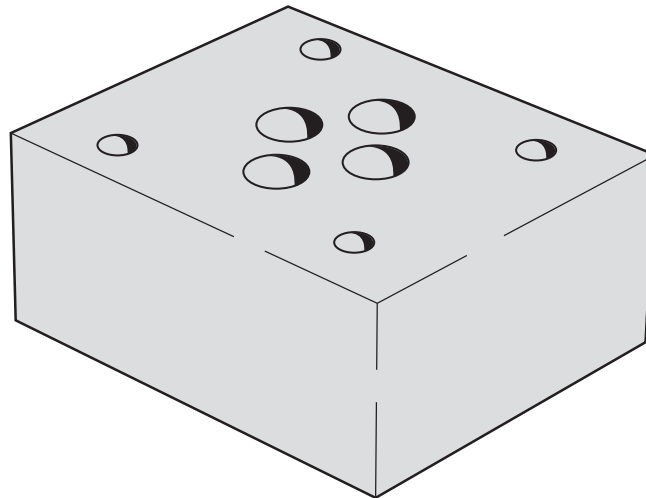
3



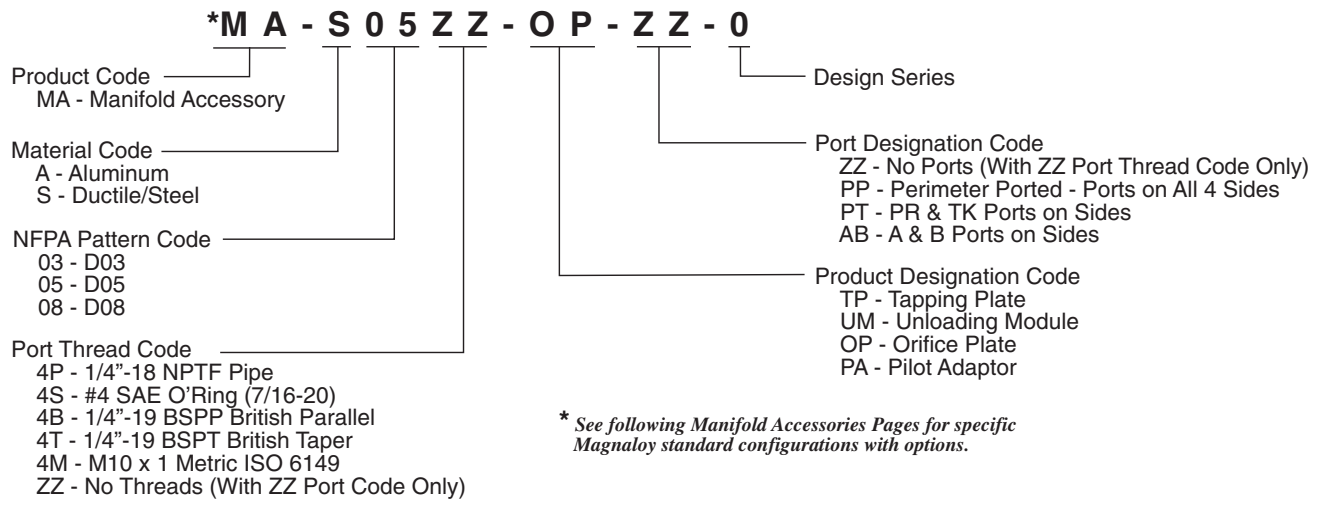
MAGNALOY VALVE ADAPTOR PART NUMBER BREAKDOWN



INDEX		Part Number	
page	Pilot Adaptors	Aluminum	Ductile/Steel
98	For Use with NFPA D05 Valves	MA-A05ZZ-PA-ZZ-0	MA-A05ZZ-PA-ZZ-0
	Unloading (Venting) Module	Aluminum	Ductile/Steel
99	For Use with NFPA D05 Valves	MA-A05ZZ-UM-ZZ-0	MA-S05ZZ-UM-ZZ-0
	Orifice Plates	Aluminum	Ductile/Steel
100	For Use with NFPA D03 Valves	MA-A03ZZ-OP-ZZ-0	MA-S03ZZ-OP-ZZ-0
101	For Use with NFPA D05 Valves	MA-A05ZZ-OP-ZZ-0	MA-S05ZZ-OP-ZZ-0
	Tapping Plates	Aluminum	Ductile/Steel
102	For Use with NFPA D03 Valves	MA-A03__-TP-__-1	MA-S03__-TP-__-1
103	For Use with NFPA D05 Valves	MA-A05__-TP-__-1	MA-S05__-TP-__-1
104	For Use with NFPA D08 Valves	MA-A08__-TP-__-1	MA-S08__-TP-__-1



MAGNALOY MANIFOLD ACCESSORY PART NUMBER BREAKDOWN

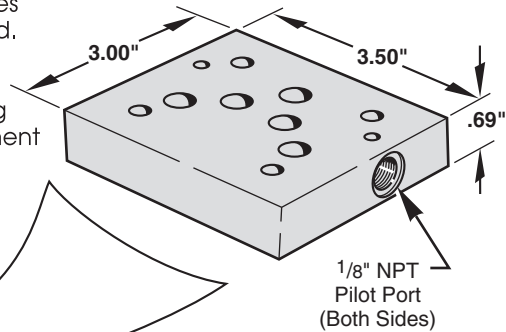
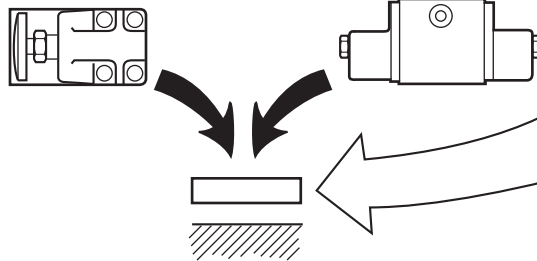


Application:

Allows mounting a Vickers Model DG18 4-01XX-50 air piloted directional control valve on standard subplates and manifolds. 1/8" NPT pilot connections are provided.

or

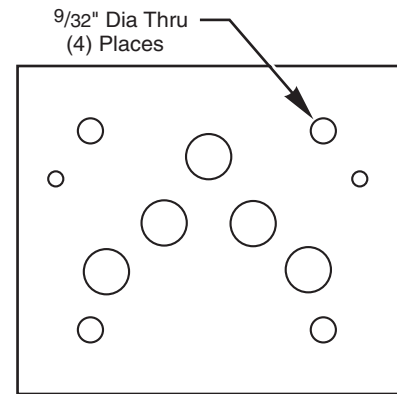
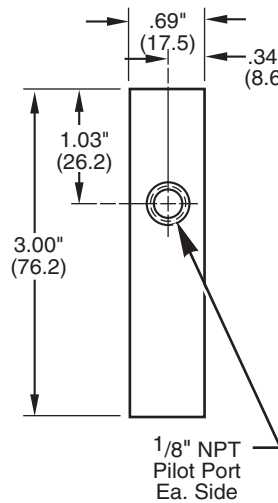
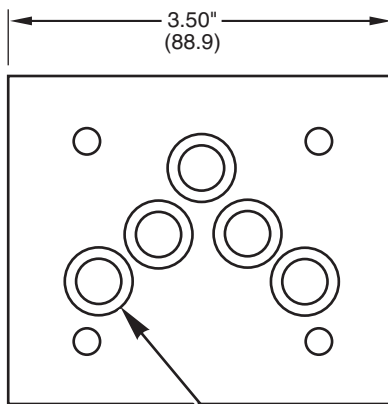
Allows for plumbing of the external drain line of a Vickers Model DGX-01-XX sandwich pressure reducing valve module, thus permitting removal and replacement of the DGX-01-XX without disturbing that connection.



Part Numbers:	
Aluminum	Ductile/Steel
MA-A05ZZ-PA-ZZ-0	MA-S05ZZ-PA-ZZ-0

Supplied

O-Rings — Viton (5) 5/8" OD x 1/2" ID x 1/16" CS



Pocket for 5/8" O.D. O'Ring (5) Places

1/8" NPT Pilot Port Ea. Side

9/32" Dia Thru (4) Places

MAGNALOY MANIFOLD ACCESSORY PART NUMBER BREAKDOWN

MA - A 0 5 Z Z - PA - Z Z - 0

Product Code
MA - Manifold Accessory

Material Code
A - Aluminum
S - Ductile/Steel

Valve Pattern Code
05 - D05

Port Thread Code
ZZ - No Threads

Design Series

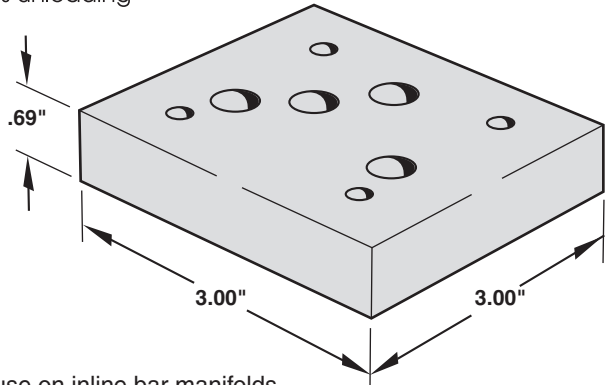
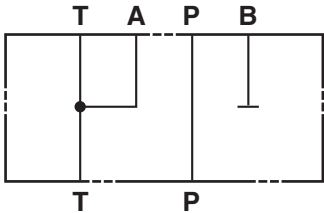
Port Designation Code
ZZ - No Ports

Product Designation Code
PA - Pilot Adaptor

D05 Unloading Module

Application:

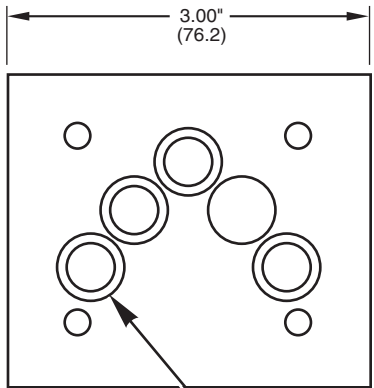
This module allows unloading or venting pump pressure during idle machine cycles. It is mounted between a single solenoid, spring offset directional control valve (NFPA D05 size) and the manifold. When the valve is in the P to A position, this module directs the pump flow back to tank, thus unloading the pump. When the directional control valve is in the P to B position, the B port is blocked and pump flow is directed to other system control valves.



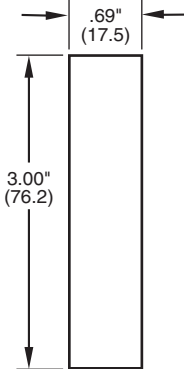
Ideal for use on inline bar manifolds with cartridge relief valve.

Supplied Hardware

O-Rings — Viton (5) 5/8" OD x 1/2" ID x 1/16" CS

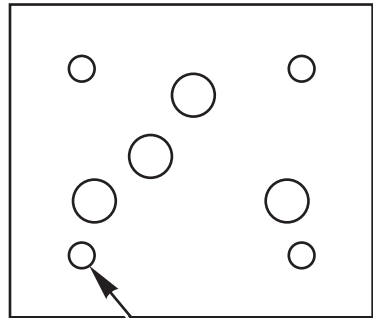


Pocket for 5/8" O.D. O'Ring (5) Places



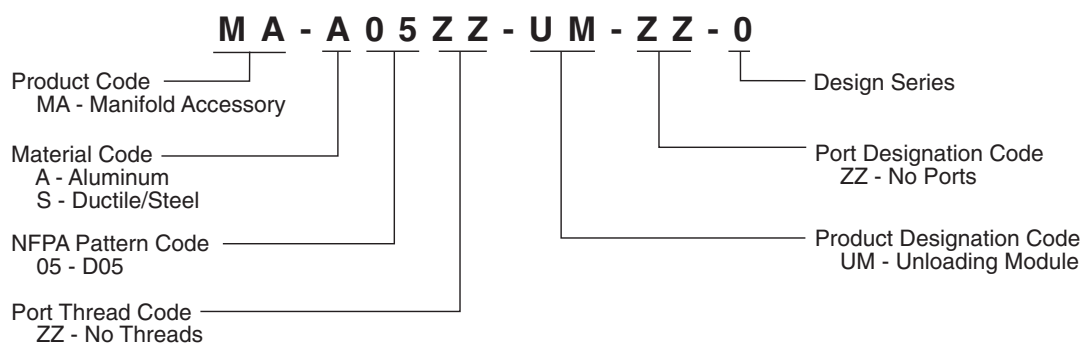
Part Numbers:	
Aluminum	Ductile/Steel
MA-A05ZZ-UM-ZZ-0	MA-S05ZZ-UM-ZZ-0

3



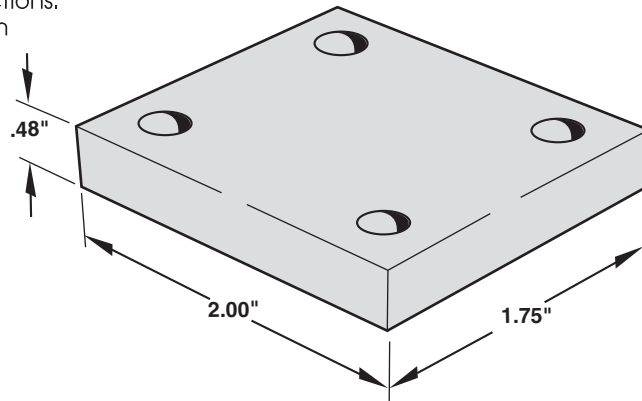
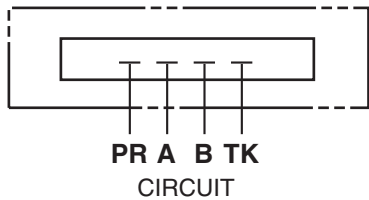
9/32" Dia Thru (4) Places

MAGNALOY MANIFOLD ACCESSORY PART NUMBER BREAKDOWN



Applications:

- To mount between a D03 4-way valve and a mounting surface.
- To provide for customer drilling of holes for orifices in any of the 4 port connections. Any port may be drilled to a maximum of .25" dia or may be left blocked.



Supplied Hardware

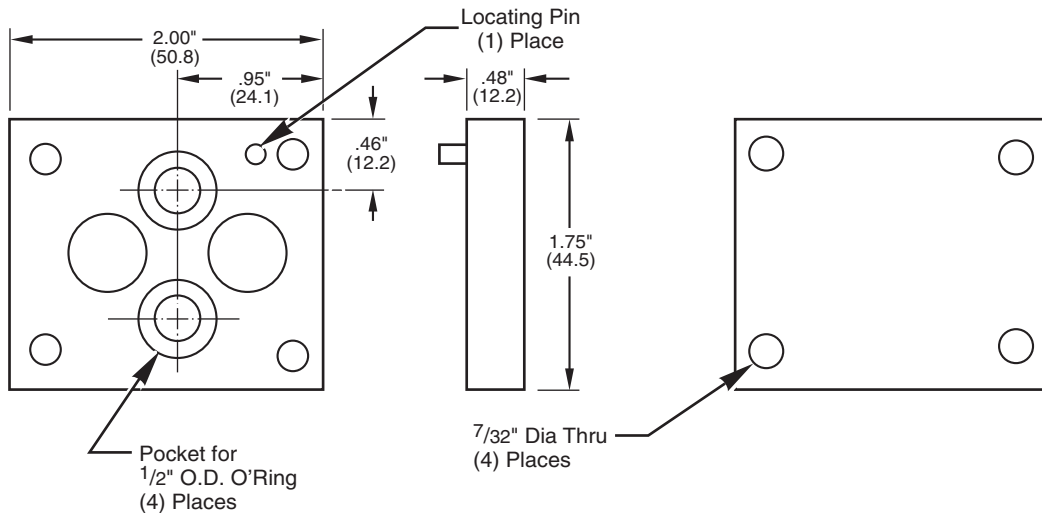
O-Rings — Viton (5) 1/2" OD x 3/8" ID x 1/16" CS
Locating Pin — (1) 1/8" x 3/8" Roll Pin

Note:

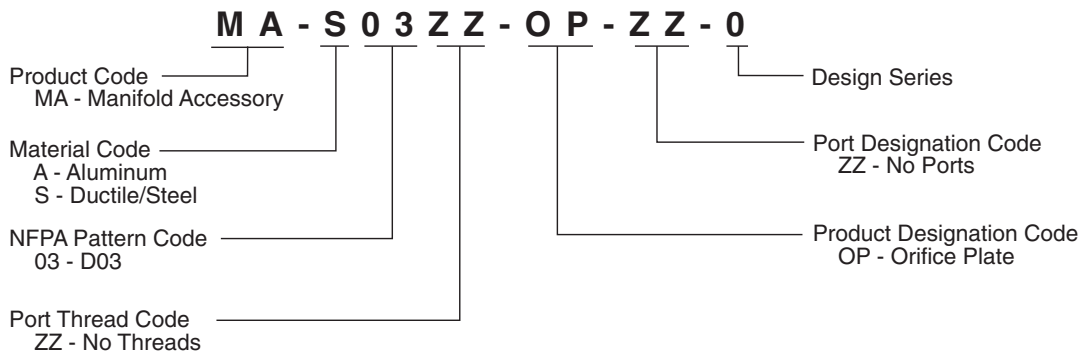
Maximum allowable drill is .25" dia.

Part Numbers:

Aluminum	Ductile/Steel
MA-A03ZZ-OP-ZZ-0	MA-S03ZZ-OP-ZZ-0



MAGNALOY MANIFOLD ACCESSORY PART NUMBER BREAKDOWN

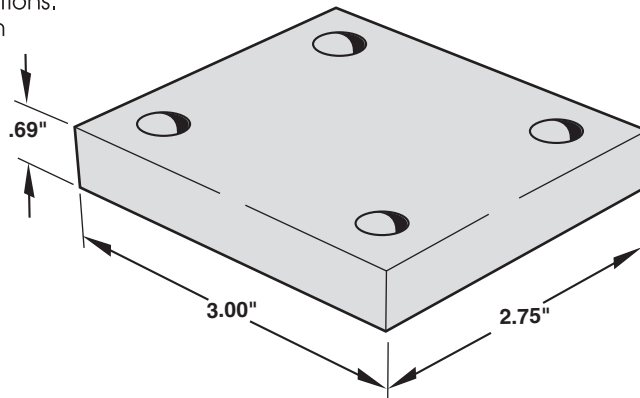
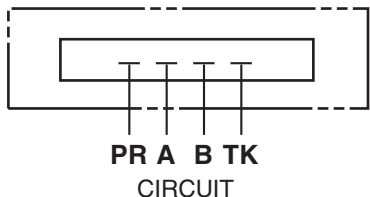


Manifold Accessories

D05 Orifice Plate

Applications:

- To mount between a DO5 4-way valve and a mounting surface.
- To provide for customer drilling of holes for orifices in any of the 5 port connections. Any port may be drilled to a maximum of .438" dia or may be left blocked.



Supplied Hardware

O-Rings — Viton (5) 5/8" OD x 1/2" ID x 1/16" CS

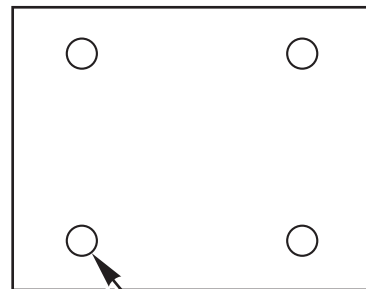
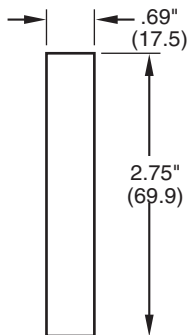
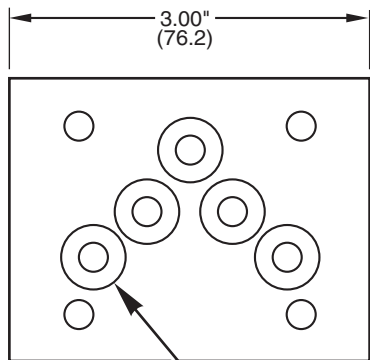
Note:

Maximum allowable drill is .438" dia.

Part Numbers:

Aluminum	Ductile/Steel
MA-A05ZZ-OP-ZZ-0	MA-S05ZZ-OP-ZZ-0

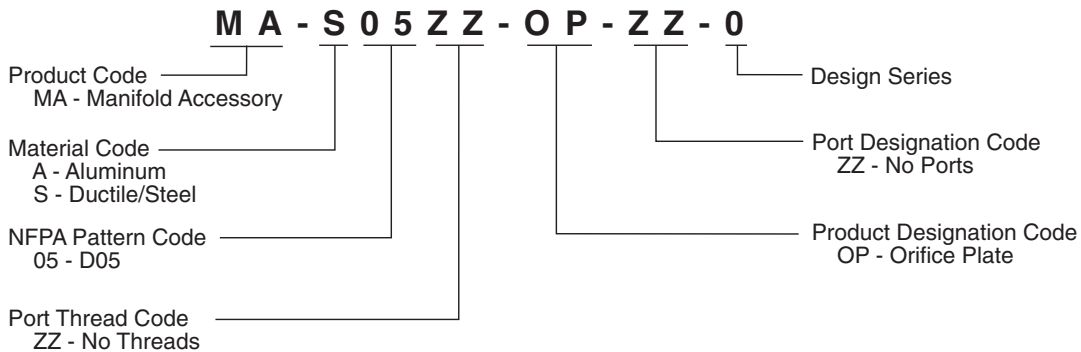
3



Pocket for 5/8" O.D. O'Ring (5) Places

9/32" Dia Thru (4) Places

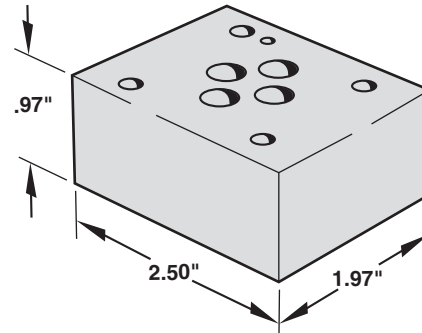
MAGNALOY MANIFOLD ACCESSORY PART NUMBER BREAKDOWN



Application:

Module with NFPA D03 pattern for use between the valve and a mounting surface, providing additional ports where needed for external pilot connections, gauges, etc. Eliminates added plumbing.

Supplied from stock with drilled and tapped ports in ordered locations.



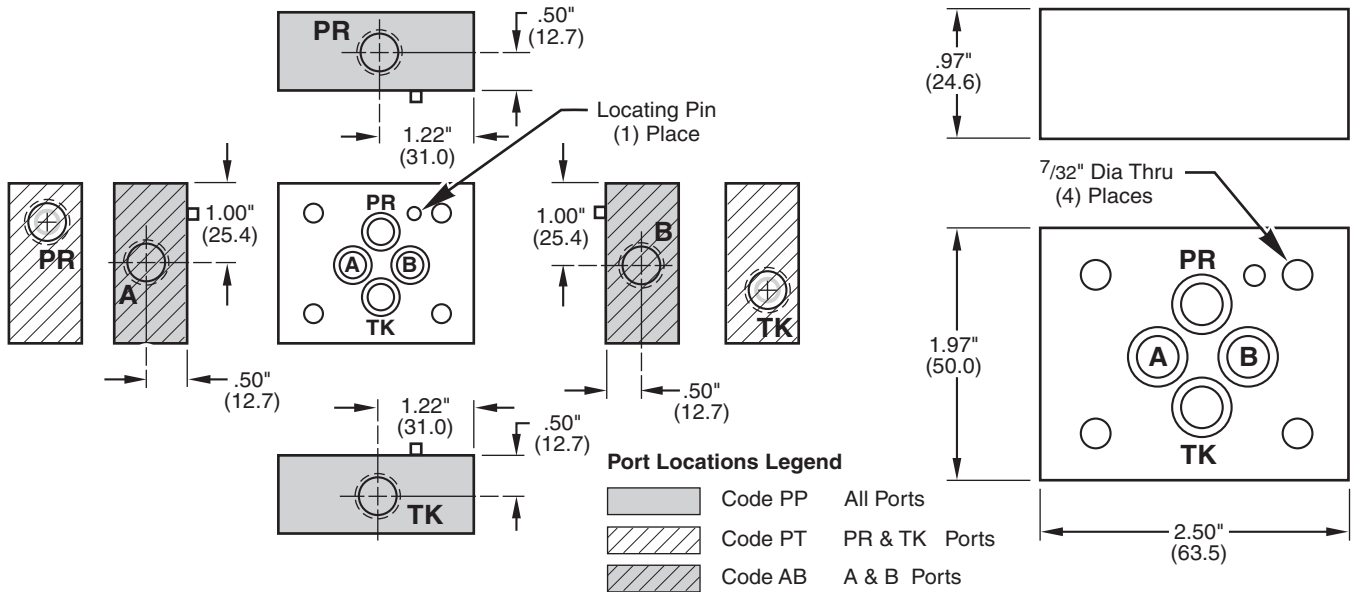
Supplied Hardware

O-Rings — Viton (4) 1/2" OD x 3/8" ID x 1/16" CS
Locating Pin — (1) 1/8" x 3/8" Roll Pin

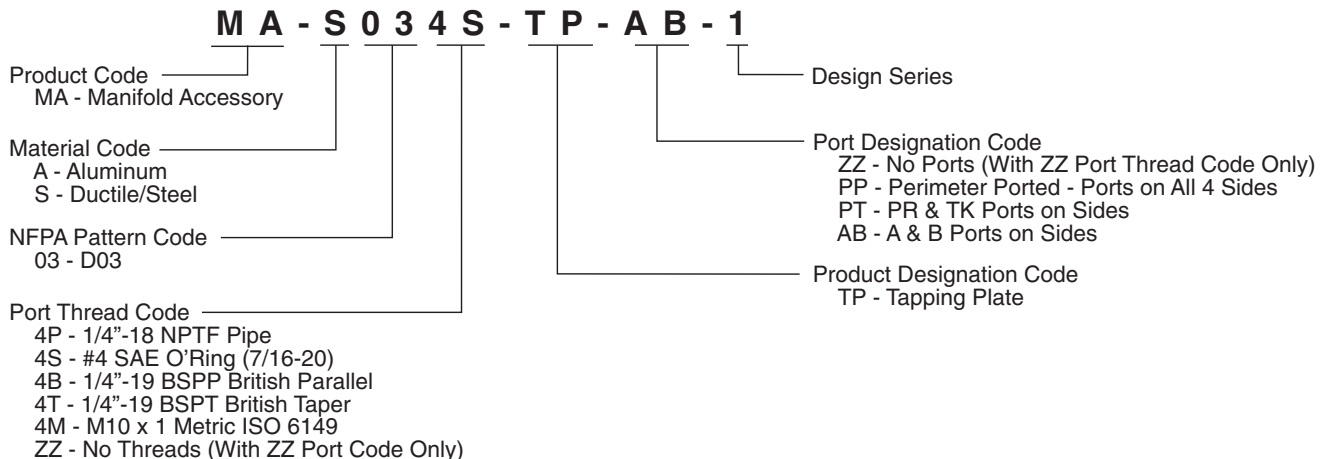
Part Numbers:

Aluminum	Ductile/Steel
MA-A03__-TP-__-1	MA-S03__-TP-__-1

3



MAGNALOY MANIFOLD ACCESSORY PART NUMBER BREAKDOWN

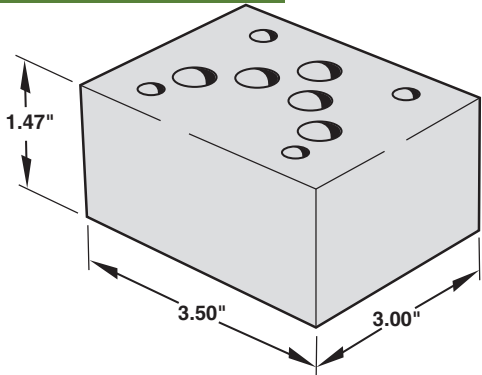


Manifold Accessories

D05 Tapping Plate

Application:

Module with NFPA D05 pattern for use between the valve and a mounting surface, providing additional ports where needed for external pilot connections, gauges, etc. Eliminates added plumbing.



Supplied Hardware

O-Rings — Viton (5) 5/8" OD x 1/2" ID x 1/16" CS

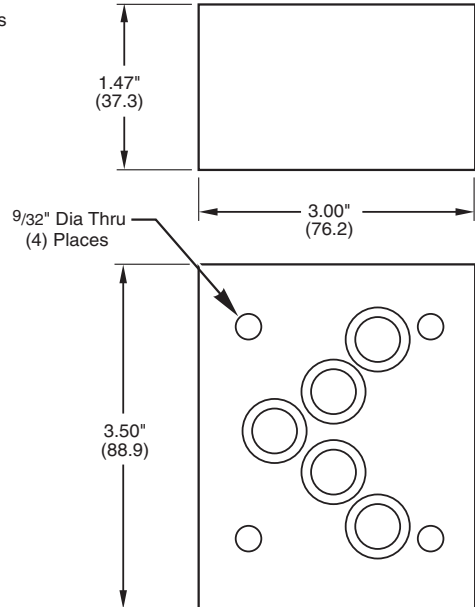
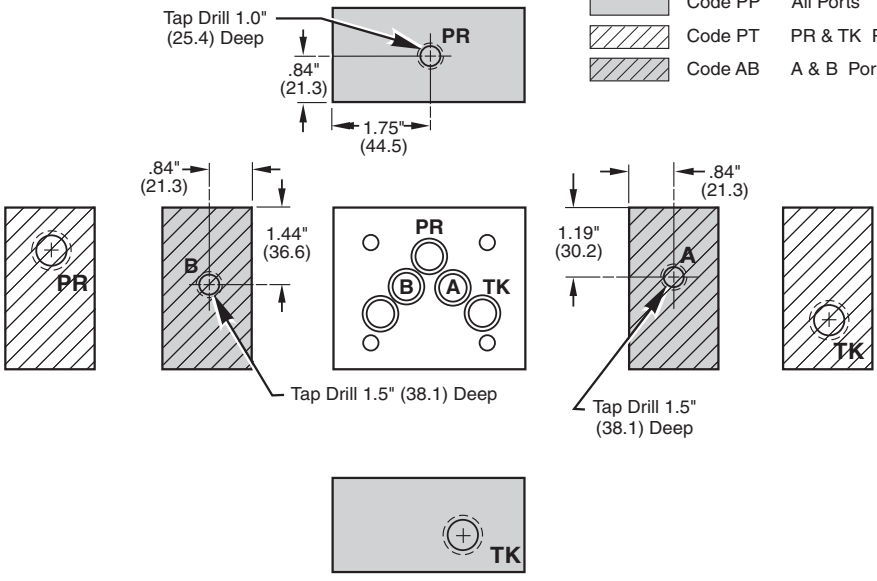
Part Numbers:

Aluminum	Ductile/Steel
MA-A05__-TP-__-1	MA-S05__-TP-__-1

SUGGESTED PORT LOCATIONS

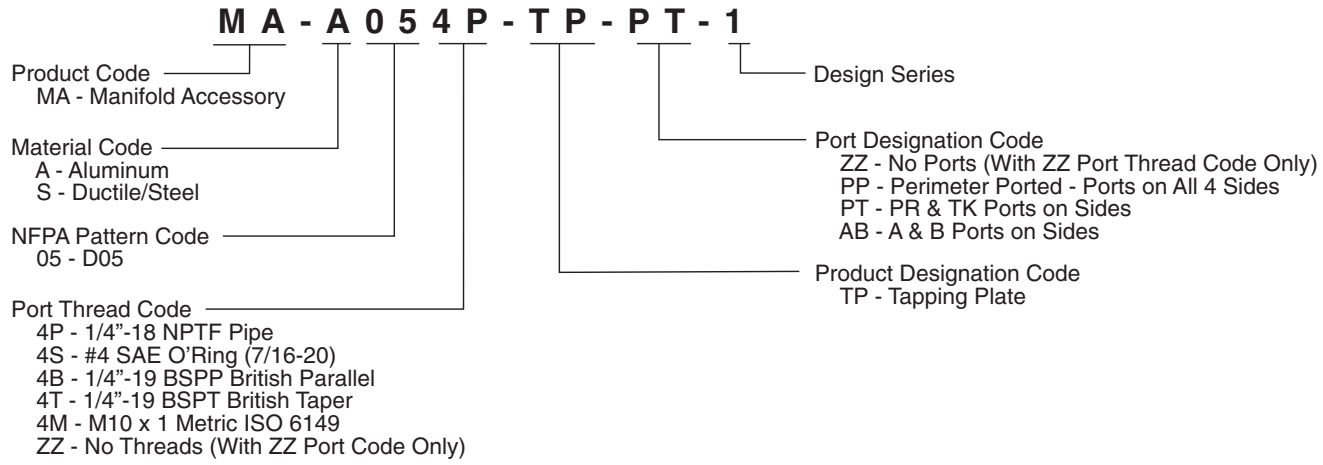
Port Locations Legend

- Code PP All Ports
- Code PT PR & TK Ports
- Code AB A & B Ports



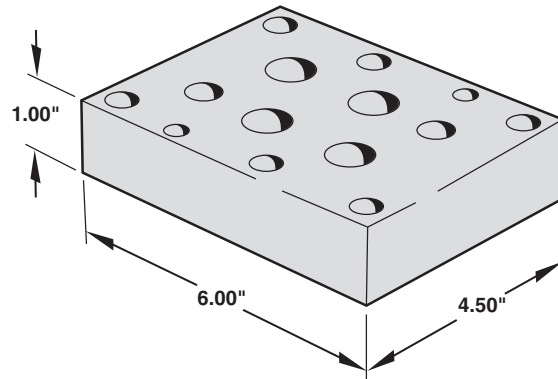
3

MAGNALOY MANIFOLD ACCESSORY PART NUMBER BREAKDOWN



Application:

Module with NFPA D08 pattern for use between the valve and a mounting surface, providing additional ports where needed for external pilot connections, gauges, etc. Eliminates added plumbing.



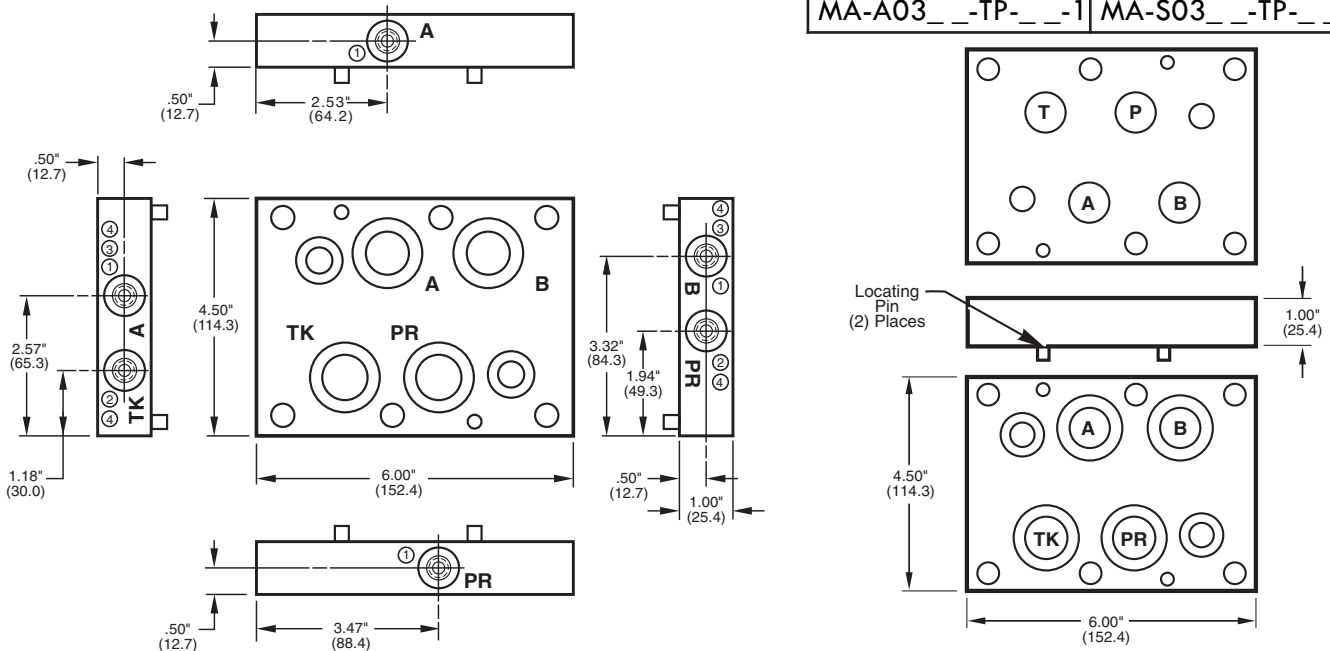
Supplied Hardware

- Loc. Pins (2) 1/4" Dia. x 1/2" LG
- O-Rings — Viton (2) 3/4" OD x 1/2" ID
- O-Rings — Viton (4) 1.312" OD x 1.06" ID

Part Numbers:

Aluminum	Ductile/Steel
MA-A03__-TP-__-1	MA-S03__-TP-__-1

CODED PORT LOCATIONS



3

MAGNALOY MANIFOLD ACCESSORY PART NUMBER BREAKDOWN

MA - A 0 8 4 P - T P - P T - 1

Product Code
MA - Manifold Accessory

Material Code
A - Aluminum
S - Ductile/Steel

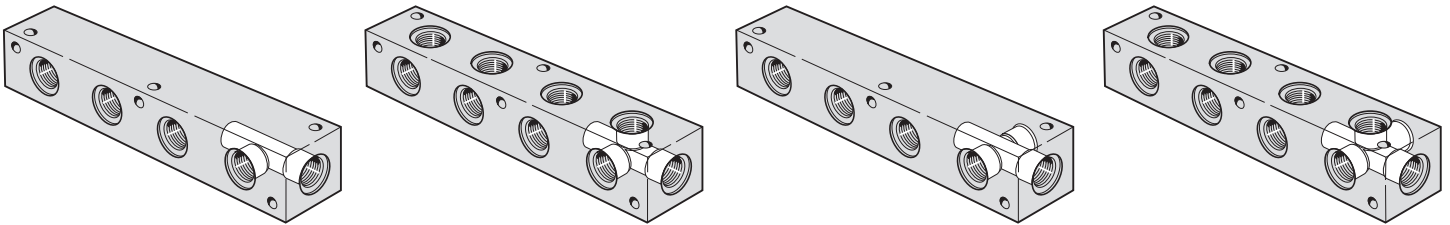
NFPA Pattern Code
08 - D08

Port Thread Code
4P - 1/4"-18 NPTF Pipe
4S - #4 SAE O'Ring (7/16-20)
4B - 1/4"-19 BSPP British Parallel
4T - 1/4"-19 BSPT British Taper
4M - M10 x 1 Metric ISO 6149
ZZ - No Threads (With ZZ Port Code Only)

Design Series

Port Designation Code
ZZ - No Ports (With ZZ Thread Code Only)
① PP - Perimeter Ported - Ports on All 4 Sides
② PT - PR & TK Ports on Short Sides
③ AB - A & B Ports on Short Sides
④ PS - All Ports - Short Sides

Product Designation Code
TP - Tapping Plate

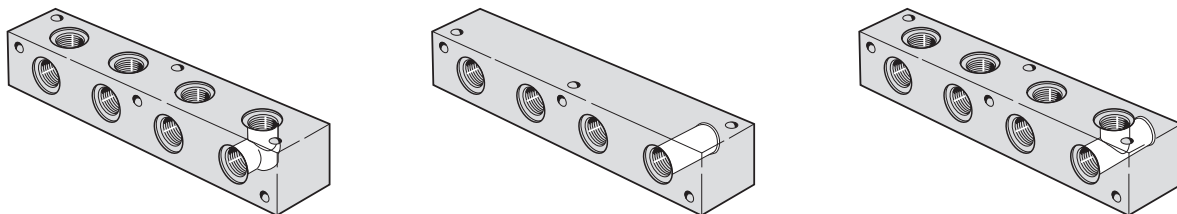


Header Bar Manifolds: Magnaloy's Header Manifolds are designed with the outlet ports connected to a common inlet port thru the center of the manifold. Header Manifolds are ordered by specifying the End Port (Inlet) Thread size and Side Port (Outlet) Thread size and the Port angle which specifies the orientation of the outlet ports. Metric End and Side Port Threads are also available (consult Factory).

HEADER MANIFOLD HARDWARE

PART NO.	MOUNTING BOLTS
H - 02P/ - - -1/Z	(2) or (3) 1/4-20 UNC x 2.00 Long S.H.C.S.
H - 04 / - - -1/Z	(2) or (3) 1/4-20 UNC x 2.00 Long S.H.C.S.
H - 06 / - - -1/Z	(2) or (3) 1/4-20 UNC x 2.25 Long S.H.C.S.
H - 08 / - - -1/Z	(2) or (3) 1/4-20 UNC x 2.25 Long S.H.C.S.
H - 12 / - - -1/Z	(2) or (3) 1/4-20 UNC x 2.50 Long S.H.C.S.
H - 16 / - - -1/Z	(2) or (3) 5/16-18 UNC x 3.00 Long S.H.C.S.
H - 20 / - - -1/Z	(2) or (3) 3/8-16 UNC x 3.50 Long S.H.C.S.
H - 24 / - - -1/Z	(2) or (3) 1/2-13 UNC x 4.50 Long S.H.C.S.
H - 32 / - - -1/Z	(2) or (3) 1/2-13 UNC x 5.00 Long S.H.C.S.

3

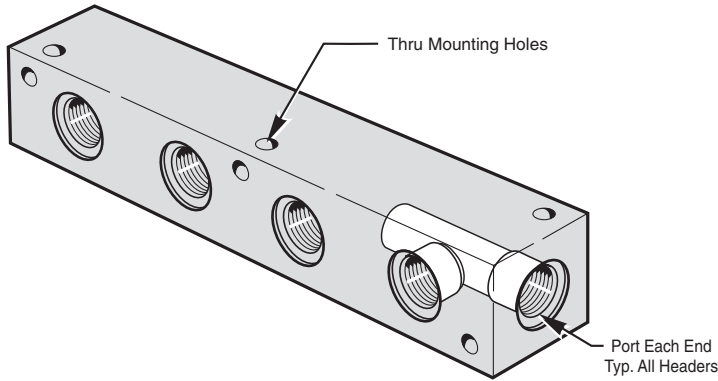


Junction Bar Manifolds: Magnaloy's Junction Manifolds are designed with varying size Inlet (End) and Outlet (Side) ports to accommodate altering piping sizes and/or directions. Junction Manifolds are ordered by specifying the Inlet Port Thread size and the Outlet Port Thread size and the Port Angle which specifies the orientation of the outlet ports. Metric Inlet and Outlet Port Threads are also available (consult Factory).

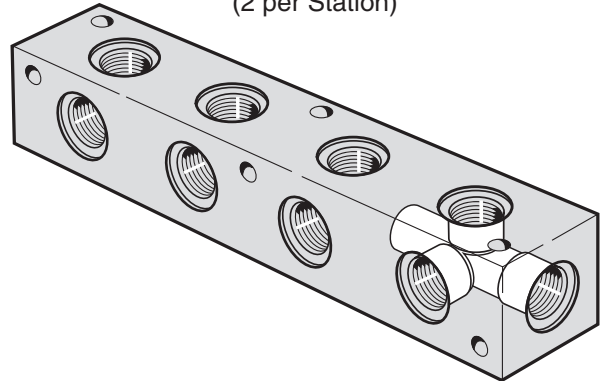
JUNCTION MANIFOLD HARDWARE

PART NO.	MOUNTING BOLTS
J - 000/01P- -1/Z	(2) or (3) 1/4-20 UNC x 2.00 Long S.H.C.S.
J - 000/02P- -1/Z	(2) or (3) 1/4-20 UNC x 2.00 Long S.H.C.S.
J - 000/04 - -1/Z	(2) or (3) 1/4-20 UNC x 2.25 Long S.H.C.S.
J - 000/06 - -1/Z	(2) or (3) 1/4-20 UNC x 2.25 Long S.H.C.S.
J - 000/08 - -1/Z	(2) or (3) 1/4-20 UNC x 2.50 Long S.H.C.S.
J - 000/12 - -1/Z	(2) or (3) 5/16-18 UNC x 3.00 Long S.H.C.S.
J - 000/16 - -1/Z	(2) or (3) 3/8-16 UNC x 3.50 Long S.H.C.S.
J - 000/20 - -1/Z	(2) or (3) 1/2-13 UNC x 4.50 Long S.H.C.S.
J - 000/24 - -1/Z	(2) or (3) 1/2-13 UNC x 5.00 Long S.H.C.S.

HEADER MANIFOLD - 0°
Connections Out One Side Only
(1 per Station)

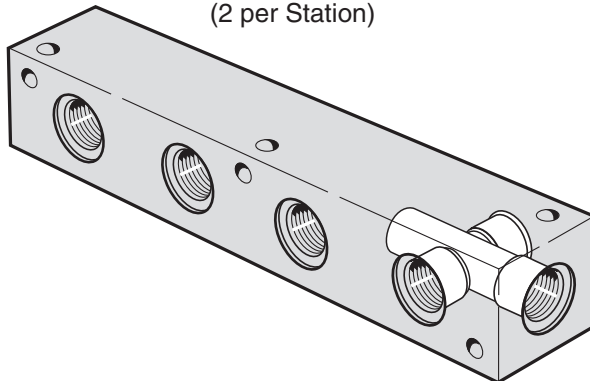


HEADER MANIFOLD - 90°
Side Connections at 90°
(2 per Station)

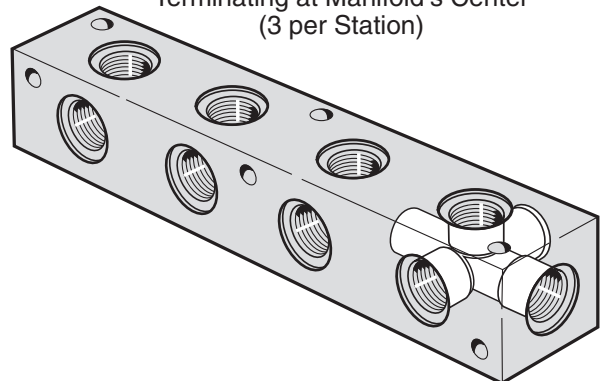


3

HEADER MANIFOLD - 180°
Side Connection Thru
(2 per Station)



HEADER MANIFOLD - 270°
3 Side Connections
Terminating at Manifold's Center
(3 per Station)



MAGNALOY HEADER MANIFOLD - PART NUMBER BREAKDOWN

H A - 0 0 0 8 S / 0 8 S - 0 4 - 1 / Z

Product Code
H - Header Manifold

Material Code
A - Aluminum
S - Ductile/Steel

Port Angles
00 - 0°
09 - 90°
18 - 180°
27 - 270°

End Ports * (Inlet)
##S - SAE
##P - Pipe

* See size charts for standard sizes and porting. See Page 105 for Mounting Hardware.

01P - 1/16 NPT	04S - #4 SAE
02P - 1/8 NPT	06S - #6 SAE
04P - 1/4 NPT	08S - #8 SAE
06P - 3/8NPT	12S - #12 SAE
08P - 1/2 NPT	16S - #16 SAE
12P - 3/4 NPT	20S - #20 SAE
16P - 1" NPT	24S - #24 SAE
20P - 1 1/4 NPT	32S - #32 SAE
24P - 1 1/2 NPT	
32P - 2" NPT	

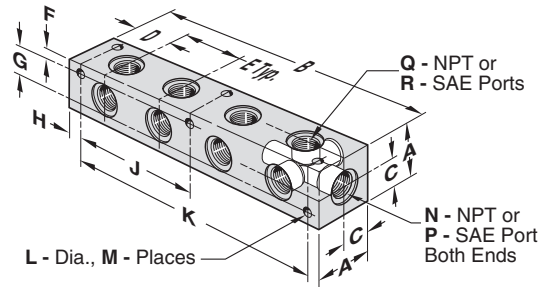
Options
Z - No Options

Design Series

Number of Stations

Side Ports * (Outlet)
##S - SAE
##P - NPTF

Connection Manifold Header Bar Manifolds



01P SIDE PORT

PART NUMBER	A	B	C	D	E	F	G	H	J	K	L	M	N	P	Q	R
H - _02P/01P-02-1/Z	1.500	3.250	0.750	1.000	1.250	0.250	1.000	0.313	--	2.625	0.281	4	1/8	--	1/16	--
H - _02P/01P-03-1/Z		4.500							--	3.875		4				
H - _02P/01P-04-1/Z		5.750							--	5.125		4				
H - _02P/01P-05-1/Z		7.000							--	6.375		4				
H - _02P/01P-06-1/Z		8.250							3.813	7.625		6				
H - _02P/01P-07-1/Z		9.500							3.813	8.875		6				
H - _02P/01P-08-1/Z		10.750							5.063	10.125		6				
H - _02P/01P-09-1/Z		12.000							5.063	11.375		6				
H - _02P/01P-10-1/Z		13.250							6.313	12.625		6				

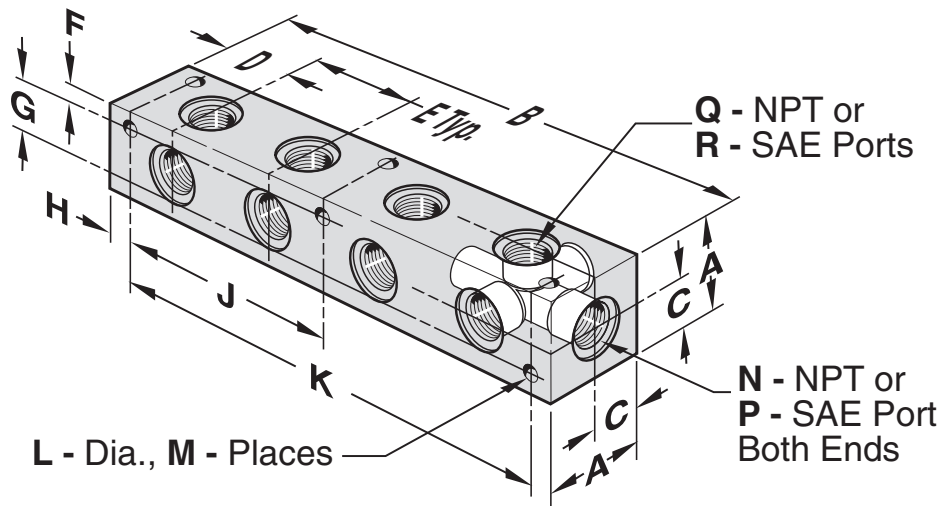
02P SIDE PORT

PART NUMBER	A	B	C	D	E	F	G	H	J	K	L	M	N	P	Q	R
H - _02P/02P-02-1/Z	1.500	3.625	0.750	1.125	1.375	0.250	1.000	0.313	--	3.000	0.281	4	1/8	--	1/8	--
H - _02P/02P-03-1/Z		5.000							--	4.375		4				
H - _02P/02P-04-1/Z		6.375							--	5.750		4				
H - _02P/02P-05-1/Z		7.750							--	7.125		4				
H - _02P/02P-06-1/Z		9.125							4.250	8.500		6				
H - _02P/02P-07-1/Z		10.500							4.250	9.875		6				
H - _02P/02P-08-1/Z		11.875							5.625	11.250		6				
H - _02P/02P-09-1/Z		13.250							5.625	12.625		6				
H - _02P/02P-10-1/Z		14.625							7.000	14.000		6				

PART NUMBER	A	B	C	D	E	F	G	H	J	K	L	M	N	P	Q	R
H - _04_/02P-02-1/Z	1.500	3.625	0.750	1.125	1.375	0.250	1.000	0.313	--	3.000	0.281	4	1/4	-4	1/8	--
H - _04_/02P-03-1/Z		5.000							--	4.375		4				
H - _04_/02P-04-1/Z		6.375							--	5.750		4				
H - _04_/02P-05-1/Z		7.750							--	7.125		4				
H - _04_/02P-06-1/Z		9.125							4.250	8.500		6				
H - _04_/02P-07-1/Z		10.500							4.250	9.875		6				
H - _04_/02P-08-1/Z		11.875							5.625	11.250		6				
H - _04_/02P-09-1/Z		13.250							5.625	12.625		6				
H - _04_/02P-10-1/Z		14.625							7.000	14.000		6				

PART NUMBER	A	B	C	D	E	F	G	H	J	K	L	M	N	P	Q	R
H - _06_/02P-02-1/Z	1.750	3.625	0.875	1.125	1.375	0.250	1.250	0.313	--	3.000	0.281	4	3/8	-6	1/8	--
H - _06_/02P-03-1/Z		5.000							--	4.375		4				
H - _06_/02P-04-1/Z		6.375							--	5.750		4				
H - _06_/02P-05-1/Z		7.750							--	7.125		4				
H - _06_/02P-06-1/Z		9.125							4.250	8.500		6				
H - _06_/02P-07-1/Z		10.500							4.250	9.875		6				
H - _06_/02P-08-1/Z		11.875							5.625	11.250		6				
H - _06_/02P-09-1/Z		13.250							5.625	12.625		6				
H - _06_/02P-10-1/Z		14.625							7.000	14.000		6				

3



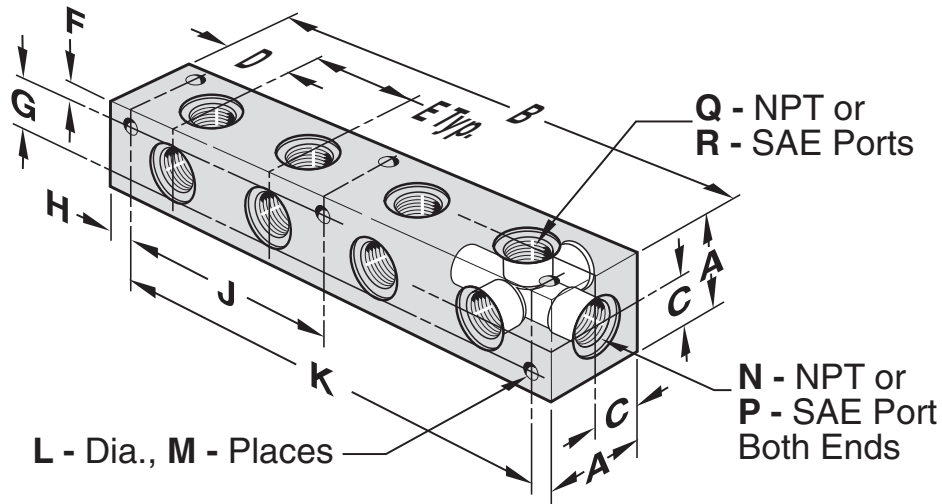
3

04_SIDE PORT

PART NUMBER	A	B	C	D	E	F	G	H	J	K	L	M	N	P	Q	R
H - 04 /04 -02-1/Z	1.500	3.875	0.750	1.063	1.750	0.250	1.000	0.313	--	3.250	0.281	4	1/4	-4	1/4	-4
H - 04 /04 -03-1/Z		5.625							--	5.000		4				
H - 04 /04 -04-1/Z		7.375							--	6.750		4				
H - 04 /04 -05-1/Z		9.125							--	8.500		4				
H - 04 /04 -06-1/Z		10.875							5.125	10.250		6				
H - 04 /04 -07-1/Z		12.625							5.125	12.000		6				
H - 04 /04 -08-1/Z		14.375							6.875	13.750		6				
H - 04 /04 -09-1/Z		16.125							6.875	15.500		6				
H - 04 /04 -10-1/Z	17.875	8.625	17.250	6												

PART NUMBER	A	B	C	D	E	F	G	H	J	K	L	M	N	P	Q	R
H - 06 /04 -02-1/Z	1.750	3.875	0.875	1.063	1.750	0.250	1.250	0.313	--	3.250	0.281	4	3/8	-6	1/4	-4
H - 06 /04 -03-1/Z		5.625							--	5.000		4				
H - 06 /04 -04-1/Z		7.375							--	6.750		4				
H - 06 /04 -05-1/Z		9.125							--	8.500		4				
H - 06 /04 -06-1/Z		10.875							5.125	10.250		6				
H - 06 /04 -07-1/Z		12.625							5.125	12.000		6				
H - 06 /04 -08-1/Z		14.375							6.875	13.750		6				
H - 06 /04 -09-1/Z		16.125							6.875	15.500		6				
H - 06 /04 -10-1/Z	17.875	8.625	17.250	6												

PART NUMBER	A	B	C	D	E	F	G	H	J	K	L	M	N	P	Q	R
H - 08 /04 -02-1/Z	1.750	3.875	0.875	1.063	1.750	0.250	1.250	0.313	--	3.250	0.281	4	1/2	-8	1/4	-4
H - 08 /04 -03-1/Z		5.625							--	5.000		4				
H - 08 /04 -04-1/Z		7.375							--	6.750		4				
H - 08 /04 -05-1/Z		9.125							--	8.500		4				
H - 08 /04 -06-1/Z		10.875							5.125	10.250		6				
H - 08 /04 -07-1/Z		12.625							5.125	12.000		6				
H - 08 /04 -08-1/Z		14.375							6.875	13.750		6				
H - 08 /04 -09-1/Z		16.125							6.875	15.500		6				
H - 08 /04 -10-1/Z	17.875	8.625	17.250	6												



06_SIDE PORT

3

PART NUMBER	A	B	C	D	E	F	G	H	J	K	L	M	N	P	Q	R
H - _06_/06_-02-1/Z	1.750	5.000	0.875	1.500	2.000	0.250	1.250	0.313	--	4.375	0.281	4	3/8	-6	3/8	-6
H - _06_/06_-03-1/Z		7.000							4							
H - _06_/06_-04-1/Z		9.000							4							
H - _06_/06_-05-1/Z		11.000							4							
H - _06_/06_-06-1/Z		13.000							6							
H - _06_/06_-07-1/Z		15.000							6							
H - _06_/06_-08-1/Z		17.000							6							
H - _06_/06_-09-1/Z		19.000							6							
H - _06_/06_-10-1/Z		21.000							6							

PART NUMBER	A	B	C	D	E	F	G	H	J	K	L	M	N	P	Q	R
H - _08_/06_-02-1/Z	1.750	5.000	0.875	1.500	2.000	0.250	1.250	0.313	--	4.375	0.281	4	1/2	-8	3/8	-6
H - _08_/06_-03-1/Z		7.000							4							
H - _08_/06_-04-1/Z		9.000							4							
H - _08_/06_-05-1/Z		11.000							4							
H - _08_/06_-06-1/Z		13.000							6							
H - _08_/06_-07-1/Z		15.000							6							
H - _08_/06_-08-1/Z		17.000							6							
H - _08_/06_-09-1/Z		19.000							6							
H - _08_/06_-10-1/Z		21.000							6							

PART NUMBER	A	B	C	D	E	F	G	H	J	K	L	M	N	P	Q	R
H - _12_/06_-02-1/Z	2.000	5.000	1.000	1.500	2.000	0.250	1.500	0.313	--	4.375	0.281	4	3/4	-12	3/8	-6
H - _12_/06_-03-1/Z		7.000							4							
H - _12_/06_-04-1/Z		9.000							4							
H - _12_/06_-05-1/Z		11.000							4							
H - _12_/06_-06-1/Z		13.000							6							
H - _12_/06_-07-1/Z		15.000							6							
H - _12_/06_-08-1/Z		17.000							6							
H - _12_/06_-09-1/Z		19.000							6							
H - _12_/06_-10-1/Z		21.000							6							



08_ SIDE PORT

PART NUMBER	A	B	C	D	E	F	G	H	J	K	L	M	N	P	Q	R
H_- 08_/08_-02-1/Z	1.750	5.375	0.875	1.500	2.375	0.250	1.250	0.313	--	4.750	0.281	4	1/2	-8	1/2	-8
H_- 08_/08_-03-1/Z		7.750							--	7.125		4				
H_- 08_/08_-04-1/Z		10.125							--	9.500		4				
H_- 08_/08_-05-1/Z		12.500							--	11.875		4				
H_- 08_/08_-06-1/Z		14.875							7.125	14.250		6				
H_- 08_/08_-07-1/Z		17.250							7.125	16.625		6				
H_- 08_/08_-08-1/Z		19.625							9.500	19.000		6				
H_- 08_/08_-09-1/Z		22.000							9.500	21.375		6				

PART NUMBER	A	B	C	D	E	F	G	H	J	K	L	M	N	P	Q	R
H_- 12_/08_-02-1/Z	2.000	5.375	1.000	1.500	2.375	0.250	1.500	0.313	--	4.750	0.281	4	3/4	-12	1/2	-8
H_- 12_/08_-03-1/Z		7.750							--	7.125		4				
H_- 12_/08_-04-1/Z		10.125							--	9.500		4				
H_- 12_/08_-05-1/Z		12.500							--	11.875		4				
H_- 12_/08_-06-1/Z		14.875							7.125	14.250		6				
H_- 12_/08_-07-1/Z		17.250							7.125	16.625		6				
H_- 12_/08_-08-1/Z		19.625							9.500	19.000		6				
H_- 12_/08_-09-1/Z		22.000							9.500	21.375		6				

3

PART NUMBER	A	B	C	D	E	F	G	H	J	K	L	M	N	P	Q	R
H_- 16_/08_-02-1/Z	2.500	5.375	1.250	1.500	2.375	0.280	1.940	0.375	--	4.625	0.344	4	1	-16	1/2	-8
H_- 16_/08_-03-1/Z		7.750							--	7.000		4				
H_- 16_/08_-04-1/Z		10.125							--	9.375		4				
H_- 16_/08_-05-1/Z		12.500							--	11.750		4				
H_- 16_/08_-06-1/Z		14.875							7.063	14.125		6				
H_- 16_/08_-07-1/Z		17.250							7.063	16.500		6				
H_- 16_/08_-08-1/Z		19.625							9.438	18.875		6				

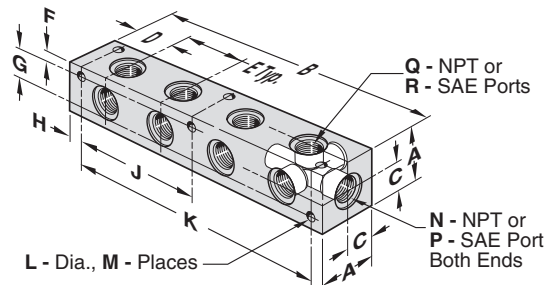
12_ SIDE PORT

PART NUMBER	A	B	C	D	E	F	G	H	J	K	L	M	N	P	Q	R
H_- 12_/12_-02-1/Z	2.500	6.875	1.250	1.813	3.250	0.280	1.940	0.375	--	6.125	0.344	4	3/4	-12	3/4	-12
H_- 12_/12_-03-1/Z		10.125							--	9.375		4				
H_- 12_/12_-04-1/Z		13.375							--	12.625		4				
H_- 12_/12_-05-1/Z		16.625							--	15.875		4				
H_- 12_/12_-06-1/Z		19.875							9.563	19.125		6				
H_- 12_/12_-07-1/Z		23.125							9.563	22.375		6				

PART NUMBER	A	B	C	D	E	F	G	H	J	K	L	M	N	P	Q	R
H_- 16_/12_-02-1/Z	2.500	6.875	1.250	1.813	3.250	0.280	1.940	0.375	--	6.125	0.344	4	1	-16	3/4	-12
H_- 16_/12_-03-1/Z		10.125							--	9.375		4				
H_- 16_/12_-04-1/Z		13.375							--	12.625		4				
H_- 16_/12_-05-1/Z		16.625							--	15.875		4				
H_- 16_/12_-06-1/Z		19.875							9.563	19.125		6				
H_- 16_/12_-07-1/Z		23.125							9.563	22.375		6				

PART NUMBER	A	B	C	D	E	F	G	H	J	K	L	M	N	P	Q	R
H_- 20_/12_-02-1/Z	3.000	6.875	1.500	1.813	3.250	0.344	2.312	0.375	--	6.125	0.406	4	1 1/4	-20	3/4	-12
H_- 20_/12_-03-1/Z		10.125							--	9.375		4				
H_- 20_/12_-04-1/Z		13.375							--	12.625		4				
H_- 20_/12_-05-1/Z		16.625							--	15.875		4				
H_- 20_/12_-06-1/Z		19.875							9.563	19.125		6				
H_- 20_/12_-07-1/Z		23.125							9.563	22.375		6				

Connection Manifold Header Bar Manifolds



16_SIDE PORT

PART NUMBER	A	B	C	D	E	F	G	H	J	K	L	M	N	P	Q	R
H_ 16 /16 _02-1/Z	2.500	7.750	1.250	2.000	3.750	0.280	1.940	0.375	--	7.000	0.344	4	1	-16	1	-16
H_ 16 /16 _03-1/Z		11.500							--	10.750		4				
H_ 16 /16 _04-1/Z		15.250							--	14.500		4				
H_ 16 /16 _05-1/Z		19.000							7.250	18.250		6				
H_ 16 /16 _06-1/Z		22.750							11.000	22.000		6				

PART NUMBER	A	B	C	D	E	F	G	H	J	K	L	M	N	P	Q	R
H_ 20 /16 _02-1/Z	3.000	7.750	1.500	2.000	3.750	0.344	2.312	0.375	--	7.000	0.406	4	1 1/4	-20	1	-16
H_ 20 /16 _03-1/Z		11.500							--	10.750		4				
H_ 20 /16 _04-1/Z		15.250							--	14.500		4				
H_ 20 /16 _05-1/Z		19.000							7.250	18.250		6				
H_ 20 /16 _06-1/Z		22.750							11.000	22.000		6				

3

PART NUMBER	A	B	C	D	E	F	G	H	J	K	L	M	N	P	Q	R
H_ 24 /16 _02-1/Z	3.500	7.750	1.750	2.000	3.750	0.406	2.688	0.500	--	6.750	0.531	4	1 1/2	-24	1	-16
H_ 24 /16 _03-1/Z		11.500							--	10.500		4				
H_ 24 /16 _04-1/Z		15.250							--	14.250		4				
H_ 24 /16 _05-1/Z		19.000							7.125	18.000		6				
H_ 24 /16 _06-1/Z		22.750							10.875	21.750		6				

20_SIDE PORT

PART NUMBER	A	B	C	D	E	F	G	H	J	K	L	M	N	P	Q	R
H_ 20 /20 _02-1/Z	3.000	8.500	1.500	2.250	4.000	0.344	2.312	0.375	--	7.750	0.406	4	1 1/4	-20	1 1/4	-20
H_ 20 /20 _03-1/Z		12.500							--	11.750		4				
H_ 20 /20 _04-1/Z		16.500							--	15.750		4				
H_ 20 /20 _05-1/Z		20.500							7.875	19.750		6				

PART NUMBER	A	B	C	D	E	F	G	H	J	K	L	M	N	P	Q	R
H_ 24 /20 _02-1/Z	3.500	8.500	1.750	2.250	4.000	0.406	2.688	0.500	--	7.500	0.531	4	1 1/2	-24	1 1/4	-20
H_ 24 /20 _03-1/Z		12.500							--	11.500		4				
H_ 24 /20 _04-1/Z		16.500							--	15.500		4				
H_ 24 /20 _05-1/Z		20.500							7.750	19.500		6				

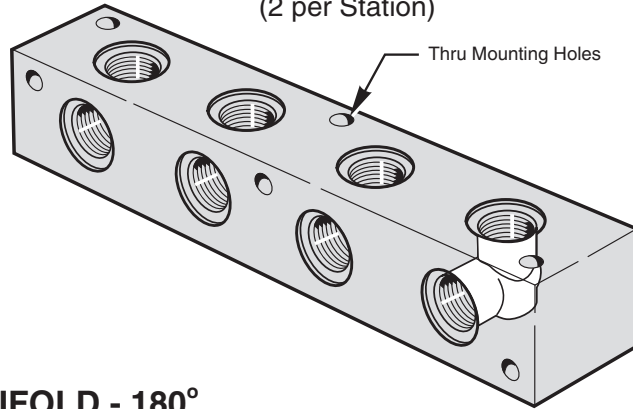
24_SIDE PORT

PART NUMBER	A	B	C	D	E	F	G	H	J	K	L	M	N	P	Q	R
H_ 24 /24 _02-1/Z	3.500	10.000	1.750	2.500	5.000	0.406	2.688	0.500	--	9.000	0.531	4	1 1/2	-24	1 1/2	-24
H_ 24 /24 _03-1/Z		15.000							--	14.000		4				
H_ 24 /24 _04-1/Z		20.000							9.500	19.000		6				

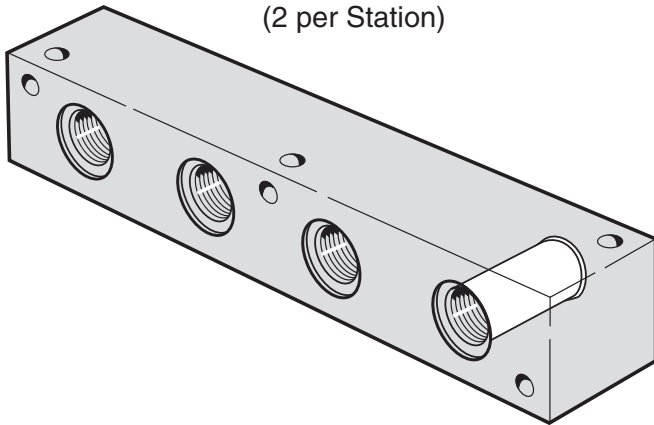
PART NUMBER	A	B	C	D	E	F	G	H	J	K	L	M	N	P	Q	R
H_ 32P/24 _02-1/Z	4.000	10.000	2.000	2.500	5.000	0.406	3.188	0.500	--	9.000	0.531	4	2	-32	1 1/2	-24
H_ 32P/24 _03-1/Z		15.000							--	14.000		4				
H_ 32P/24 _04-1/Z		20.000							9.500	19.000		6				

PART NUMBER	A	B	C	D	E	F	G	H	J	K	L	M	N	P	Q	R
H_ 32S/24 _02-1/Z	4.500	10.000	2.250	2.500	5.000	0.406	3.688	0.500	--	9.000	0.531	4	2	-32	1 1/2	-24
H_ 32S/24 _03-1/Z		15.000							--	14.000		4				
H_ 32S/24 _04-1/Z		20.000							9.500	19.000		6				

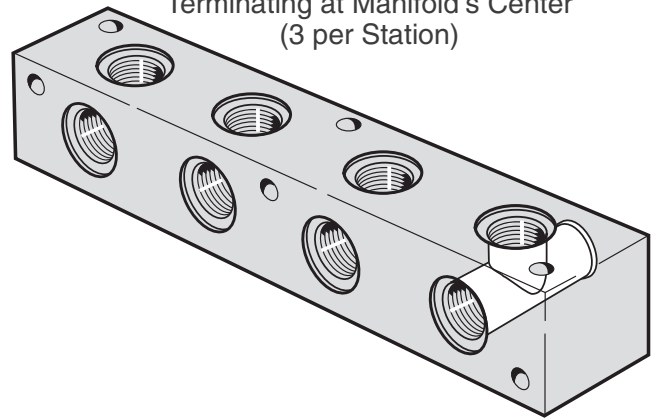
JUNCTION MANIFOLD - 90°
Side Connections at 90°
(2 per Station)



JUNCTION MANIFOLD - 180°
Side Connection Thru
(2 per Station)



JUNCTION MANIFOLD - 270°
3 Side Connections
Terminating at Manifold's Center
(3 per Station)



3

MAGNALOY JUNCTION MANIFOLD - PART NUMBER BREAKDOWN

J A - 2 7 0 0 0 / 0 8 S - 0 4 - 1 / Z

Product Code
J - Junction Manifold

Material Code
A - Aluminum
S - Ductile/Steel

Port Angles
09 - 90°
18 - 180°
27 - 270°

End Ports
'000' for all
Junction Manifold

* See size charts for standard sizes and porting. See Page 105 for Mounting Hardware.

01P - 1/16 NPT	04S - #4 SAE
02P - 1/8 NPT	06S - #6 SAE
04P - 1/4 NPT	08S - #8 SAE
06P - 3/8 NPT	12S - #12 SAE
08P - 1/2 NPT	16S - #16 SAE
12P - 3/4 NPT	20S - #20 SAE
16P - 1" NPT	24S - #24 SAE
20P - 1 1/4 NPT	32S - #32 SAE
24P - 1 1/2 NPT	
32P - 2" NPT	

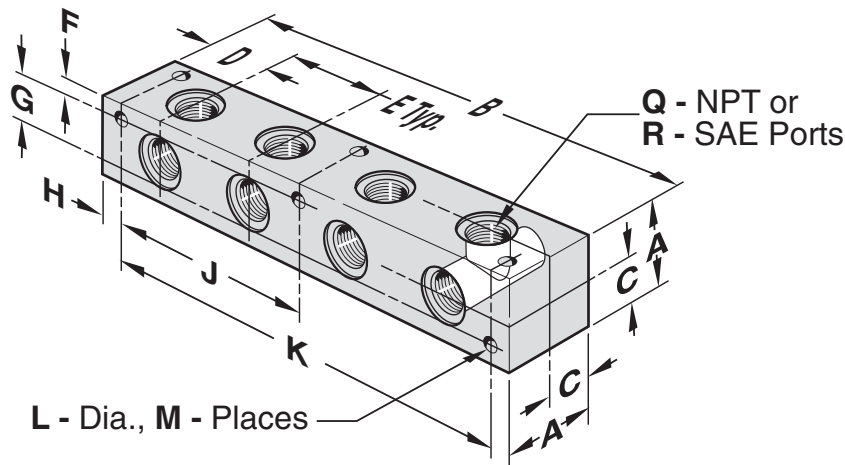
Options
Z - No Options

Design Series

Number of Stations

Side Ports *

##S - SAE
##P - NPTF



01P SIDE PORT

PART NO.	A	B	C	D	E	F	G	H	J	K	L	M	Q	R
J - _000/01P-02-1/Z	1.500	3.250	0.750	1.000	1.250	0.250	1.000	0.313	--	2.625	0.281	4	1/16	--
J - _000/01P-03-1/Z		4.500							--	3.875		4		
J - _000/01P-04-1/Z		5.750							--	5.125		4		
J - _000/01P-05-1/Z		7.000							--	6.375		4		
J - _000/01P-06-1/Z		8.250							3.813	7.625		6		
J - _000/01P-07-1/Z		9.500							3.813	8.875		6		
J - _000/01P-08-1/Z		10.750							5.063	10.125		6		
J - _000/01P-09-1/Z		12.000							5.063	11.375		6		
J - _000/01P-10-1/Z		13.250							6.313	12.625		6		

02P SIDE PORT

PART NO.	A	B	C	D	E	F	G	H	J	K	L	M	Q	R
J - _000/02P-02-1/Z	1.500	3.625	0.750	1.125	1.375	0.250	1.000	0.313	--	3.000	0.281	4	1/8	--
J - _000/02P-03-1/Z		5.000							--	4.375		4		
J - _000/02P-04-1/Z		6.375							--	5.750		4		
J - _000/02P-05-1/Z		7.750							--	7.125		4		
J - _000/02P-06-1/Z		9.125							4.250	8.500		6		
J - _000/02P-07-1/Z		10.500							4.250	9.875		6		
J - _000/02P-08-1/Z		11.875							5.625	11.250		6		
J - _000/02P-09-1/Z		13.250							5.625	12.625		6		
J - _000/02P-10-1/Z		14.625							7.000	14.000		6		

04 SIDE PORT

PART NO.	A	B	C	D	E	F	G	H	J	K	L	M	Q	R
J - _000/04_-02-1/Z	1.750	3.875	0.875	1.063	1.750	0.250	1.250	0.313	--	3.250	0.281	4	1/4	-4
J - _000/04_-03-1/Z		5.625							--	5.000		4		
J - _000/04_-04-1/Z		7.375							--	6.750		4		
J - _000/04_-05-1/Z		9.125							--	8.500		4		
J - _000/04_-06-1/Z		10.875							5.125	10.250		6		
J - _000/04_-07-1/Z		12.625							5.125	12.000		6		
J - _000/04_-08-1/Z		14.375							6.875	13.750		6		
J - _000/04_-09-1/Z		16.125							6.875	15.500		6		
J - _000/04_-10-1/Z		17.875							8.625	17.250		6		



06_ SIDE PORT

PART NO.	A	B	C	D	E	F	G	H	J	K	L	M	Q	R
J - _000/06_-02-1/Z	1.750	5.000	0.875	1.500	2.000	0.250	1.250	0.313	--	4.375	0.281	4	3/8	-6
J - _000/06_-03-1/Z		7.000							--	6.375		4		
J - _000/06_-04-1/Z		9.000							--	8.375		4		
J - _000/06_-05-1/Z		11.000							--	10.375		4		
J - _000/06_-06-1/Z		13.000							6.188	12.375		6		
J - _000/06_-07-1/Z		15.000							6.188	14.375		6		
J - _000/06_-08-1/Z		17.000							8.188	16.375		6		
J - _000/06_-09-1/Z		19.000							8.188	18.375		6		
J - _000/06_-10-1/Z		21.000							10.188	20.375		6		

08_ SIDE PORT

PART NO.	A	B	C	D	E	F	G	H	J	K	L	M	Q	R
J - _000/08_-02-1/Z	2.000	5.375	1.000	1.500	2.375	0.250	1.500	0.313	--	4.750	0.281	4	1/2	-8
J - _000/08_-03-1/Z		7.750							--	7.125		4		
J - _000/08_-04-1/Z		10.125							--	9.500		4		
J - _000/08_-05-1/Z		12.500							--	11.875		4		
J - _000/08_-06-1/Z		14.875							7.125	14.250		6		
J - _000/08_-07-1/Z		17.250							7.125	16.625		6		
J - _000/08_-08-1/Z		19.625							9.500	19.000		6		
J - _000/08_-09-1/Z		22.000							9.500	21.375		6		

12_ SIDE PORT

PART NO.	A	B	C	D	E	F	G	H	J	K	L	M	Q	R
J - _000/12_-02-1/Z	2.500	6.875	1.250	1.813	3.250	0.280	1.940	0.375	--	6.125	0.344	4	3/4	-12
J - _000/12_-03-1/Z		10.125							--	9.375		4		
J - _000/12_-04-1/Z		13.375							--	12.625		4		
J - _000/12_-05-1/Z		16.625							--	15.875		4		
J - _000/12_-06-1/Z		19.875							9.563	19.125		6		
J - _000/12_-07-1/Z		23.125							9.563	22.375		6		

16_ SIDE PORT

PART NO.	A	B	C	D	E	F	G	H	J	K	L	M	Q	R
J - _000/16_-02-1/Z	3.000	7.750	1.500	2.000	3.750	0.344	2.312	0.375	--	7.000	0.406	4	1	-16
J - _000/16_-03-1/Z		11.500							--	10.750		4		
J - _000/16_-04-1/Z		15.250							--	14.500		4		
J - _000/16_-05-1/Z		19.000							7.250	18.250		6		
J - _000/16_-06-1/Z		22.750							11.000	22.000		6		

20_ SIDE PORT

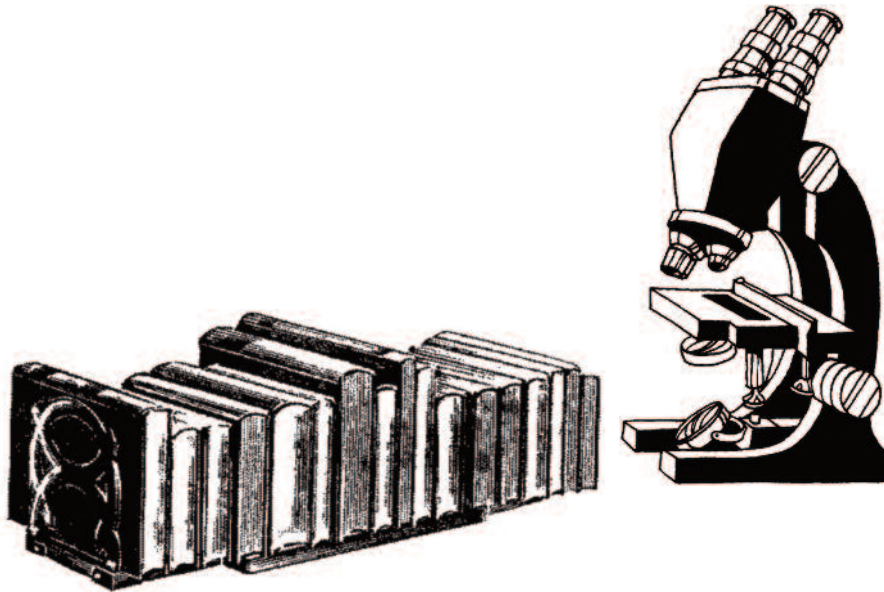
PART NO.	A	B	C	D	E	F	G	H	J	K	L	M	Q	R
J - _000/20_-02-1/Z	3.500	8.500	1.750	2.250	4.000	0.410	2.688	0.500	--	7.500	0.531	4	1-1/4	-20
J - _000/20_-03-1/Z		12.500							--	11.500		4		
J - _000/20_-04-1/Z		16.500							--	15.500		4		
J - _000/20_-05-1/Z		20.500							7.750	19.500		6		

24_ SIDE PORT

PART NO.	A	B	C	D	E	F	G	H	J	K	L	M	Q	R
J - _000/24_-02-1/Z	4.000	10.000	2.000	2.500	5.000	0.410	3.188	0.500	--	9.000	0.531	4	1-1/2	-24
J - _000/24_-03-1/Z		15.000							--	14.000		4		
J - _000/24_-04-1/Z		20.000							9.500	19.000		6		

SECTION R

REFERENCE SECTION



NOTE: Due to Magnaloy's policy of continuous improvement, specifications are subject to change without notice.
Check with the factory or our Web Site at www.magnaloy.com for the latest information.

The following pages contain several reference items for use with the various Magnaloy Products. To assist in the use of these pages, the top menu bar indicates the product line most likely to be of interest with the page. Additional information on Magnaloy products can be found on our web site at www.magnaloy.com. This resource would contain the most recent information available.

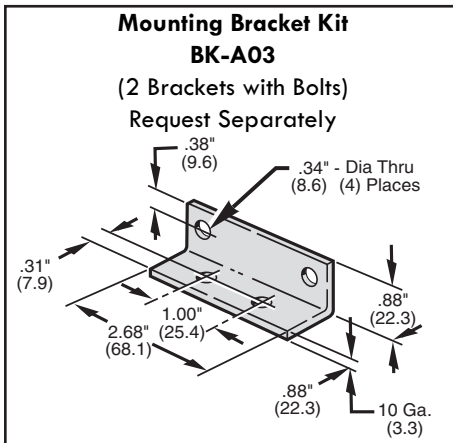
Reference Pages Table of Contents

Standard SAE and Metric Pump Mounting Dimensions	195
NEMA Motor Frame Dimensions	196
IEC Metric Motor Frame Dimensions	197
I/C Engine Flange Mounting Dimensions	202
Bar Manifold Flange and Bracket Mounting Kits	203
Bar Manifold Isolation Plugs	204
Cartridge Relief Valve Cross Reference Table	205
Cartridge Relief Valve Equivalents for D03 Original Design and Series Bar Manifolds	206
Cartridge Relief Valve Cavity Dimensions	207
Standard Valve Interface Pattern Dimensions	209
Manufacturers Cross Reference for Gasket Mounted Valves	211
Information to know about Filler Breathers and Filters	212
Manufacturers Cross Reference for Channel Mounted Cushion Clamps	213
Manufacturers Cross Reference for Modular Cushion Clamps	214
Differential Pressure Indicator Selection Guide	215
Filter Efficiency Information	216
Filter Selection Data and Application Guidelines	217
Hydraulic Pipe, Tube & Hose Flow Data	218
Mesh to Micron Conversions	219

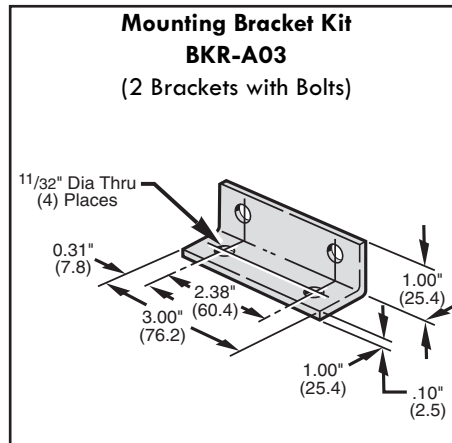
Magnaloy Bar Manifolds Mounting Flange & Mounting Bracket Kits



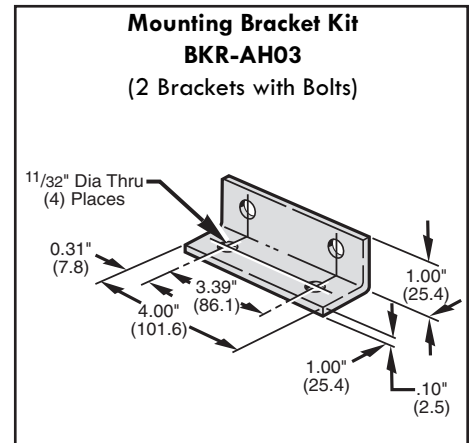
D03 Bar Manifold Parallel & Series



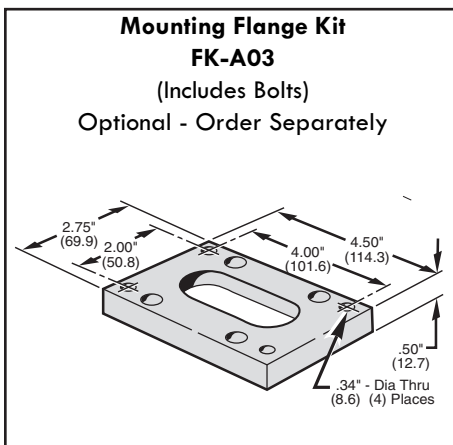
D03 Standard Flow Retro Design Manifold



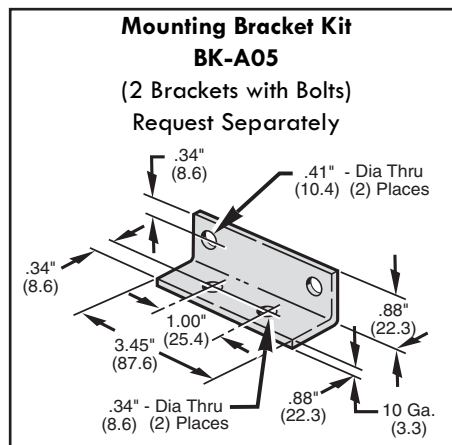
D03 High Flow Retro Design Manifold



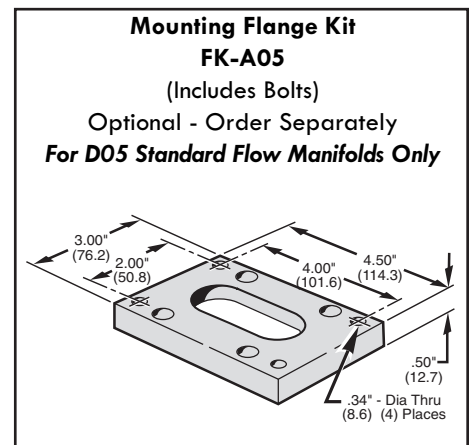
D03 Bar Manifold Parallel & Series



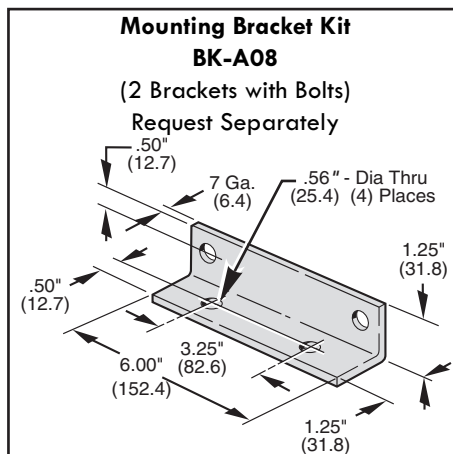
D05 Bar Manifold Parallel & Series



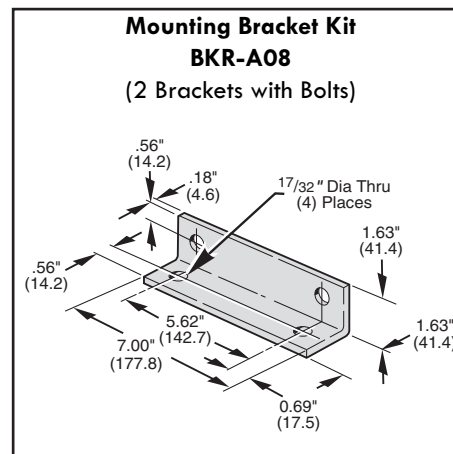
D05 Bar Manifold Parallel & Series



D08 Bar Manifold Parallel & Series



D08 High Flow Retro Design Manifold



THIS PAGE LEFT BLANK INTENTIONALLY

**Manufacturer's Cross Reference
For Stocked Relief Valve Cartridges**



Usage: *All Current Bar Manifolds (Except D03 "SBM" and D03 Series)
& Subplates w/C-10-2 Cavity (Pressure at Nose)*

Magnaloy Part Number	Mantech Part Number	Delta Power Part Number	Pressure Rating
RV-C10-2-02	S-10-1-2	DE-RVA-00-0200	50-200 PSI
RV-C10-2-15	S-10-1-15	DE-RVA-00-1500	50-1500 PSI
RV-C10-2-30	S-10-1-30	DE-RVA-00-3000	1500-3000 PSI

Usage: *Current D03 Series and D03 Original Design ("SBM") Bar Manifolds)
(Reverse Flow Cartridge) C-10-2R Cavity (Pressure at Side)*

Magnaloy Part Number	Mantech Part Number	Delta Power Part Number	Pressure Rating
RV-C10-2R-02	S-10-2-2	8500-2124	50-200 PSI
RV-C10-2R-15	S-10-2-15	8500-2125	50-1500 PSI
RV-C10-2R-30	S-10-2-30	8500-2126	1500-3000 PSI

Usage: *D05 Original Design Bar Manifolds and All Current
w/Sun T-3A Cavity (Pressure at Nose)*

Magnaloy Part Number	Mantech Part Number	Delta Power Part Number	Pressure Rating
RV-T3A-08	S-10-3-8	RPGCJDV	25-800 PSI
RV-T3A-15	S-10-3-15	RPGCJBV	50-1500 PSI
RV-T3A-30	S-10-3-30	RPGCJAV	100-3000 PSI

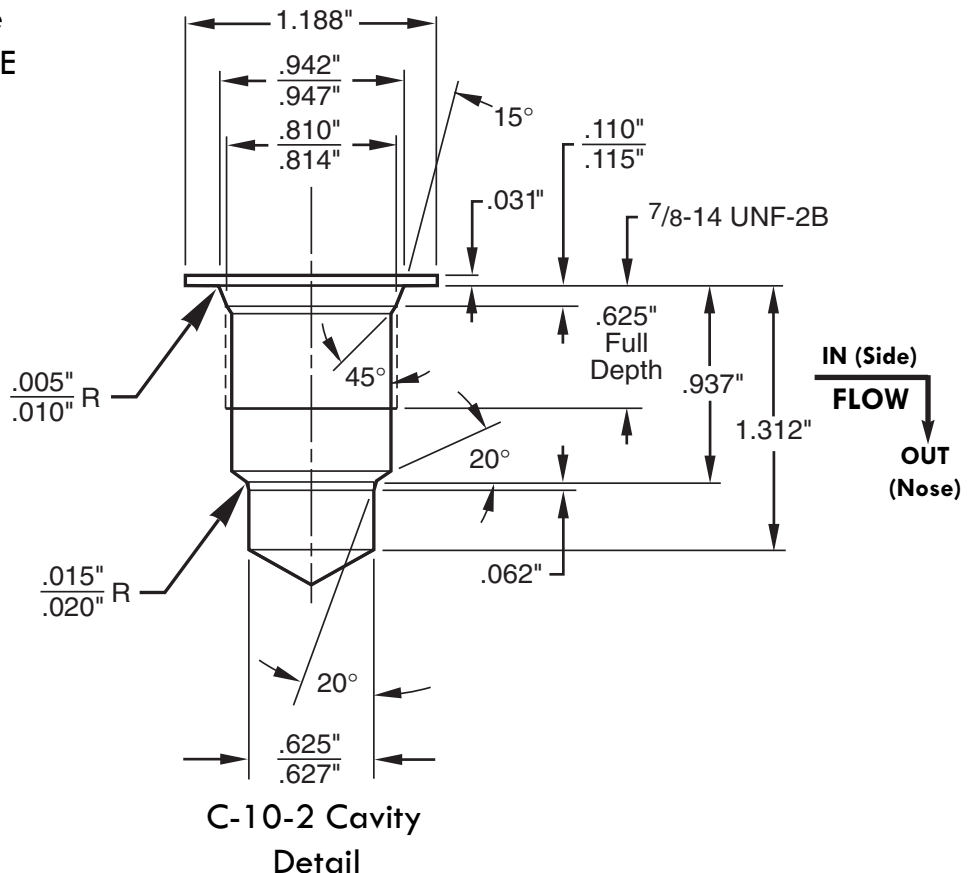
Usage: *All Current w/Sun T-10A Cavity (Pressure at Nose)*

Magnaloy Part Number	Mantech Part Number	Delta Power Part Number	Pressure Rating
RV-T10A-15	S-10-10-15	RPECJBV	50-1500 PSI
RV-T10A-30	S-10-10-30	RPECJAV	100-3000 PSI

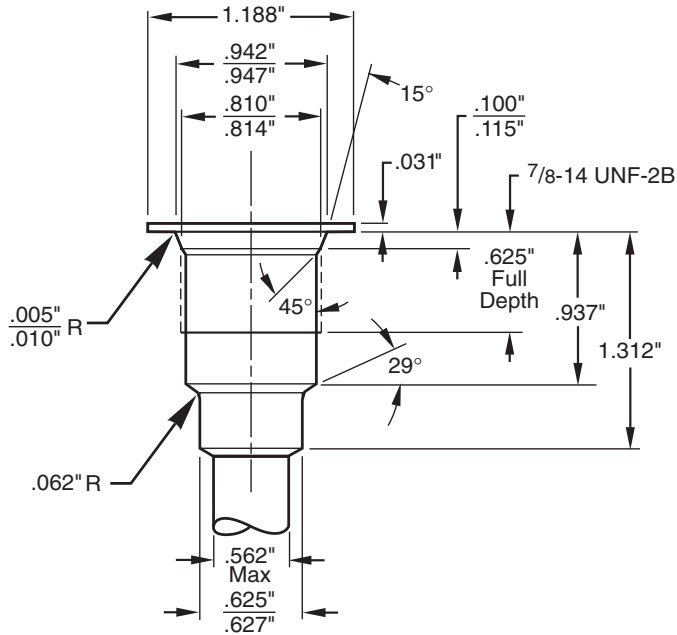
Supplier	Part Number		Pressure Range
	Magnaloy	Mantech (Original Model)	
Magnaloy Coupling Co. (for D03 Series & Original Design (SBM) Manifolds)	RV-C10-2R-02	S-10-2-2	50-200 PSI
	RV-C10-2R-15	S-10-2-15	200-1500 PSI
	RV-C10-2R-30	S-10-2-30	1500-3000 PSI
Delta Power Hydraulics	DE-RVD-00-0200		50-200 PSI
	DE-RVD-00-1500		200-1500 PSI
	DE-RVD-00-3000		1500-3000 PSI

Valves requiring equivalent cavities to illustrations shown below may be substituted.

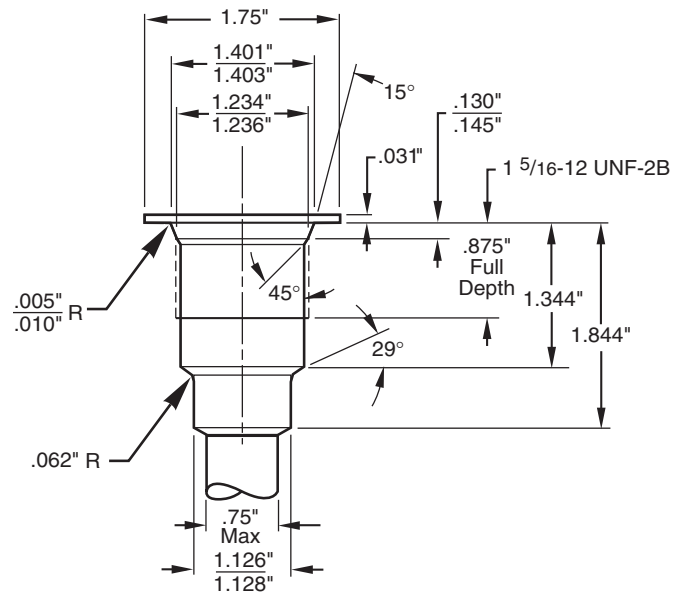
This is a Standard C10-2 Cavity except the valve has a reverse flow with SIDE INLET and NOSE OUTLET.



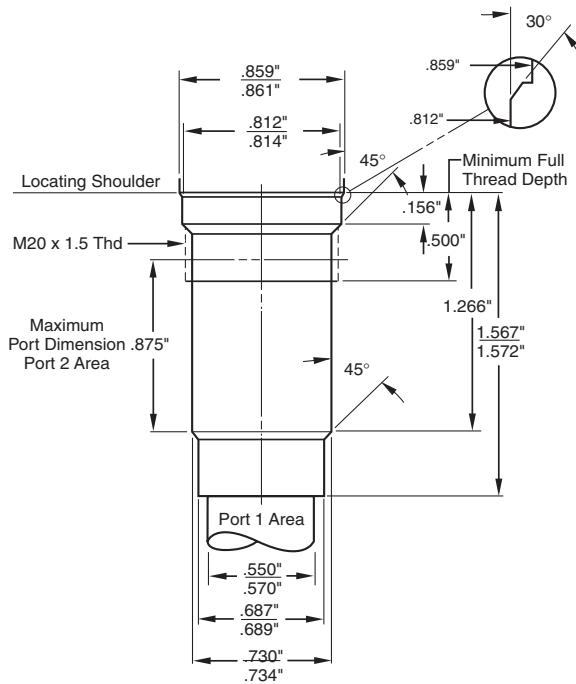
Common C-10-2



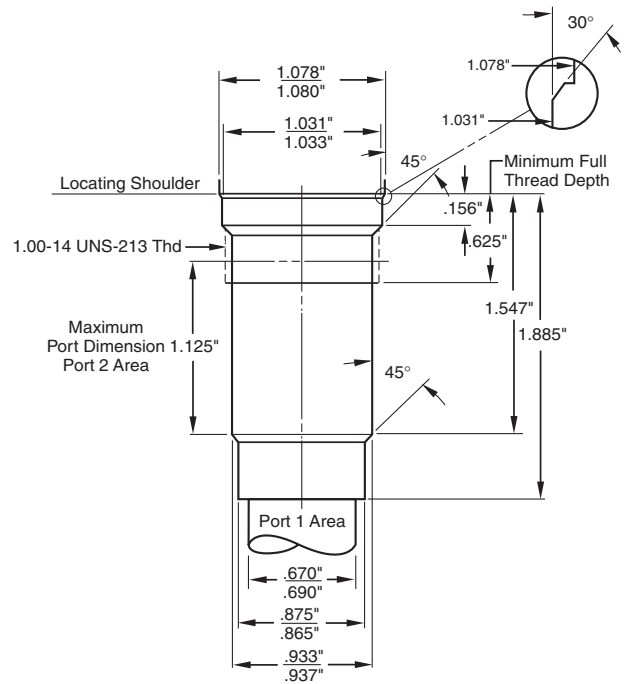
Common C-16-2



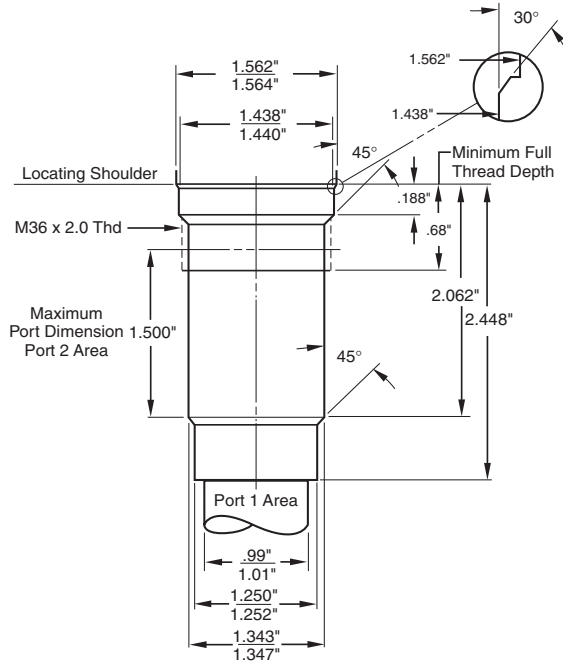
Sun T-10A



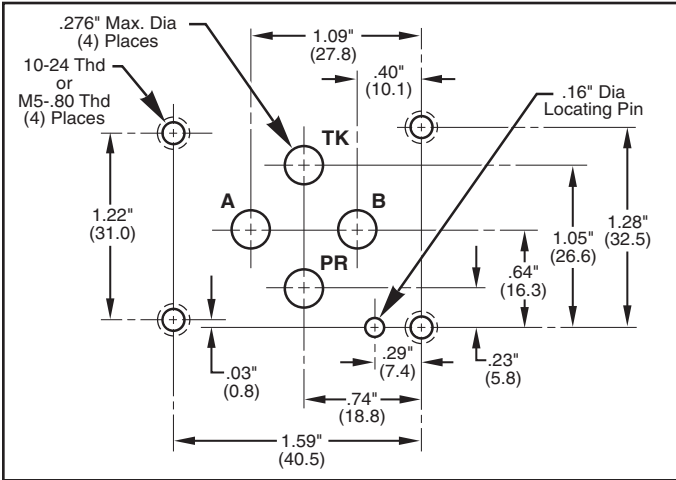
Sun T-3A



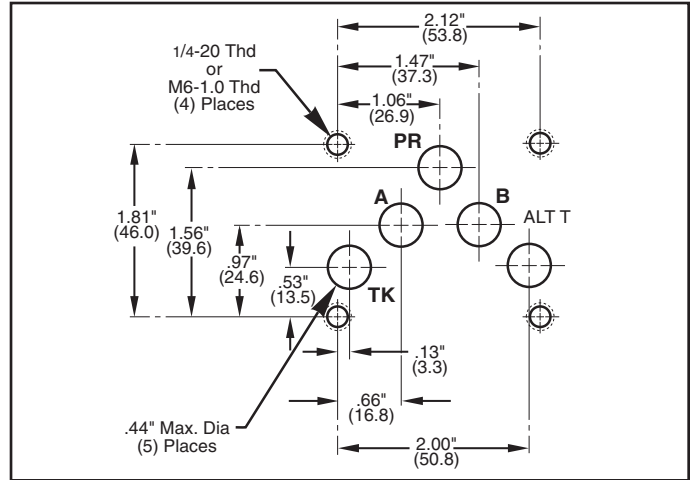
Sun T-16A



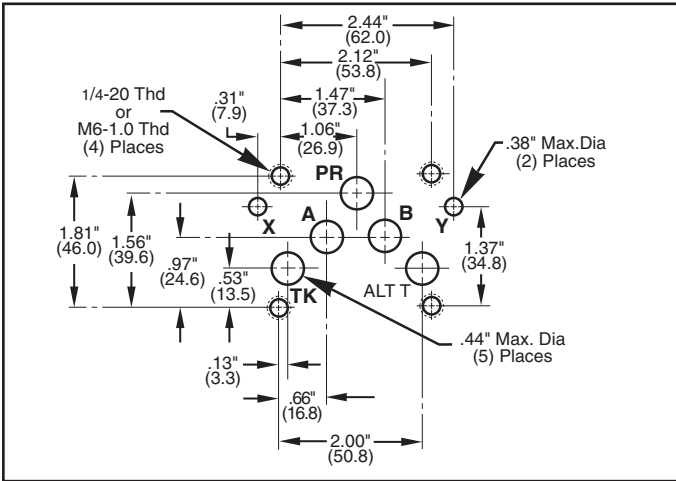
D03 Directional Valve Interface



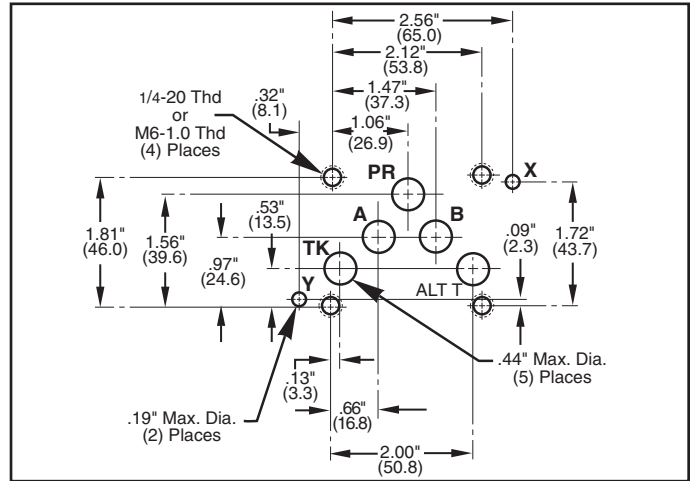
D05 Directional Valve Interface



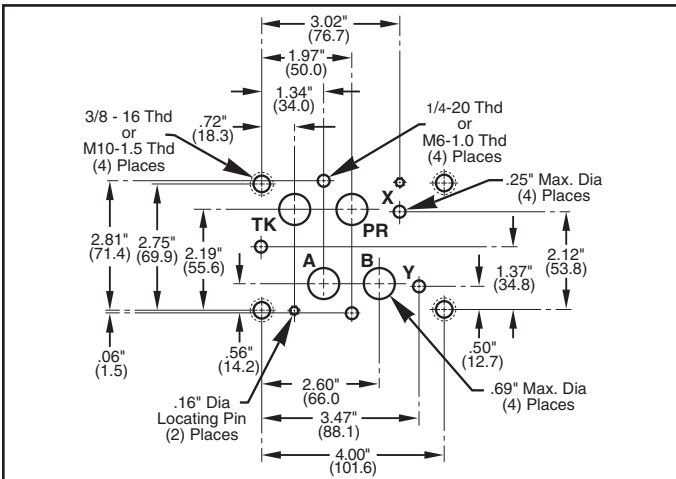
D05E Directional Valve Interface



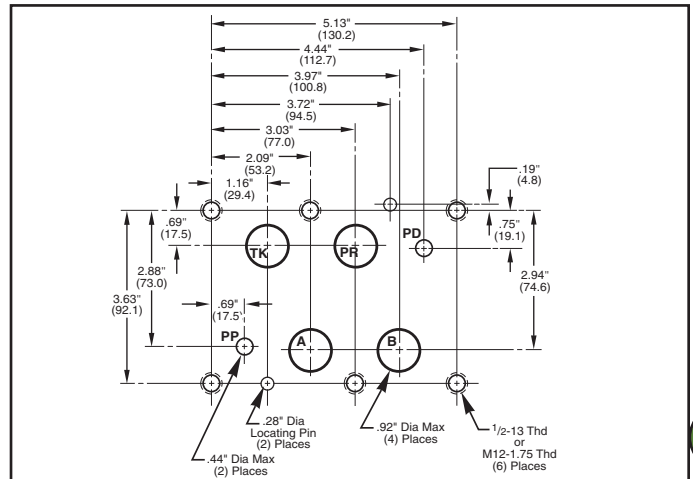
D05H Directional Valve Interface



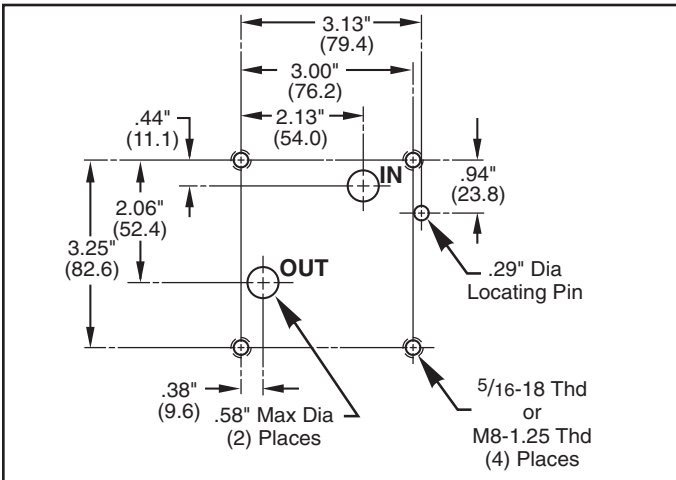
D07 Directional Valve Interface



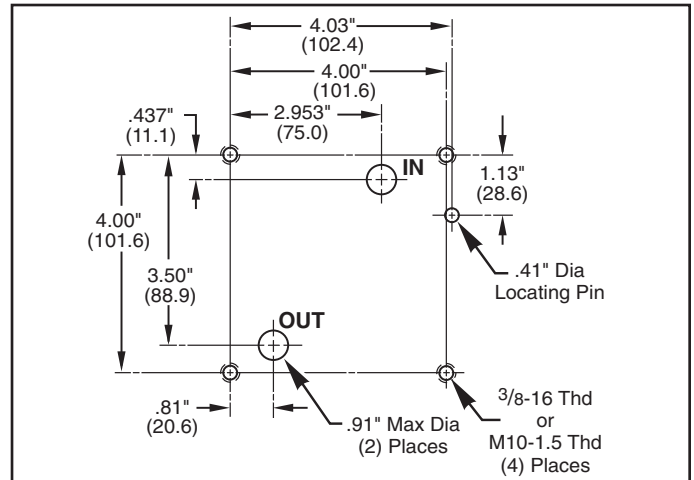
D08 Directional Valve Interface



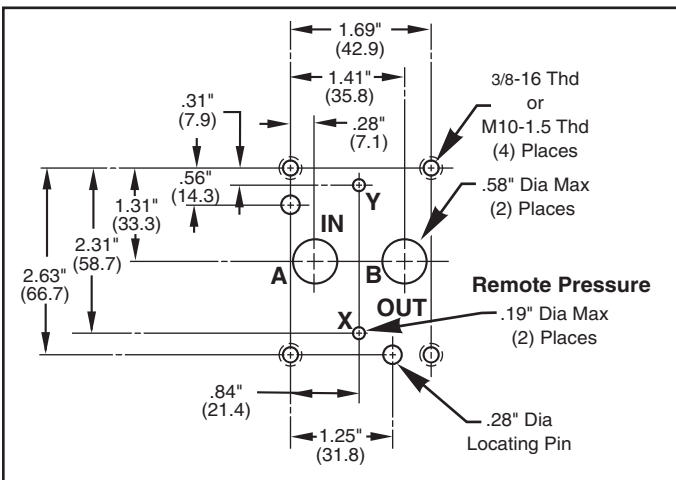
2F06 Flow Control Valve Interface



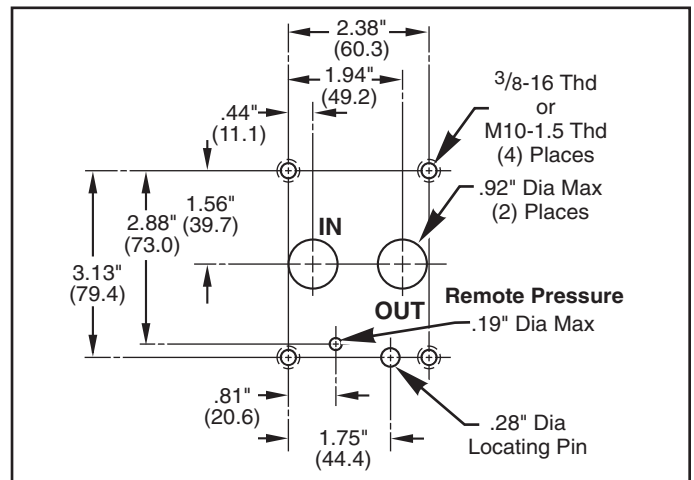
2F06 Flow Control Valve Interface



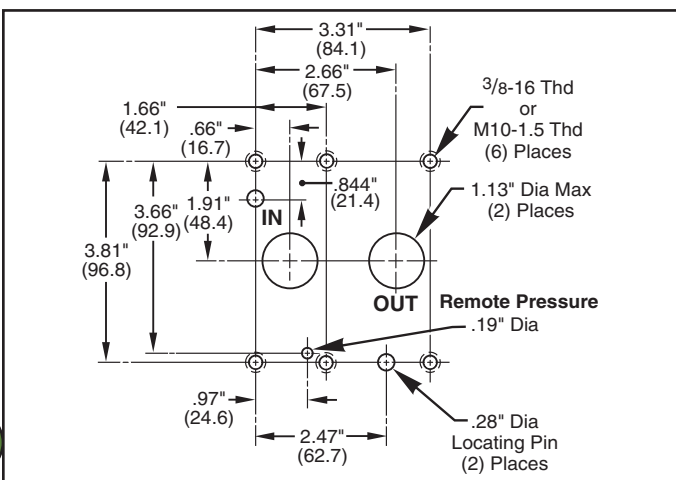
P06 Pressure Control Valve Interface



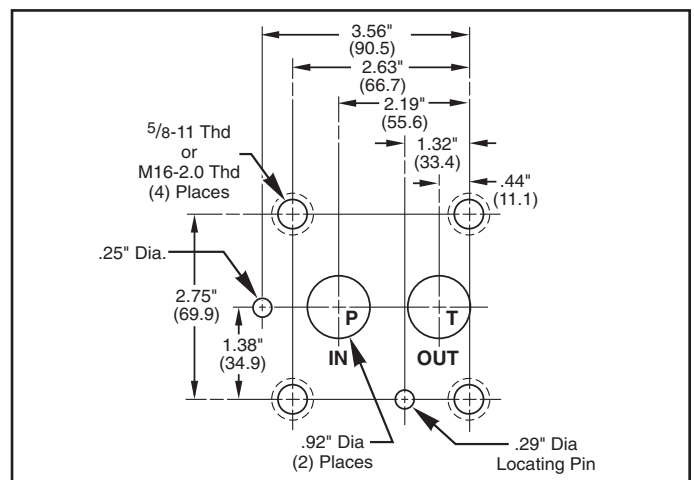
P08 Pressure Control Valve Interface



P10 Pressure Control Valve Interface



R08 Pilot Oper. Pres. Relief Valve Interface



R

Manufacturer's Cross Reference
For Gasket Mounted Valves



Valve Manufacturer	Directional Valve			Pressure Control & Pressures Reducing Valves		Flow Control Valves	
	NFPA DO3	NFPA DO5	NFPA DO8	NFPA P06	NFPA P10	NFPA F02	NFPA F03
Continental	V* 3M V* 5M	V* 12M	V* 35M			F12M	F30M
Double A	005	02	06	BPQ-06 WQP-06	QSA-185	QXA-02	QXA-03
Hartman	00	1/8"	3/4"	3/4"	1 1/2"		
Parker	2M	3/8"	3/4"	16	20	60	80
Racine		1/4"	3/4"	3/4"	1 1/4"	1/4"	3/8"
Rexroth	6	8 & 10	20 & 22	DZ-20 DR-20	DZ-30 DR-30	2FRMM10-1	2FRMM15-1
Rivett	01-61	02-41	68** 3/8-1			P-8622-02-41	
Vickers	DG4V	DG45401	DG55406	RCG-06 XG-06	RG-10	FG-02-1500	FG-03-1500

Make the Connection with **magnaloy**

Whatever your Fluid Power Unit needs,
magnaloy has the products
to keep you connected.



Flexible Drive Couplings

Top-of-the-line magnesium couplings are lighter, yet stronger than either cast iron or aluminum. They also offer better corrosion resistance and easier handling.



Magnaloy Hydraulic Bar Manifolds & Accessories

Complete line of inline Bar Manifolds, Subplates, Cover Plates, Valve Adaptors, Integrated Circuit Manifolds, and Accessories to make the design and fabrication of Hydraulic Circuitry simple and easy. Wide range of sizes include: D03, D05, D05H & D08 in aluminum and steel with ports available in SAE, NPTF, BSPP, and BSPT styles. Custom design and fabrication also available, consult factory.

Accessories

Filler Breather Adaptors, Filler Breathers, Reservoir Flanges, Suction Strainers, Gauge Isolators, Liquid Level Gauges, Modular O-Ring Kits.



Pump/Motor Mounts

Precision machined aluminum & custom steel pump/motor mounts directly connect the motor and pump while ensuring accurate shaft alignment and enclosing the coupling. Vertical and horizontal models readily available from stock.



Rod End Couplers

Two models of accurately machined high tensile cylinder rod end alignment couplers offer 7° or 10° spherical and 1/8" parallel misalignment capabilities.

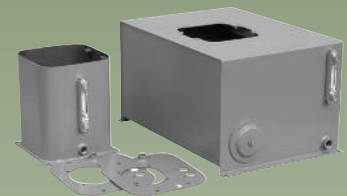


For a Free Catalog of any
of these fine products call
or visit us on-line.



PM 90 Couplings

Economical PM-90 Iron Powder Couplings have long lasting nitrile, hytel or urethane inserts. Double set screws give excellent gripping power.



Magnaloy Reservoirs & Reservoir Accessories

Magnaloy offers a complete line of standard reservoirs and reservoir accessories. In addition, we offer custom reservoir fabrication to meet our customer specific needs. Reservoirs accessories such as Clean Out Covers and SAE Couplings are available for the "do-it-yourself" reservoir manufacturer



Magnaloy Pressure Switch

Pressure Sensing switch capable of sensing up to three (3) separate pressures. Each sensor is externally independently adjustable from 200 to 4000 psi. Viton seals provide wide fluid compatibility range.

magnaloy coupling company 501 Commerce Drive Alpena, MI 49707 **989 356-2186**

A Division of Douville Johnston Corporation Fax: 989 354-4190 <http://www.magnaloy.com>

B