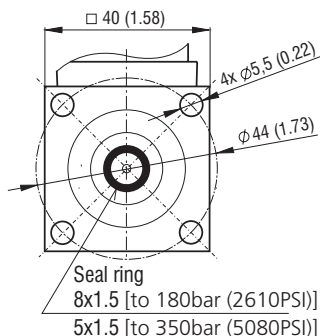


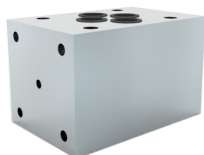
# TS3, MTS

Size 06 (D03), 10 (D05) •  $p_{max}$  350 bar (5100 PSI)

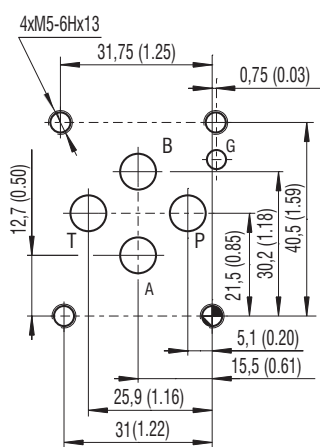
## TS3



## MTS

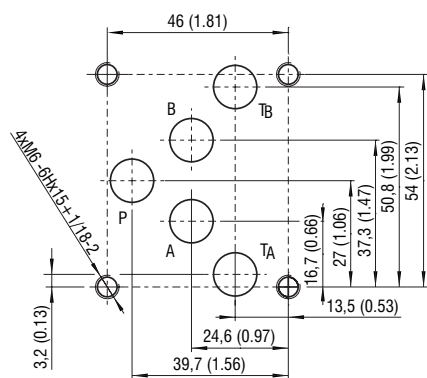


### ISO 4401-03-02-0-05 (CETOP 03)



Ports P, A, B, T - max.  $\varnothing$ 7.5 mm (0.29 in.)

### ISO 4401-05-04-0-05 (CETOP 05)



Ports P, A, B, T - max.  $\varnothing$ 11.2 mm (0.44 in.)

## Technical Features

- › Piston design
- › Rugged design suitable for stationary and mobile applications
- › Wide set point pressure range up to 350 bar
- › Precise set point adjustment with Allen screw
- › Factory preset or field adjustable
- › UL, CSA certification
- › Microswitch with silver-plated contacts
- › Basic flange type expandable using connecting or modular plate
- › Subplate mounting interface acc. to ISO 4401, DIN 24340 (CETOP 03 and 05)

## Functional Description

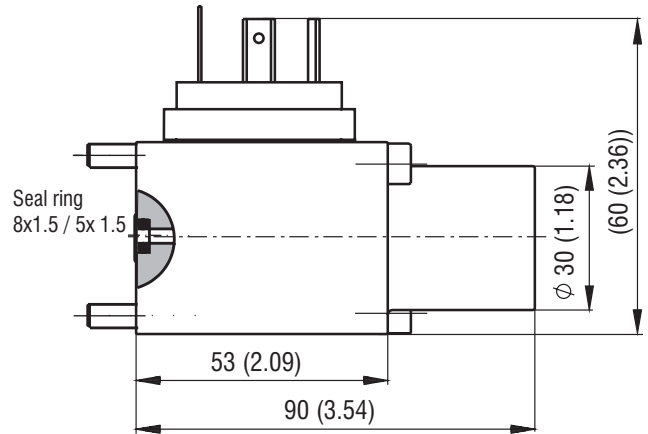
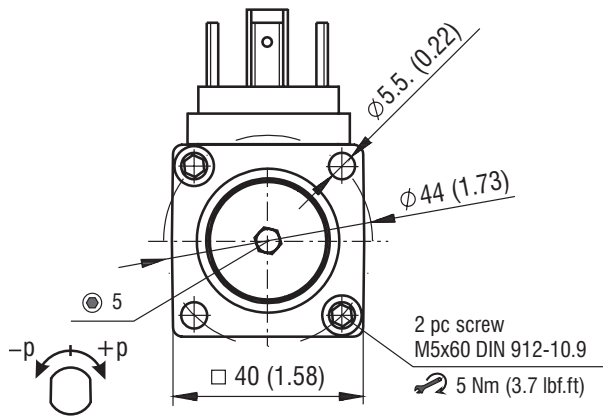
The pressure switch is intended to indicate reaching the set pressure in the hydraulic circuit. The pressure of working fluid acts on the piston face against a spring force. Pressure setting, needed for contact switching, is performed by spring compression by Allen screw turning. The build-in microswitch can be used as an opener, a closer, or a changer, depending on particular connection. There are three basic installation possibilities. The switch can be mounted with two screws on the surface of manifold (TS3-xx-0). It is also possible to use connecting plate with internal connecting thread G1/4 (TS3-xx-1) or SAE 6 (TS3-xx-3) for fitting and with two holes for connecting screws. The third possibility is connecting to the side surface of modular plate MTS size Dn 06 or Dn 10. The switch monitors the pressure in one of the channels P, A, B. The pressure switch can be rotated by 90° steps around the longitudinal axis.

## Technical Data

Sensor element		piston	
Max. operating pressure	bar (PSI)	250 (3626)	450 (6527)
Measuring ranges (adjustable)	bar (PSI)	5 ... 180 (73 ... 2611)	50 ... 350 (725 ... 5076)
Adjustable pressure (pressure rises)	bar (PSI)	5 ... 180 (73 ... 2611)	50 ... 350 (725 ... 5076)
Adjustable pressure (pressure drops)	bar (PSI)	3 ... 160 (44 ... 2321)	30 ... 300 (435 ... 4351)
Compressive strength	bar (PSI)	600 (8702)	
Hysteresis	%	≤15 range of measurement	
Max. switching frequency	min <sup>-1</sup>	60	
Repeatability	%	±1 of measuring range	
Ambient temperature	°C (°F)	-40 ... +80 (-40 ... +176)	
Max. temperature of switch	°C (°F)	+80 (+176)	
Service life	cycles	> 3 mil. switchings	
Material	housing	aluminum alloy	
	seals	NBR	
Mass	kg (lb)	0.35 (0.77) without flange	
<b>Electrical data</b>			
Electrical connection		connector DIN 43650, type A	
Microswitch (voltage / current)	V/A	250V AC/3A, 125V AC/5A, 30V DC/3A	
Switched load		inductive load	resistive load
30V DC	A	3	4
250V DC		0.2	0.2
250V AC		2	3
125V AC		3	5
Minimum load 160 mA at 5 V DC			
Enclosure acc. to EN 60529		IP65	

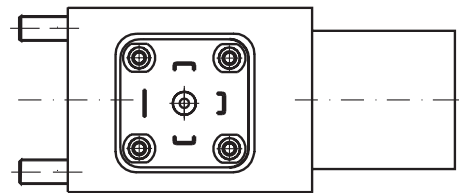
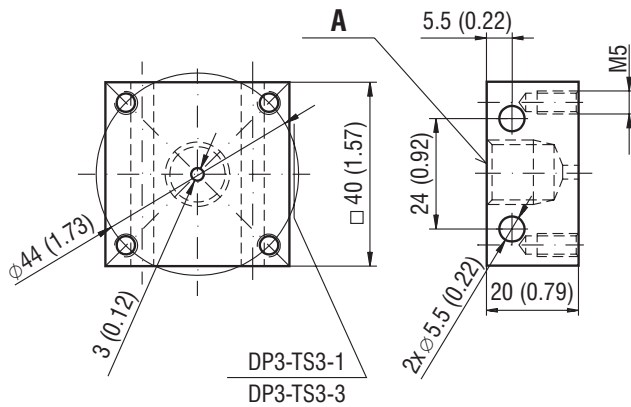
**Dimensions** in millimeters (inches)

**Typ TS3-xx-0 (without connecting plate)**



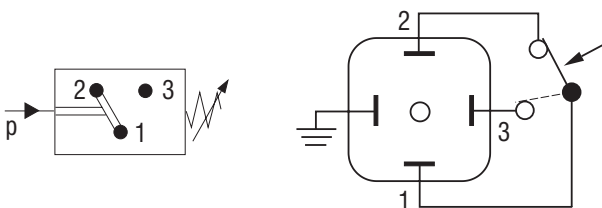
O-ring and mounting screws are supplied.

**Typ TS3-xx-1 (with connecting plate DP3-TS3-1 G1/4) / Typ TS3-xx-3 (with connecting plate DP3-TS3-3 SAE 6)**



Typ	A
TS3-xx-1 (with connecting plate DP3-TS3-1 G1/4)	G1/4
TS3-xx-3 (with connecting plate DP3-TS3-3 SAE 6)	SAE 6

**Electrical Connection**



**Switching functions:**

with increasing pressure the change-over switch opens the connection 1 – 2 and closes the circuit between 1 – 3.

**Ordering Code**

**TS3** -  -

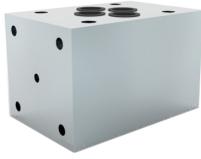
**Pressure switch, mechanical**

**Pressure ranges**

up to 5 ... 180 bar (73 ... 2611 PSI)	<b>18</b>
up to 50 ... 350 bar (725 ... 5076 PSI)	<b>35</b>

**Process connection**

<b>0</b>	without connecting plate
<b>1</b>	with connecting plate DP3-TS3-1 G1/4
<b>3</b>	with connecting plate DP3-TS3-3 SAE 6

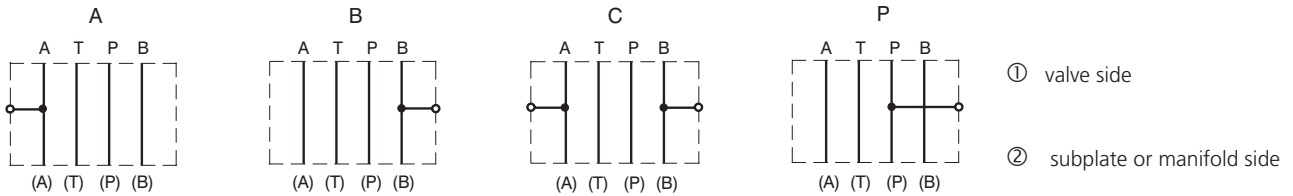


**Technical Features**

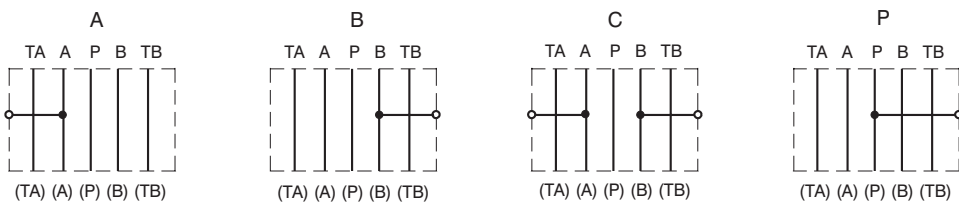
- › Subplate interface acc. to ISO 4401, DIN 24340 (CETOP 03 and 05)
- › Sandwich plate design for use in vertical stacking assemblies
- › In the standard version, the valve housing is phosphated and steel parts are zinc-coated for 240 h protection in NSS acc. to ISO 9227

**Functional Symbols**

**MTS sandwich plates size 06**



**MTS sandwich plates size 10**



**Ordering Code**

**MTS** [ ] - [ ] / [ ]

**Modular plate for pressure switch TS3**

**Nominal size**  
 ISO 4401-03-02-0-05, DIN 24340 (CETOP 03), size 06 **06**  
 ISO 4401-05-04-0-05, DIN 24340 (CETOP 05), size 10 **10**

**No designation**  
**A** zinc-coated (ZnCr-3), ISO 9227 (240 h)  
**B** zinc-coated (ZnNi), ISO 9227 (520 h)

**Surface treatment**  
 phosphated body

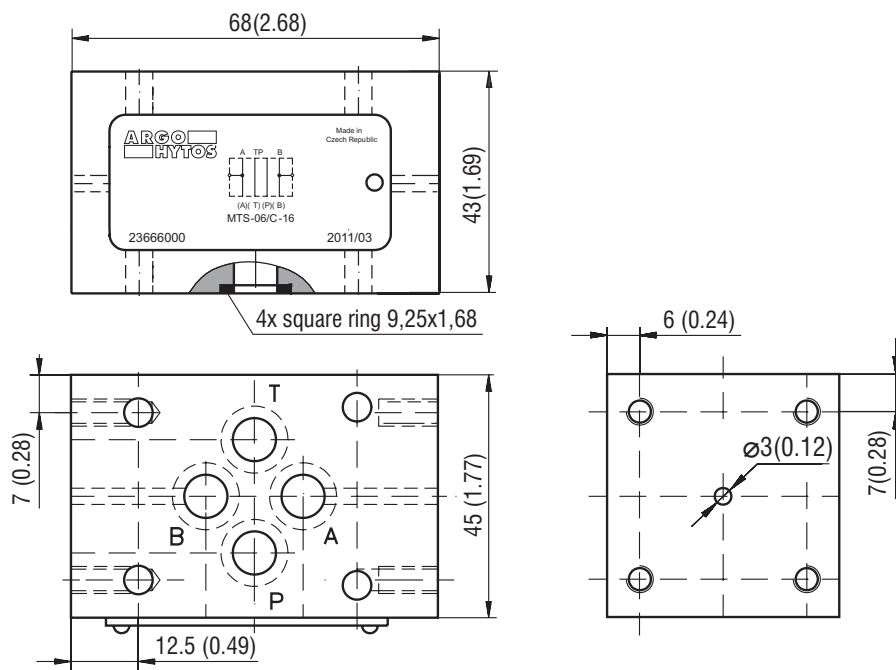
**Functional symbol**  
**A** connection in port A  
**B** connection in port B  
**C** connection in port A and B  
**P** connection in port P

**Accessories**

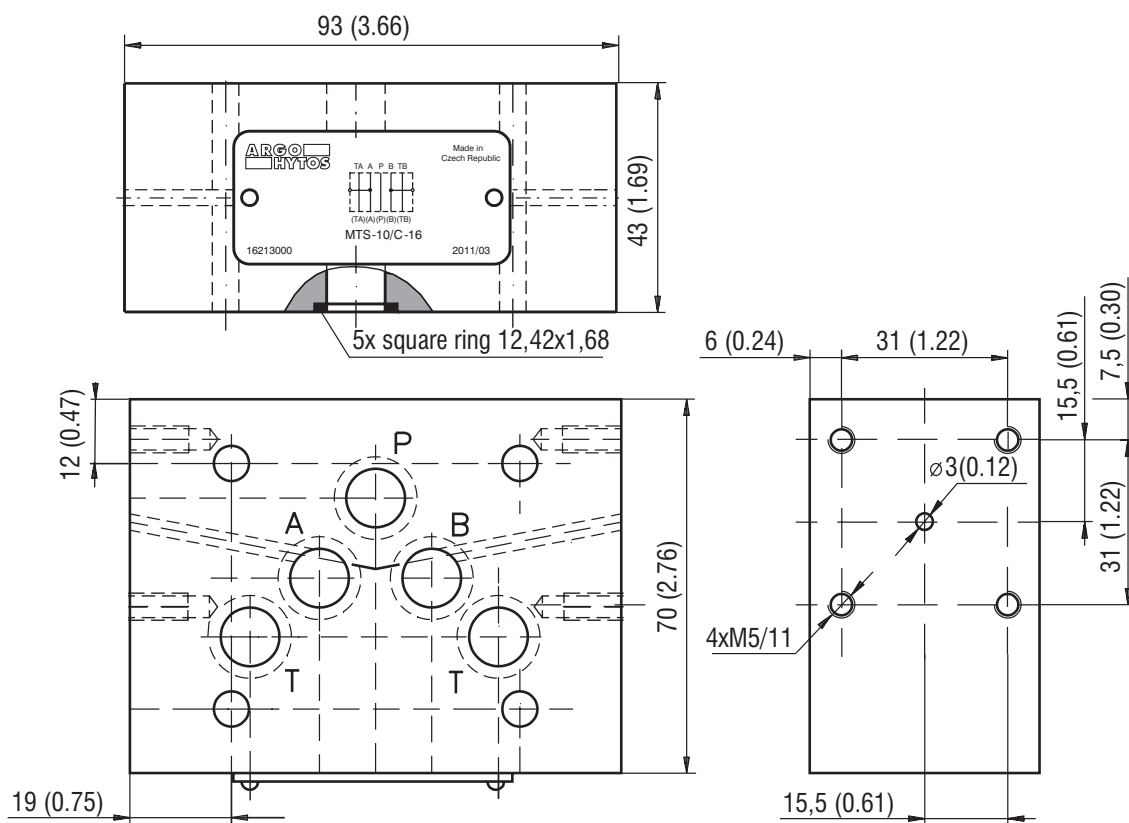
Connectors EN 175301-803-A			
Type	Solenoid connections	Ordering number	
Connector	Standard	28787900	

Sandwich Plate Dimensions in millimeters (inches)

MTS-06/C



MTS-10/C



The pressure switch can be rotated by 90° steps around the longitudinal axis.