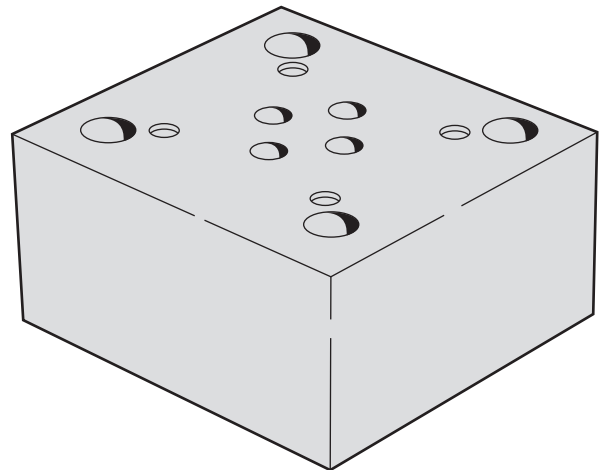
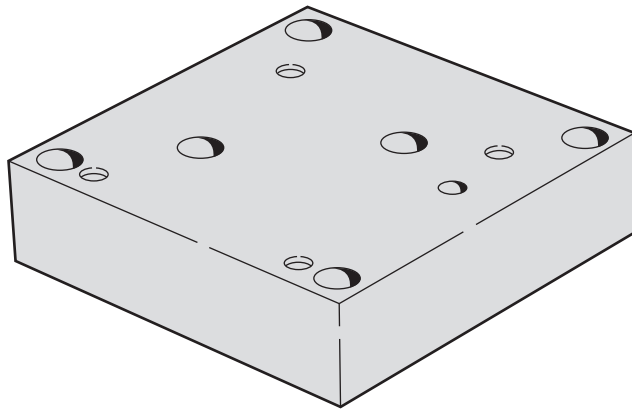
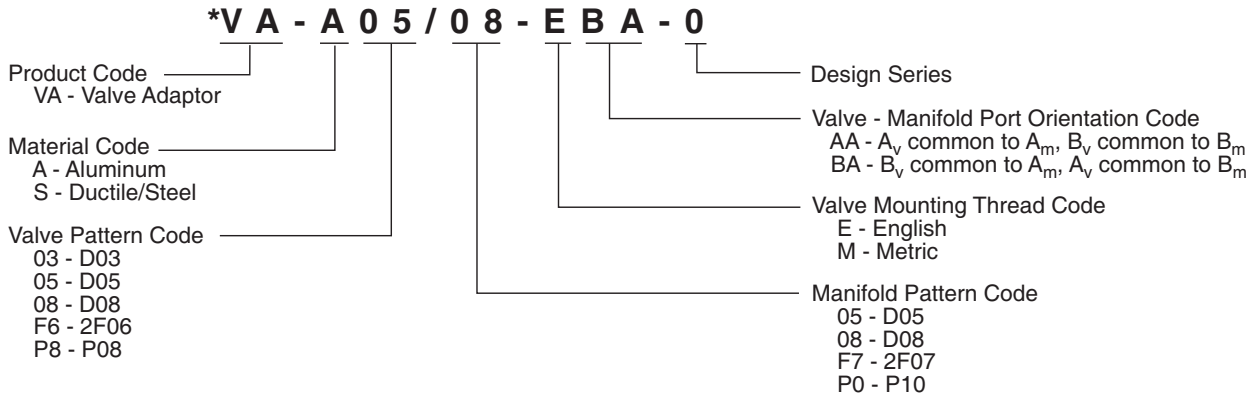


INDEX		Part Number	
Adaptors For Mounting Smaller Valve on Larger Valve Station		Aluminum	Ductile/Steel
83	NFPA D03 Valve on NFPA D05 Station	VA-A03/05-_BA-0	VA-S03/05-_BA-0
84	NFPA D05 Valve on NFPA D08 Station	VA-A05/08-_BA-0	VA-S05/08-_BA-0
85	NFPA 2F06 Valve on NFPA 2F07 Station	VA-AF6/F7-_AA-0	VA-SF6/F7-_AA-0
86	NFPA P-08 Valve on NFPA P-10 Station	VA-AP8/P0-_AA-0	VA-SP8/P0-_AA-0

3



MAGNALOY VALVE ADAPTOR PART NUMBER BREAKDOWN

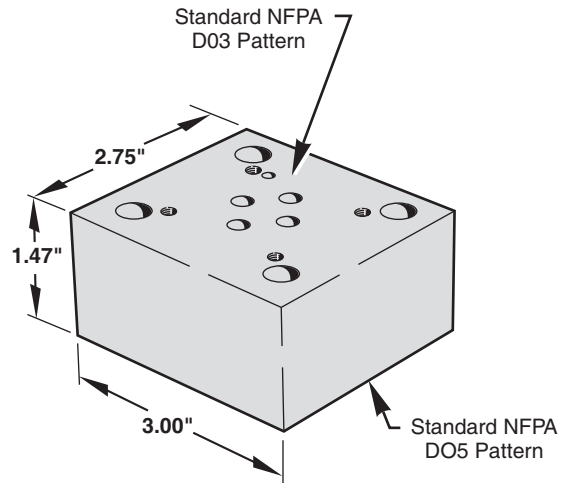


* See following Valve Adaptor Pages for specific Magnaloy standard configurations with options.

Directional Valve Pattern Valve Adaptor - D03 to D05

Application:

Adapts valve with NFPA D03 pattern to NFPA D05 pattern with either all ports common (AA) or the D03 "A" & "B" ports reversed to connect to the D05 "A" & "B" ports (BA)



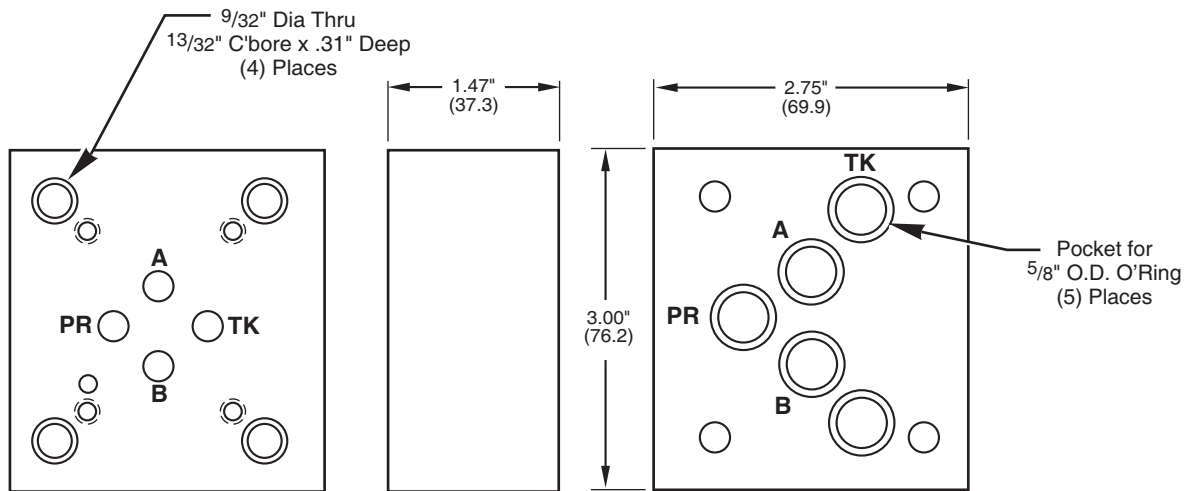
Supplied Hardware

- Mounting Bolts — (4) M6-1.0 x 38mm S.H.C.S. (M - Mtg.Code)
- Mounting Bolts — (4) 1/4-20 x 1 1/2" S.H.C.S. (E - Mtg.Code)
- O-Rings — Viton (5) 5/8" OD x 1/2" ID x 1/16" CS

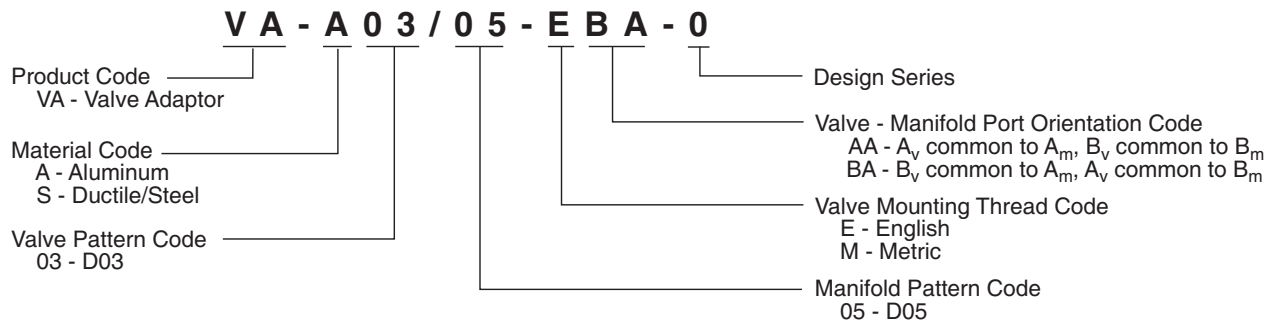
Part Numbers:

Aluminum	Ductile/Steel
VA-A03/05-BA-0	VA-S03/05-BA-0
VA-A03/05-AA-0	VA-S03/05-AA-0

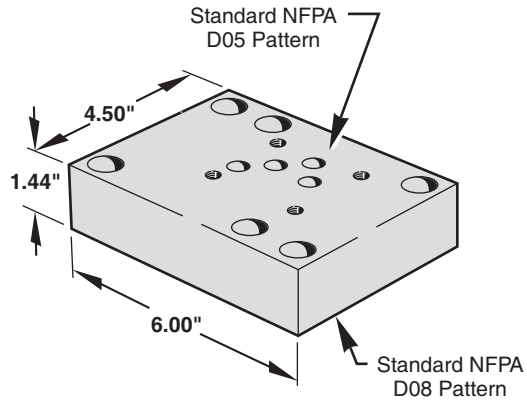
3



MAGNALOY VALVE ADAPTOR PART NUMBER BREAKDOWN



Application:
Adapts valve with NFFA D05 pattern to NFFA D08 pattern.



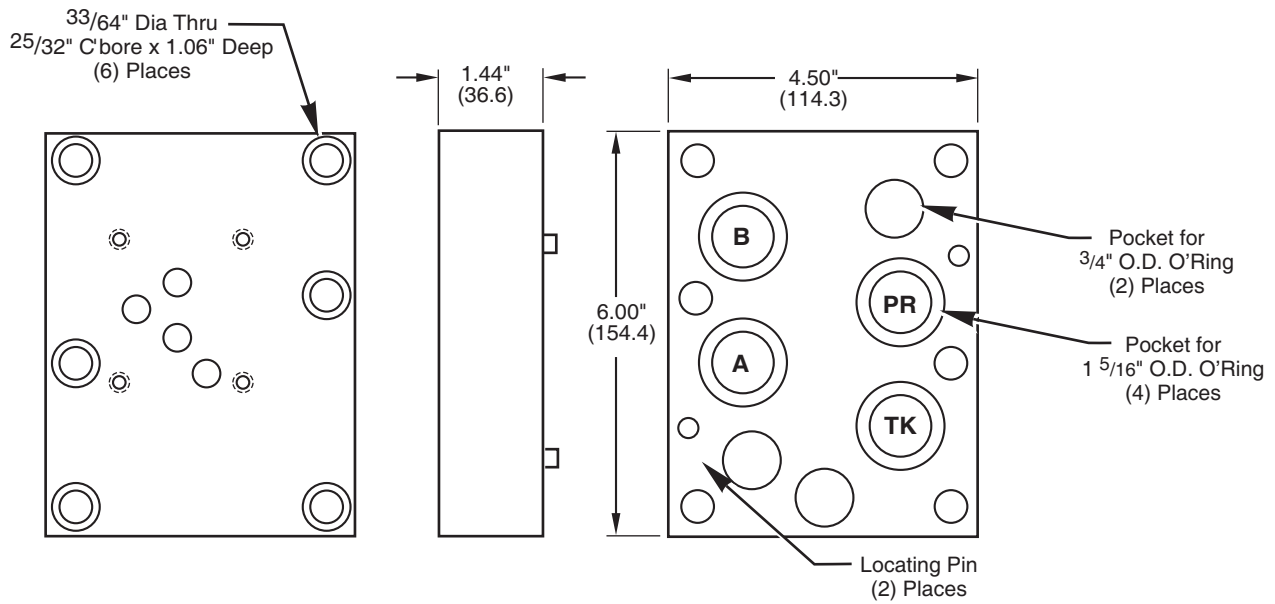
Supplied Hardware

- Mounting Bolts — (6) M12-1.75 x 38mm S.H.C.S. (M - Mtg.Code)
- Mounting Bolts — (6) 1/2-13 x 1 1/2" S.H.C.S. (E - Mtg.Code)
- O-Rings — Viton (3) 3/4" OD x 1/2" ID
- O-Rings — Viton (4) 1 5/16" OD x 1 1/16" ID
- Locating Pin — (2) 1/4" x 1/2" Roll Pin

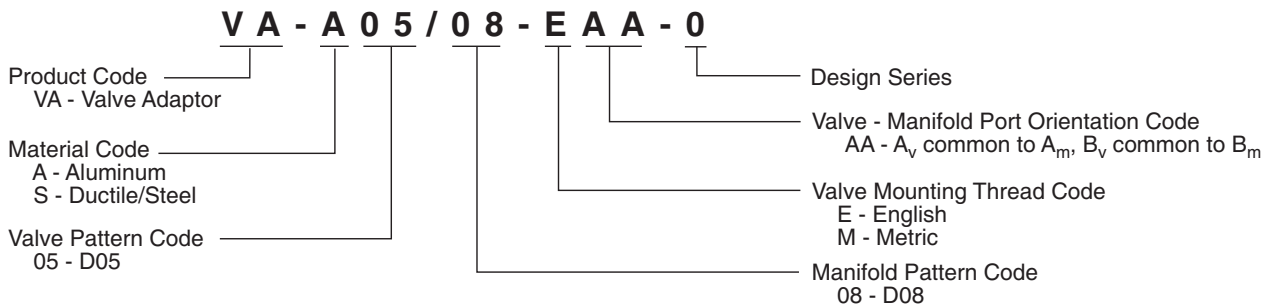
Part Numbers:

Aluminum	Ductile/Steel
VA-A05/08-AA-0	VA-S05/08-AA-0

3

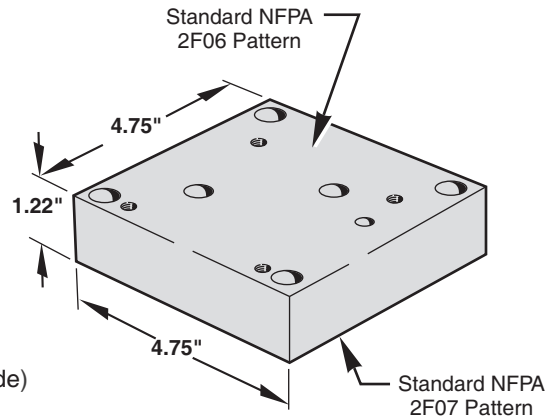


MAGNALOY VALVE ADAPTOR PART NUMBER BREAKDOWN



Directional Valve Pattern Valve Adaptor - 2F06 to 2F07

Application:
Adapts valve with NFPA 2F06 pattern to NFPA 2F07 pattern.

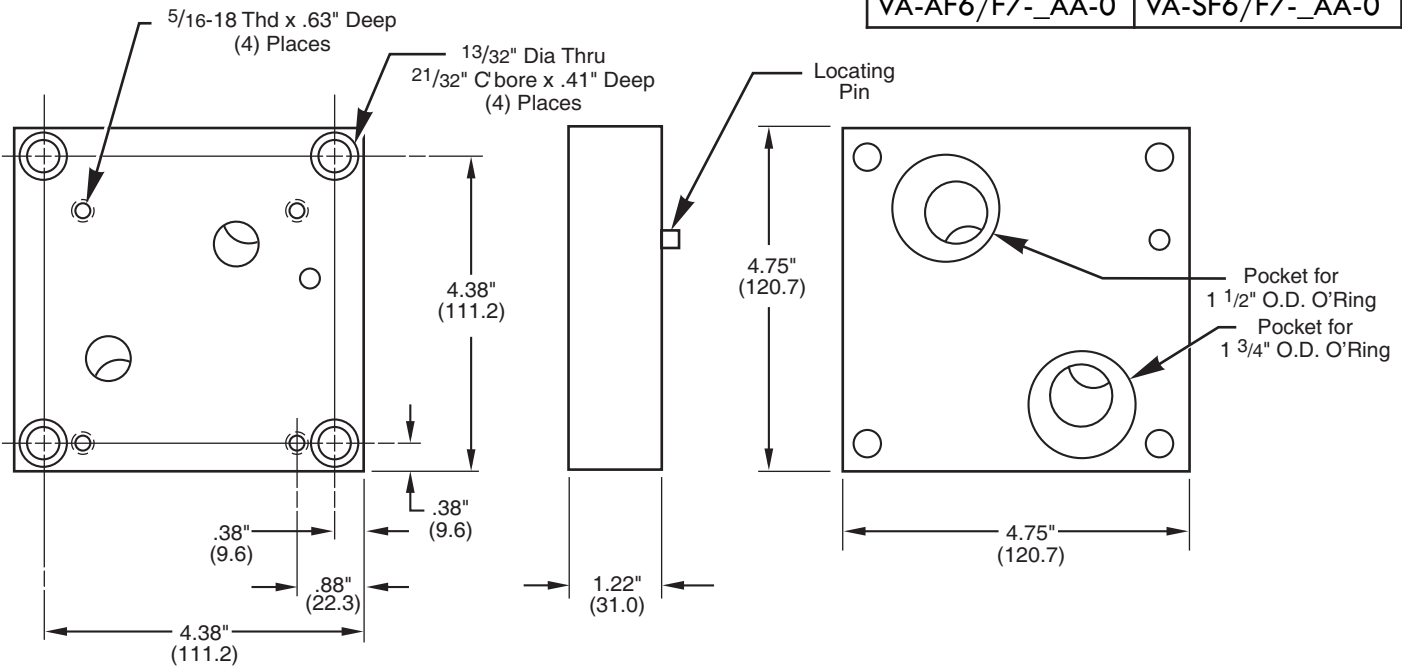


Supplied Hardware

- Mounting Bolts — (4) M10-1.5 x 32mm S.H.C.S. (M - Mtg.Code)
- Mounting Bolts — (4) 3/8-16 x 1 1/4" S.H.C.S. (E - Mtg.Code)
- O-Rings — Viton (1) 1 1/2" OD x 1 1/4" ID x 1/8" CS
- O-Rings — Viton (1) 1 3/4" OD x 1 1/2" ID x 1/8" CS
- Locating Pin — (1) 1/4" Dia. x 1/2" Roll Pin

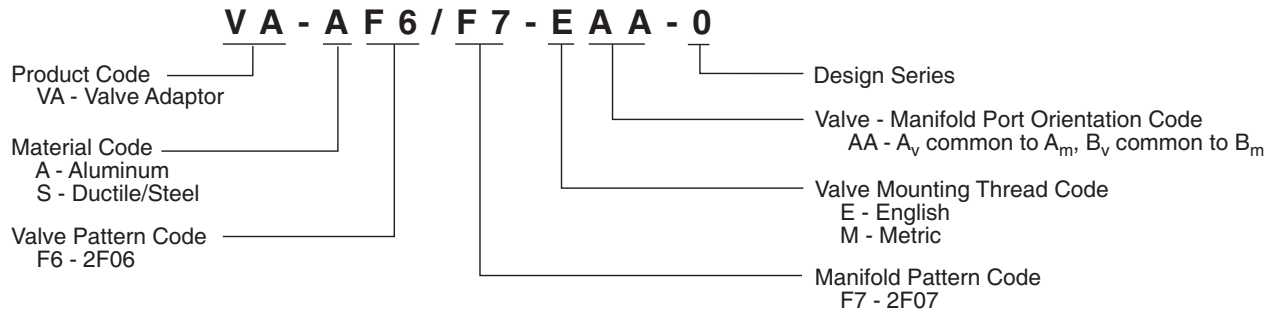
Part Numbers:

Aluminum	Ductile/Steel
VA-AF6/F7- <u>AA</u> -0	VA-SF6/F7- <u>AA</u> -0



3

MAGNALOY VALVE ADAPTOR PART NUMBER BREAKDOWN

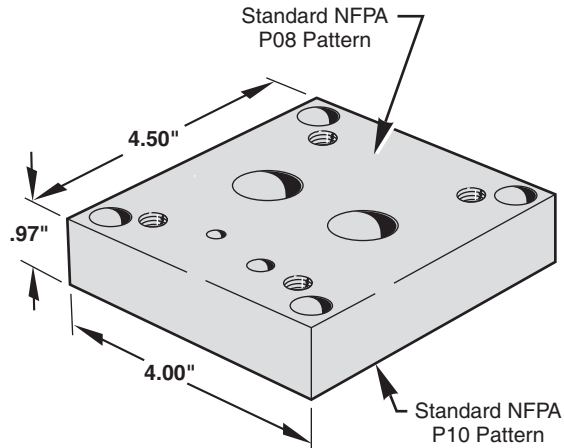


Application:

Adapts a 3/4" pressure control valve (NFFPA P08) to a 1 1/4" pressure control valve pattern (P10).

Note:

This adaptor is for use with internally drained valves. A passage is provided for external pilot pressure.



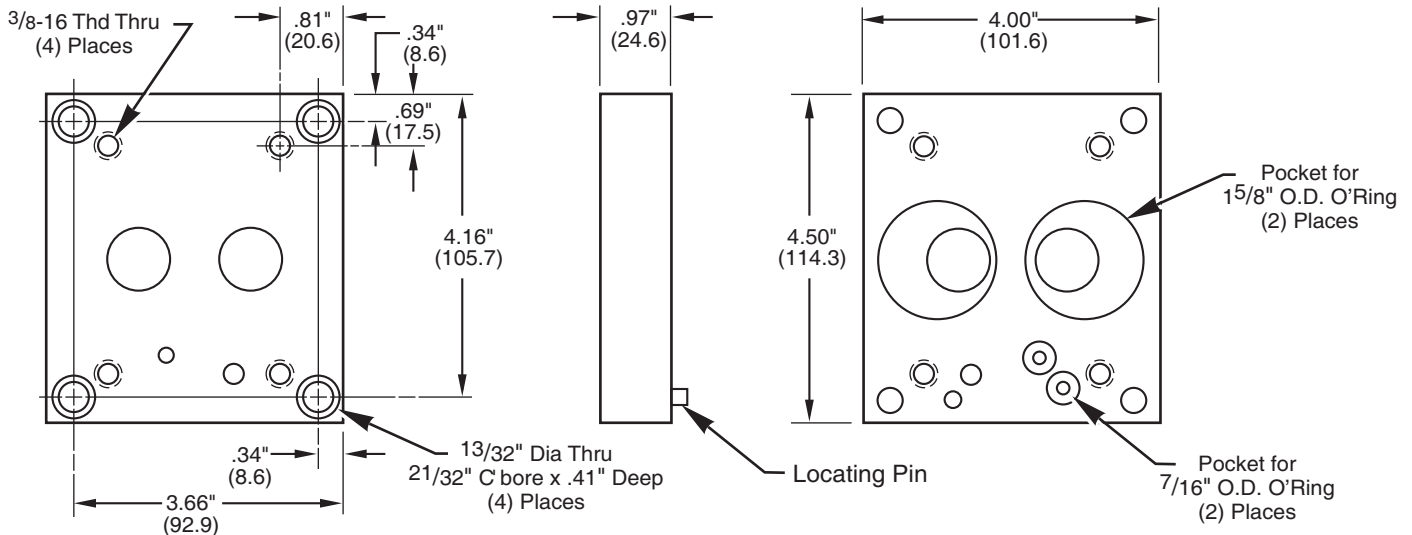
Supplied Hardware

- Mounting Bolts — (4) M10-1.5 x 32mm S.H.C.S. (M - Mtg.Code)
- Mounting Bolts — (4) 3/8-16 x 1 1/4" S.H.C.S. (E - Mtg.Code)
- O-Rings — Viton (2) 7/16" OD x 5/16" ID x 1/16" CS
- O-Rings — Viton (2) 1 5/8" OD x 1 3/8" ID x 1/8" CS
- Locating Pin — 1/4" Dia. x 1/2" Roll Pin

Part Numbers:

Aluminum	Ductile/Steel
VA-AP8/P0-AA-0	VA-SP8/P0-AA-0

3



MAGNALOY VALVE ADAPTOR PART NUMBER BREAKDOWN

