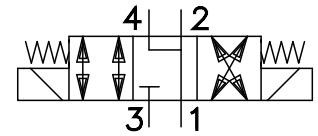
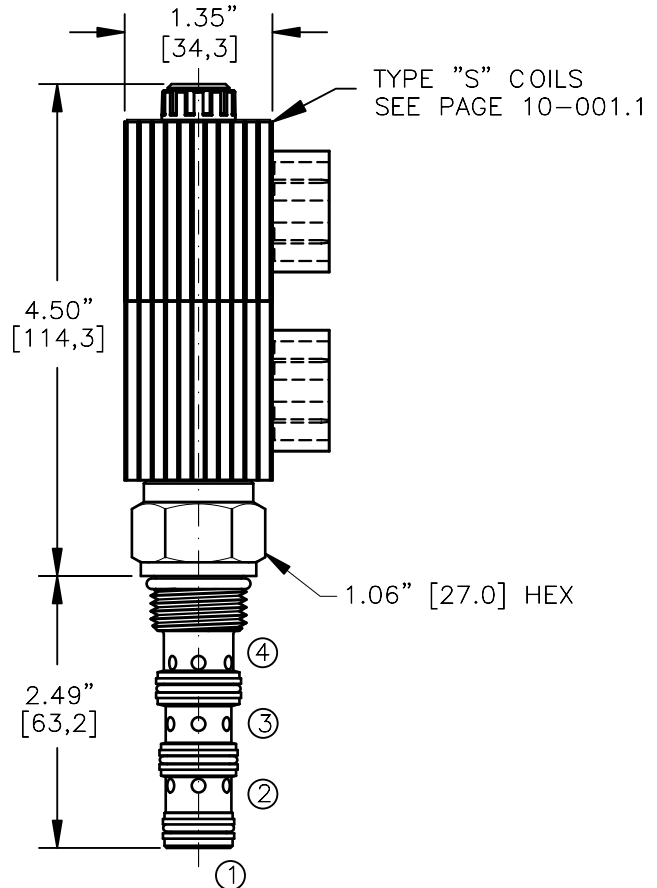
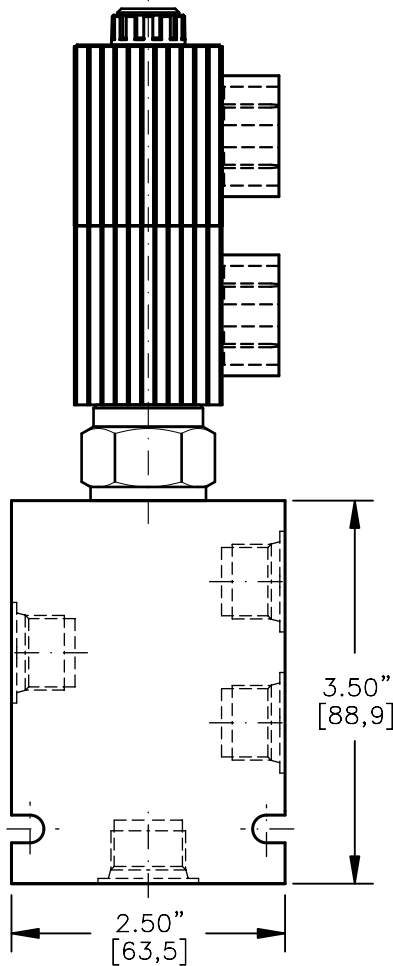


SOLENOID VALVE, 4-WAY, 3-POSITION, DIRECT ACTING SPOOL



TORQUE:

Steel = 55/60 Ft-Lb. [74/81 Nm]
Aluminum = 35/40 Ft-Lb. [47/54 Nm]



NOTES:

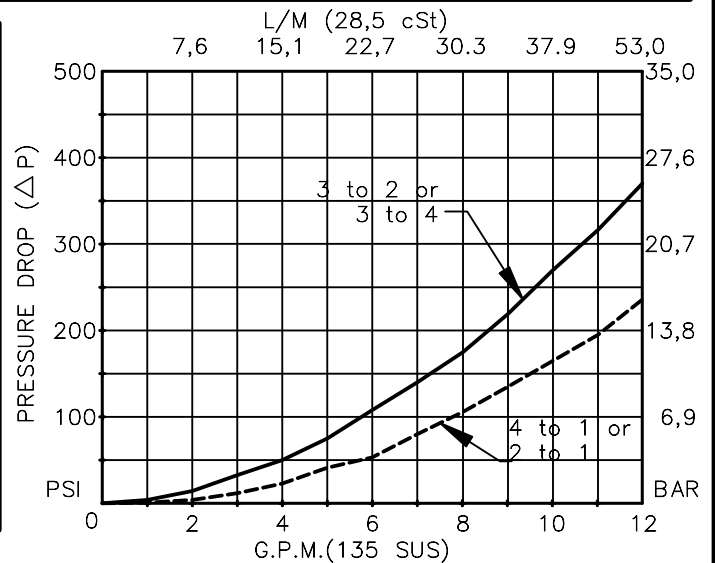
1. FOR ALUMINUM OR STEEL VALVE HOUSING CONFIGURATIONS SEE PAGE 0-042.1
2. SOLENOIDS AVAILABLE WITH DIODES - CONSULT FACTORY.

EMBV-10-X-4M-X-XXX X

BASIC _____
SIZE _____
 10 = 7/8"-14 UNF
SEALS _____
 N = BUNA "N"
 V = VITON
TYPE _____
 4M = "M" SPOOL
 4-WAY, 3-POSITION
PORTS _____
 0 = CARTRIDGE ONLY
 02BX = G 1/4", BSPP
 03BX = G 3/8", BSPP
 06TX = SAE - #6
 08TX = SAE - #8
 "A" - ALUM. HOUSING
 "S" - STEEL HOUSING

TERMINALS
 L = 18GA. 24" LEADS
 T = SPADE TERM.
 B = BOLT TERM.
 G = DIN 43650
 W = WEATHER-PACK
 D = DEUTSCH-DT04-2P
 M = METRI-PACK CONN.

| VOLTAGE | AMPS |
|--------------|------|
| 12D = 12 VDC | 1.85 |
| 24D = 24 VDC | .92 |
| 36D = 36 VDC | .62 |
| 48D = 48 VDC | .46 |



SOLENOID VALVE, 4-WAY, 3-POSITION, DIRECT ACTING SPOOL

DESCRIPTION

This unit is a FOUR-WAY, THREE POSITION, cartridge type, spool type, direct acting, screw in type, solenoid operated, double coil, bidirectional motor spool selector valve.

OPERATIONS

At the initial position, this valve allows flow between ports 4, 2 & 1. When the upper solenoid coil is energized, the spool in this valve is shifted and allows flow between ports 1 and 2 and ports 3 and 4. When the lower solenoid coil is energized, the spool in this valve is shifted and allows flow between ports 1 and 4 and ports 2 and 3.

FEATURES AND BENEFITS

Continuous-duty, very low heat rise & waterproof solenoid coils.
Interchangeable solenoid coils & terminations options available.
Hardened precision fitted spool & sleeve provides reliable, long life.
Very efficient, wet-armature solenoid core tube construction.
All external carbon steel parts are plated for longer life against the elements.
All cartridge valves are 100% functionally tested.
Industry common cavity.

**SOLENOID VALVE, 4-WAY, 3-POSITION,
DIRECT ACTING SPOOL****SPECIFICATIONS**

OPERATING PRESSURE: 5,000 PSI [350 Bar]

PROOF PRESSURE: 10,000 PSI [700 Bar]

FLOW: 6.0 GPM [22,7 l/m] max. (SEE PERFORMANCE CHART)

INTERNAL LEAKAGE: 10 cu.in./min [164 cc/m] @ 5,000 PSI [350 Bar]

VALVE HOUSINGS: 2500 PSI [175 Bar] = Aluminum – Anodized.

5000 PSI [350 Bar] = Steel – Unplated.

OIL TEMPERATURE: -40° to +175° F. [-40° to +80° C.]

AMBIENT TEMPERATURE: -40° to +122° F. [-40° to +50° C.]

Please consult factory for continuously energized or
high ambient temperature application (>122° F [50°C])

OPERATING MEDIA: All general purpose hydraulic fluids such as

MIL-H-5606, SAE-#10, SAE-#20, etc.

RESPONSE TIME: First indication of change in pressure with 100%
voltage supplied @ 80% of nominal flow rating.

* Pull-in: 50 ms

* Drop-Out: 50 ms

SEAL KIT: SKN-1042 Buna "N"

SKV-1042 Viton

WEIGHT: 2.1 lb [.95 kg] cartridge with coils only.

VALVE CAVITY: #C1040, See Page 0-042.0.