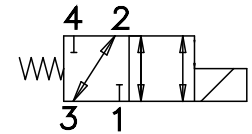
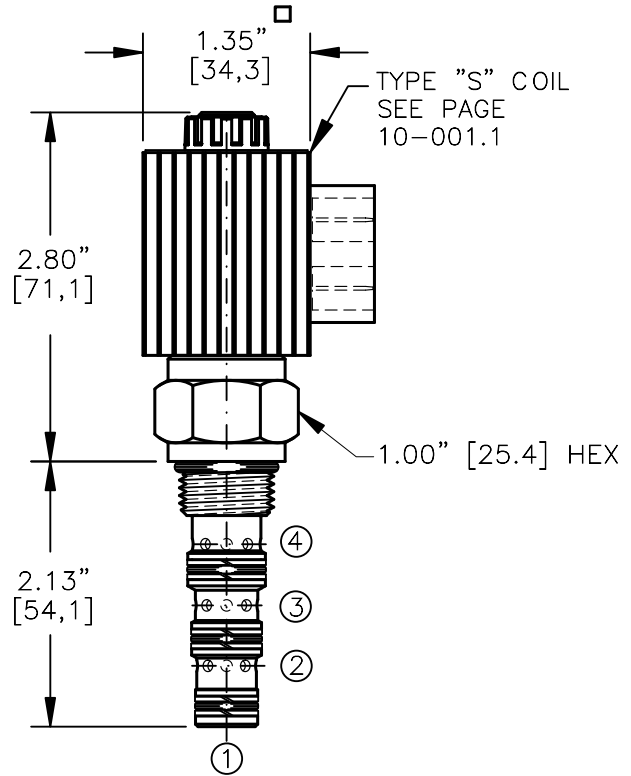
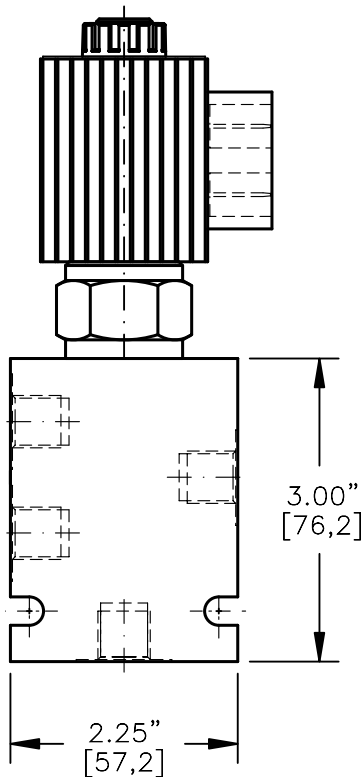


SOLENOID VALVE, 4-WAY, 2-POSITION.
DIRECT ACTING, SPOOL TYPE (4/2)



TORQUE:

Steel = 35/40 Ft-Lb. [47/54 Nm]
Aluminum = 25/30 Ft-Lb. [34/41 Nm]



NOTES:

1. FOR ALUMINUM OR STEEL VALVE HOUSING CONFIGURATIONS SEE PAGE 0-041.1
2. SOLENOIDS AVAILABLE WITH DIODES - CONSULT FACTORY.
3. FOR "AC" COILS USE RECTIFIED DIN CONNECTOR 20828.

EMDV-08-X-4M-X-XXX X

BASIC

SIZE
08 = 3/4"-16UNF

SEALS
N = BUNA "N"
V = VITON

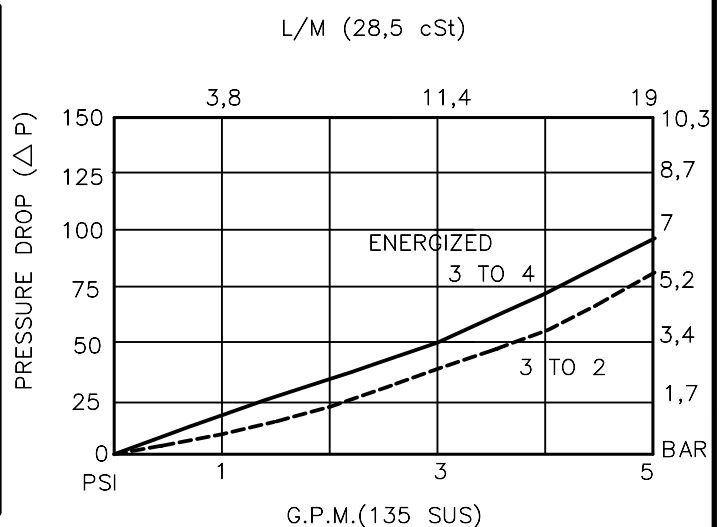
TYPE
4M = "M" SPOOL
4-WAY, N.O. SELECTOR

PORTS = CARTRIDGE ONLY
0 = G 1/4" BSSP
02BX = SAE - #6
06TX "A" = ALUM. HOUSING
"S" = STEEL HOUSING

TERMINALS

L = 18GA. 24" LEADS
T = SPADE TERM.
B = BOLT TERM.
G = DIN43650
W = WEATHER-PACK
D = DEUTSCH-DT04-2P
M = METRI-PACK CONN.

VOLTAGE AMPS
12D = 12 VDC 1.7
24D = 24 VDC .9
36D = 36 VDC .6
48D = 48 VDC .5
115D = 115 VDC .2



SOLENOID VALVE 4-WAY, 2-POSITION, DIRECT ACTING, SPOOL TYPE (4/2)

DESCRIPTION

This unit is a FOUR-WAY, TWO POSITION, cartridge type, spool type, direct acting, screw in type, solenoid operated, normally open selector valve.

OPERATIONS

When solenoid coil is de-energized, this valve allows flow from port 3 to port 2 and blocks 1 & 4.

When solenoid coil is energized, the spool in this valve is shifted and allows flow from port 1 to 2, and port 3 to 4 and vice versa.

FEATURES AND BENEFITS

Continuous-duty, very low heat rise & waterproof solenoid coil.

Interchangeable solenoid coils & terminations options available.

Hardened precision fitted spool & sleeve provides reliable, long life.

Very efficient, wet-armature solenoid core tube construction.

All external carbon steel parts are plated for longer life against the elements.

All cartridge valves are 100% functionally tested.

Industry common cavity.

**SOLENOID VALVE 4-WAY, 2-POSITION,
DIRECT ACTING, SPOOL TYPE (4/2)****SPECIFICATIONS**

OPERATING PRESSURE: 5,000 PSI [350 Bar]

PROOF PRESSURE: 10,000 PSI [700 Bar]

FLOW: 5.0 GPM [19 l/m] See performance chart.

INTERNAL LEAKAGE: 5cu.in/min [82 cc/m] @ 5,000 PSI (350 Bar)

VALVE HOUSINGS: 2500 PSI [175 Bar] = Aluminum - Anodized.

5000 PSI [350 Bar] = Steel - Unplated.

OIL TEMPERATURE: -40° to +175° F. [-40° to +80° C.]

AMBIENT TEMPERATURE: -40° to +122° F. [-40° to +50° C.]

Please consult factory for continuously energized or
high ambient temperature application (>122° F [50°C])

OPERATING MEDIA: All general purpose hydraulic fluids such as

MIL-H-5606, SAE-#10, SAE-#20, etc.

RESPONSE TIME: First indication of change in pressure with 100%
voltage supplied @ 80% of nominal flow rating.

* Pull-in: 50 ms

* Drop-Out: 50 ms

SEAL KIT: SKN-0842 Buna "N"

SKV-0842 Viton

WEIGHT: .98 lb [.44 kg] cartridge with coil only.

VALVE CAVITY: #C0840, See Page 0-041.0.