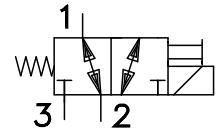
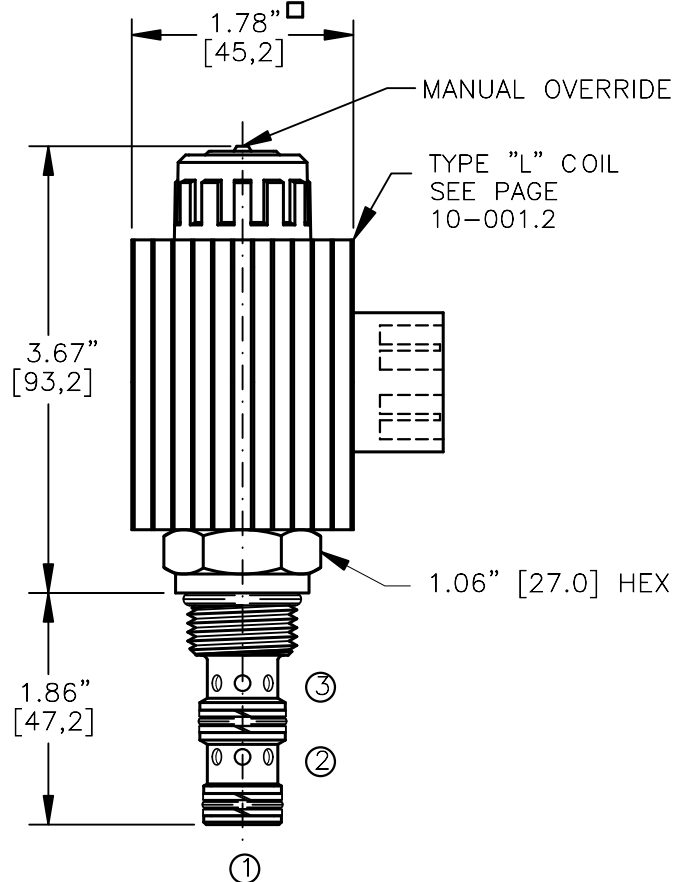
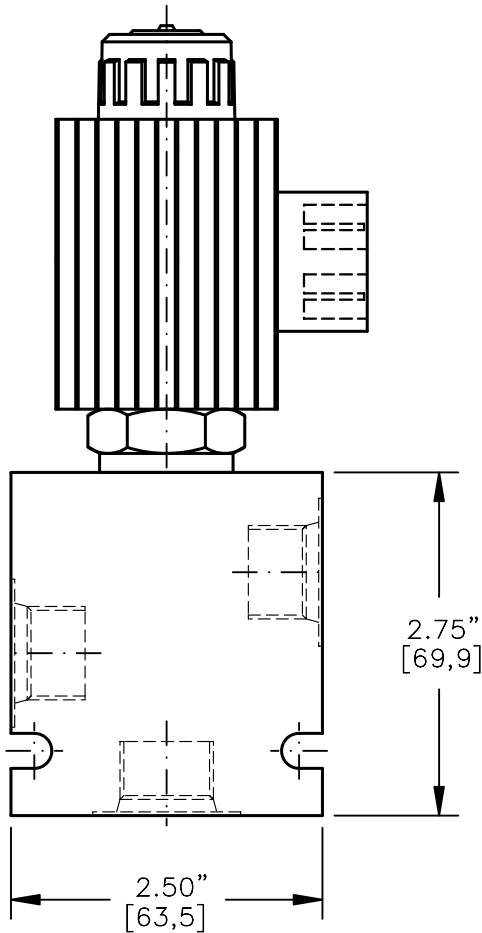


SOLENOID VALVE, 3-WAY, 2-POSITION  
DIRECT ACTING, SPOOL TYPE (3/2)



TORQUE:

Steel = 55/60 Ft-Lb. [74/81 Nm]  
Aluminum = 35/40 Ft-Lb. [47/54 Nm]



NOTES:

1. FOR ALUMINUM OR STEEL VALVE HOUSING CONFIGURATIONS SEE PAGE 0-032.1
2. SOLENOIDS AVAILABLE WITH DIODES - CONSULT FACTORY.
3. ALL A.C. COILS ARE INTERNALLY A.C. TO D.C. RECTIFIED.
4. FOR SOFT SHIFT SOLENOID VALVE SEE PAGE 10-002.0

EMDV-10-X-3B-X-XXX X

BASIC

SIZE  
10 = 7/8"-14UNF

SEALS

N = BUNA "N"  
V = VITON

TYPE

3B = "B" SPOOL  
3-WAY, 2-POSITION

PORTS

0 = CARTRIDGE ONLY  
02BX = G 1/4" BSPP  
03BX = G 3/8" BSPP  
06TX = SAE - #6  
08TX = SAE - #8

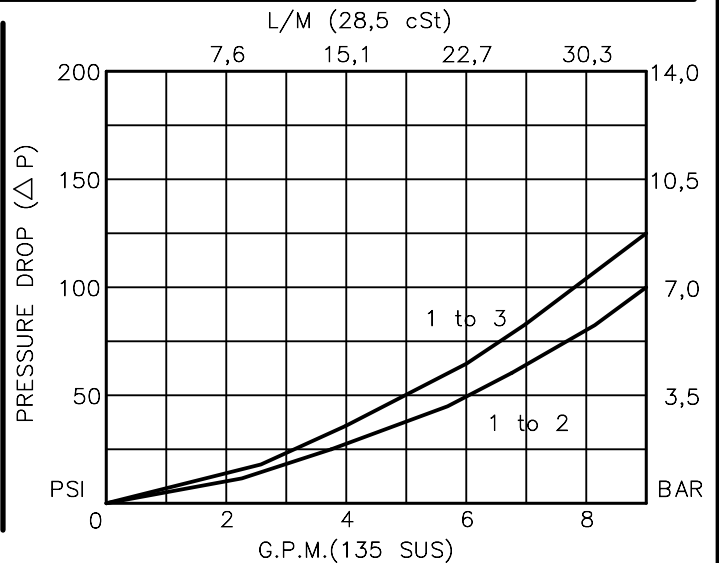
"A" = ALUM. HOUSING  
"S" = STEEL HOUSING

TERMINALS

L = 18GA. 24" LEADS  
T = SPADE TERM.  
B = BOLT TERM.  
G = DIN43650  
W = WEATHER-PACK  
D = DEUTSCH-DT04-2P  
M = METRI-PACK CONN.

VOLTAGE AMPS

12D = 12 VDC 3.00  
24D = 24 VDC 1.50  
36D = 36 VDC 1.00  
48D = 48 VDC 0.75  
110D = 110 VDC 0.33  
115A = 115 VAC 0.32  
230A = 230 VAC 0.16



**SOLENOID VALVE 3-WAY, 2-POSITION,  
DIRECT ACTING, SPOOL TYPE (3/2)****DESCRIPTION**

This unit is a THREE-WAY, TWO POSITION, cartridge type, spool type, direct acting, screw in type, solenoid operated, directional control valve.

**OPERATIONS**

When solenoid coil is de-energized, this valve allows flow between ports 1 and 2, port 3 is blocked.

When solenoid coil is energized, the spool in this valve is shifted and allows flow between ports 1 and 3 and port 2 is blocked. This valve shifts in a closed position.

Manual Operator Standard: Push in and hold a small plunger on top of the valve with a screw driver or a similar plunger smaller than .188" dia.

**FEATURES AND BENEFITS**

Continuous-duty, very low heat rise & waterproof solenoid coil.

Interchangeable solenoid coils & terminations options available.

Hardened precision fitted spool & sleeve provides reliable, long life.

Very efficient, wet-armature solenoid core tube construction.

All external carbon steel parts are plated for longer life against the elements.

All cartridge valves are 100% functionally tested.

Industry common cavity.

**SOLENOID VALVE 3-WAY, 2-POSITION,  
DIRECT ACTING, SPOOL TYPE (3/2)****SPECIFICATIONS**

OPERATING PRESSURE: 5,000 PSI [350 Bar]

PROOF PRESSURE: 10,000 PSI [700 Bar]

FLOW: 8.0 GPM [30 l/m] See performance chart.

INTERNAL LEAKAGE: 5 cu.in/min [82 cc/m] @ 5,000 PSI [350 Bar]

VALVE HOUSINGS: 2500 PSI [175 Bar] = Aluminum - Anodized.

5000 PSI [350 Bar] = Steel - Unplated.

OIL TEMPERATURE: -40° to +175° F. [-40° to +80° C.]

AMBIENT TEMPERATURE: -40° to +122° F. [-40° to +50° C.]

Please consult factory for continuously energized or  
high ambient temperature application (>122° F [50°C])

OPERATING MEDIA: All general purpose hydraulic fluids such as

MIL-H-5606, SAE-#10, SAE-#20, etc.

RESPONSE TIME: First indication of change in pressure with 100%  
voltage supplied @ 80% of nominal flow rating.

\* Pull-in: 50 ms

\* Drop-Out: 50 ms

SEAL KIT: SKN-1032 Buna "N"

SKV-1032 Viton

INSTALLATION: No restrictions.

WEIGHT: 1.95 lb [.88 kg] cartridge with coil only.

VALVE CAVITY: #C1030, See Page 0-032.0.