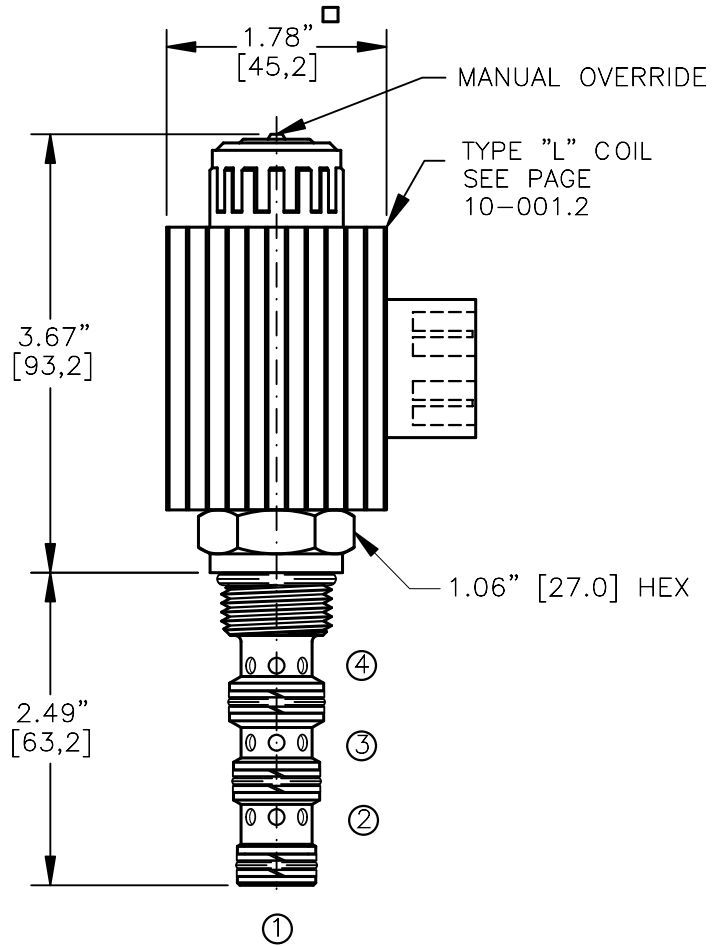
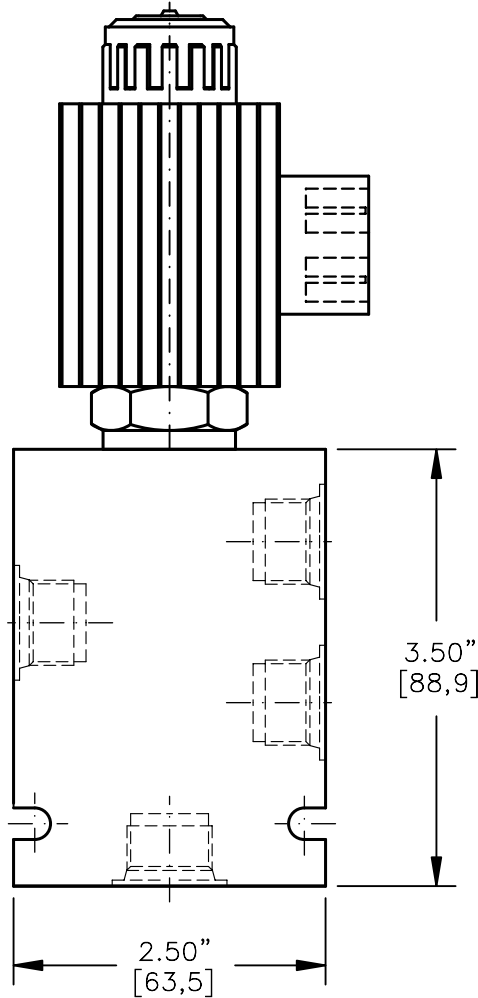
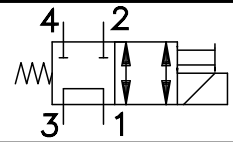


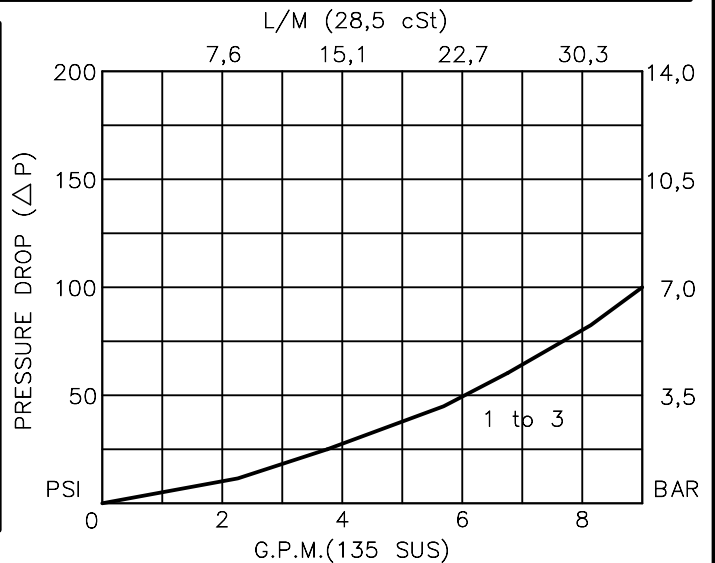
SOLENOID VALVE, 4-WAY, 2-POSITION.
DIRECT ACTING, SPOOL TYPE (4/2)



TORQUE:
Steel = 55/60 Ft-Lb. [74/81 Nm]
Aluminum = 35/40 Ft-Lb. [47/54 Nm]

EMDV-10-X-4D-X-XXX X

- | | |
|---------------------|----------------------|
| BASIC | TERMINALS |
| SIZE | L = 18GA. 24" LEADS |
| 10 = 7/8"-14UNF | T = SPADE TERM. |
| SEALS | B = BOLT TERM. |
| N = BUNA "N" | G = DIN43650 |
| V = VITON | W = WEATHER-PACK |
| TYPE | D = DEUTSCH-DT04-2P |
| 4D = "D" SPOOL | M = METRI-PACK CONN. |
| 4-WAY, 2-POSITION | |
| PORTS | VOLTAGE AMPS |
| 0 = CARTRIDGE ONLY | 12D = 12 VDC 3.00 |
| 02BX = G 1/4" BSPP | 24D = 24 VDC 1.50 |
| 03BX = G 3/8" BSPP | 36D = 36 VDC 1.00 |
| 06TX = SAE - #6 | 48D = 48 VDC 0.75 |
| 08TX = SAE - #8 | 110D = 110 VDC 0.33 |
| "A" = ALUM. HOUSING | 115A = 115 VAC 0.32 |
| "S" = STEEL HOUSING | 230A = 230 VAC 0.16 |



**SOLENOID VALVE 4-WAY, 2-POSITION,
DIRECT ACTING, SPOOL TYPE (4/2)****DESCRIPTION**

This unit is a FOUR-WAY, TWO POSITION, cartridge type, spool type, direct acting, screw in type, solenoid operated, directional control valve.

OPERATIONS

When solenoid coil is de-energized, this valve allows flow between ports 1 and 3, no flow to ports 2 and 4.

When solenoid coil is energized, the spool in this valve is shifted and allows flow between ports 1 and 2, ports 3 and 4.

Manual Operator Standard: Push in and hold a small plunger on top of the valve with a screw driver or a similar plunger smaller than .188" dia.

FEATURES AND BENEFITS

Continuous-duty, very low heat rise & waterproof solenoid coil.

Interchangeable solenoid coils & terminations options available.

Hardened precision fitted spool & sleeve provides reliable, long life.

Very efficient, wet-armature solenoid core tube construction.

All external carbon steel parts are plated for longer life against the elements.

All cartridge valves are 100% functionally tested.

Industry common cavity.

**SOLENOID VALVE 4-WAY, 2-POSITION,
DIRECT ACTING, SPOOL TYPE (4/2)****SPECIFICATIONS**

OPERATING PRESSURE: 5,000 PSI [350 Bar]

PROOF PRESSURE: 10,000 PSI [700 Bar]

FLOW: 8.0 GPM [30 l/m] See performance chart.

INTERNAL LEAKAGE: 5cu.in./min [82 cc/m] @ 5,000 PSI [350 Bar]

VALVE HOUSINGS: 2500 PSI [175 Bar] = Aluminum - Anodized.

5000 PSI [350 Bar] = Steel - Unplated.

OIL TEMPERATURE: -40° to +175° F. [-40° to +80° C.]

AMBIENT TEMPERATURE: -40° to +122° F. [-40° to +50° C.]

Please consult factory for continuously energized or
high ambient temperature application (>122° F [50°C])

OPERATING MEDIA: All general purpose hydraulic fluids such as

MIL-H-5606, SAE-#10, SAE-#20, etc.

RESPONSE TIME: First indication of change in pressure with 100%
voltage supplied @ 80% of nominal flow rating.

* Pull-in: 50 ms

* Drop-Out: 50 ms

SEAL KIT: SKN-1042 Buna "N"

SKV-1042 Viton

WEIGHT: 2.01 lb [.91 kg] cartridge with coil only.

VALVE CAVITY: #C1040, See Page 0-042.0.