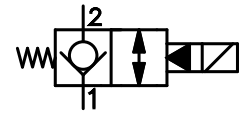
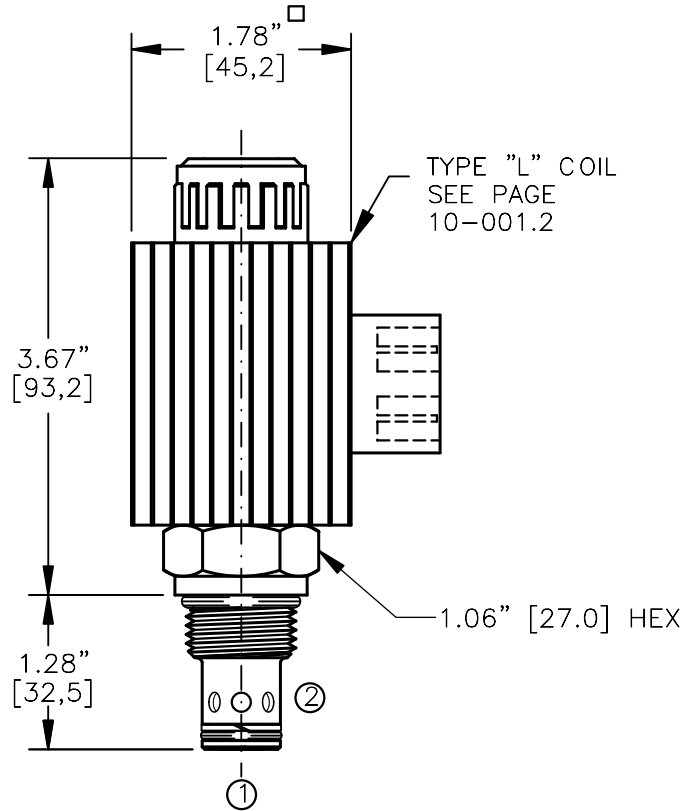
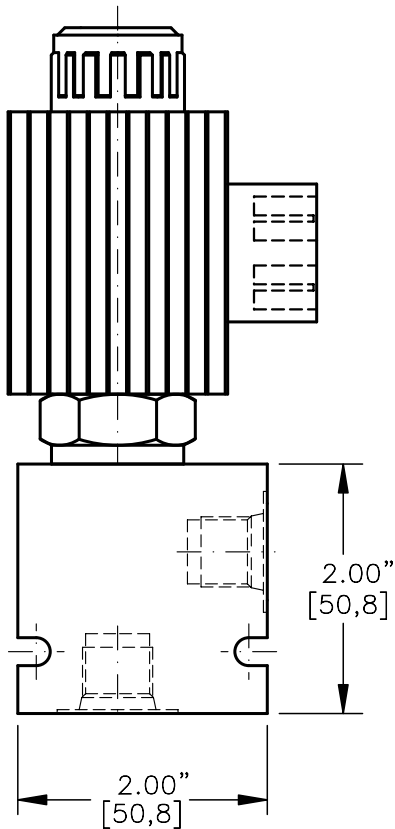


SOLENOID VALVE, NORMALLY CLOSED.  
PILOT OPERATED, POPPET TYPE (2/2)



TORQUE:

Steel = 55/60 Ft-Lb. [74/81 Nm]  
Aluminum = 35/40 Ft-Lb. [47/54 Nm]



NOTES:

1. FOR ALUMINUM OR STEEL VALVE HOUSING CONFIGURATIONS SEE PAGE 0-012.1
2. SOLENOIDS AVAILABLE WITH DIODES - CONSULT FACTORY.
3. ALL A.C. COILS ARE INTERNALLY A.C. TO D.C. RECTIFIED.
4. FOR SOFT SHIFT SOLENOID VALVE SEE PAGE 10-002.0

**EMDV-10-X-C4-X-XXX X**

BASIC

SIZE  
10 = 7/8" - 14UNF

SEALS  
N = BUNA "N"  
V = VITON

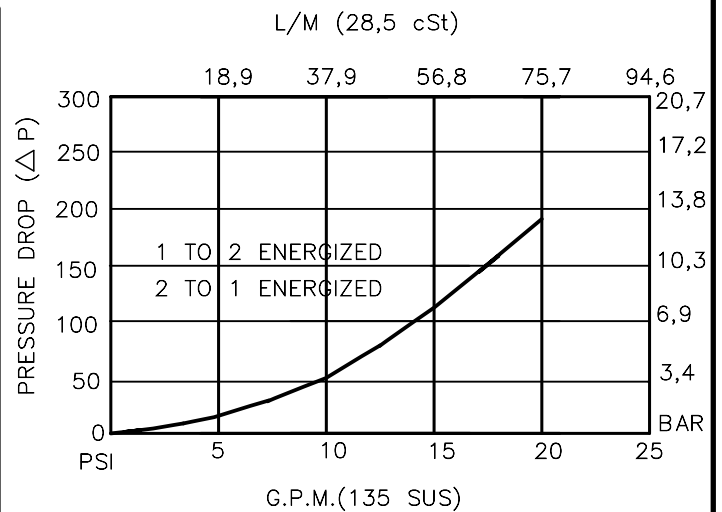
TYPE  
\*) C4 = NORMALLY CLOSED  
2-WAY, 2-POSITION

PORTS  
0 = CARTRIDGE ONLY  
06TX = SAE - #6  
08TX = SAE - #8  
02BX = 1/4" BSPP  
03BX = 3/8" BSPP

"A" - ALUM. HOUSING  
"S" - STEEL HOUSING

TERMINALS  
L = 18GA. 24" LEADS  
T = SPADE TERM.  
B = BOLT TERM.  
G = DIN43650  
W = WEATHER-PACK  
D = DEUTSCH-DT04-2P  
M = METRI-PACK CONN.

VOLTAGE	AMPS
12D = 12 VDC	3.00
24D = 24 VDC	1.50
36D = 36 VDC	1.00
48D = 48 VDC	0.75
110D = 110 VDC	0.33
115A = 115 VAC	0.32
230A = 230 VAC	0.16



\*) on request

**SOLENOID VALVE, NORMALLY CLOSED,  
PILOT OPERATED, POPPET TYPE (2/2)****DESCRIPTION**

This unit is a NORMALLY CLOSED, TWO POSITION, screw-in cartridge type, poppet type, pilot operated, solenoid operated, bidirectional, control valve.

**OPERATIONS**

When solenoid coil is de-energized, this valve allows no flow from ports 2 to 1 and free flow from ports 1 to 2. When solenoid coil is energized, the poppet in this valve is shifted and allows flow from ports 1 to 2 and 2 to 1.

**FEATURES AND BENEFITS**

Continuous-duty, very low heat rise & waterproof solenoid coil.  
Interchangeable solenoid coils & terminations options available.  
Hardened precision fitted poppet & sleeve provides reliable, long life.  
Very efficient, wet-armature solenoid core tube construction.  
All external carbon steel parts are plated for longer life against the elements.  
All cartridge valves are 100% functionally tested.  
Industry common cavity.

**SOLENOID VALVE, NORMALLY CLOSED,  
PILOT OPERATED, POPPET TYPE (2/2)****SPECIFICATIONS**

OPERATING PRESSURE: 5,000 PSI [350 Bar]  
PROOF PRESSURE: 10,000 PSI [700 Bar]  
FLOW: 20.0 GPM [75,7 l/m] See performance chart.  
INTERNAL LEAKAGE: 5 drops/min [0.25 cc/m] @ 5,000 PSI [350 Bar]  
VALVE HOUSINGS: 2500 PSI [175 Bar] = Aluminum – Anodized.  
5000 PSI [350 Bar] = Steel – Unplated.  
OIL TEMPERATURE: -40° to +175° F. [-40° to +80° C.]  
AMBIENT TEMPERATURE: -40° to +122° F. [-40° to +50° C.]  
Please consult factory for continuously energized or  
high ambient temperature application (>122° F [50°C])  
OPERATING MEDIA: All general purpose hydraulic fluids such as  
MIL-H-5606, SAE-#10, SAE-#20, etc.  
RESPONSE TIME: First indication of change in pressure with 100%  
voltage supplied @ 80% of nominal flow rating.  
\* Pull-in: 50 ms  
\* Drop-Out: 50 ms  
SEAL KIT: SKN-1022 Buna "N"  
SKV-1022 Viton  
INSTALLATION: No restrictions.  
WEIGHT: 1.80 lb [0,82 kg] cartridge with coil only.  
VALVE CAVITY: #C1020, See Page 0-012.0.

[info.el@bucherhydraulics.com](mailto:info.el@bucherhydraulics.com)

[www.bucherhydraulics.com/commoncavity](http://www.bucherhydraulics.com/commoncavity)

© 2015 by Bucher Hydraulics, Inc., 2545 Northwest Parkway, Elgin, Illinois 60124, USA

All rights reserved.

The technical information in this catalog, may contain calculated figures (for reference only) and not actual performance data for this product. Data is provided for the purpose of product description only, and must not be construed as warranted characteristics in the legal sense. The information does not relieve users from the duty of conducting their own evaluations and tests. Because the products are subject to continual improvement, we reserve the right to amend the product specifications contained in this catalogue.