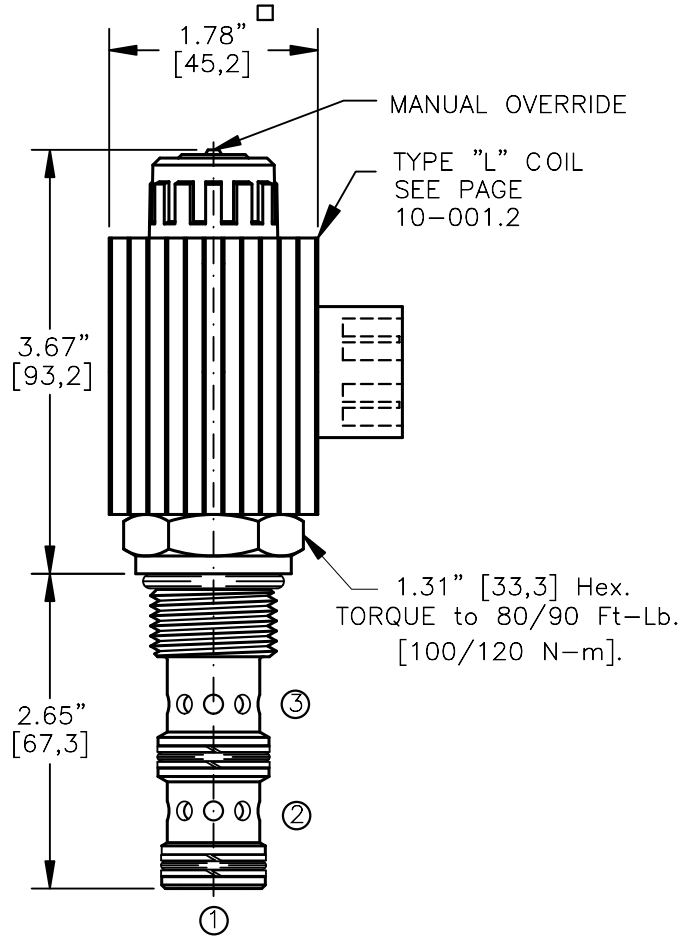
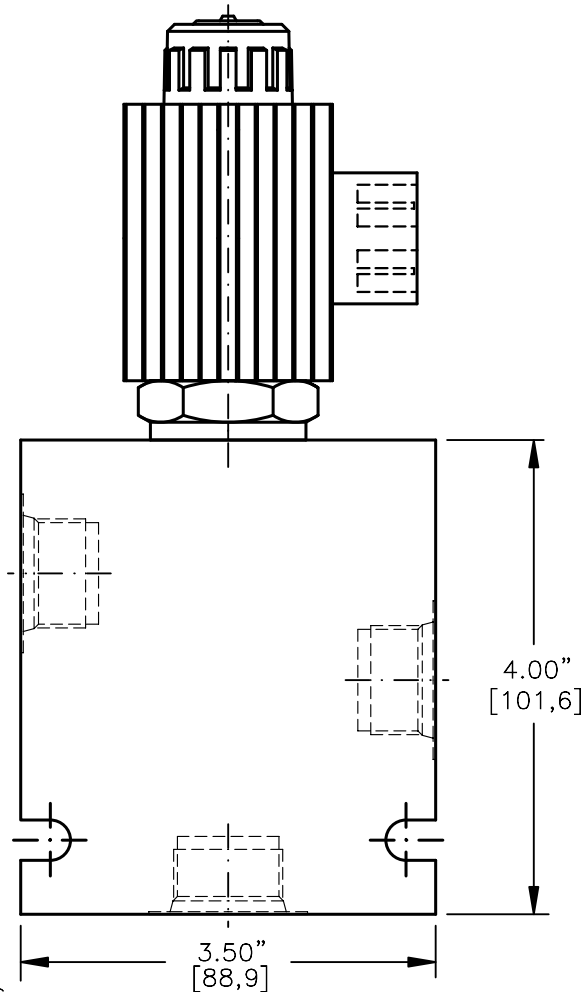
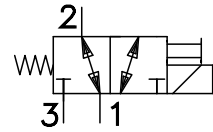


SOLENOID VALVE, 3-WAY, 2-POSITION
DIRECT ACTING, SPOOL TYPE (3/2)



NOTES:

1. FOR ALUMINUM OR STEEL VALVE HOUSING CONFIGURATIONS SEE PAGE 0-033.1
2. SOLENOIDS AVAILABLE WITH DIODES - CONSULT FACTORY.
3. ALL A.C. COILS ARE INTERNALLY A.C. TO D.C. RECTIFIED.
4. FOR SOFT SHIFT SOLENOID VALVE SEE PAGE 10-002.0

EMDV-12-X-3C-X-XXX X

BASIC

SIZE
12 = 1.062"-12UNF

SEALS
N = BUNA "N"
V = VITON

TYPE
3C = "C" SPOOL
3-WAY, 2-POSITION

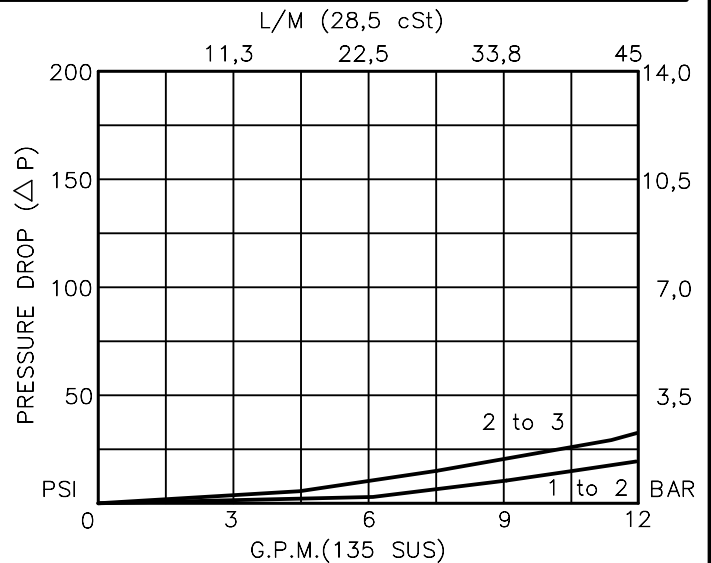
PORTS
0 = CARTRIDGE ONLY
04BX = G 1/2" BSPP
06BX = G 3/4" BSPP
10TX = SAE - #10
12TX = SAE - #12

"A" = ALUM. HOUSING
"S" = STEEL HOUSING

TERMINALS

L = 18GA. 24" LEADS
T = SPADE TERM.
B = BOLT TERM.
G = DIN43650
W = WEATHER-PACK
D = DEUTSCH-DT04-2P
M = METRI-PACK CONN.

VOLTAGE	AMPS
12D = 12 VDC	3.00
24D = 24 VDC	1.50
36D = 36 VDC	1.00
48D = 48 VDC	0.75
110D = 110 VDC	0.33
115A = 115 VAC	0.32
230A = 230 VAC	0.16



**SOLENOID VALVE 3-WAY, 2-POSITION,
DIRECT ACTING, SPOOL TYPE (3/2)****DESCRIPTION**

This unit is a THREE-WAY, TWO POSITION, cartridge type, spool type, direct acting, screw in type, solenoid operated, directional control valve.

OPERATIONS

When solenoid coil is de-energized, this valve allows flow between ports 1 and 2 and port 3 is blocked. When solenoid coil is energized, the spool in this valve is shifted and allows flow between ports 2 and 3 and port 1 is blocked. The valve shifts in an open position. Manual Operator Standard: Push in and hold a small plunger on top of the valve with a screw driver or a similar plunger smaller than .188" dia.

FEATURES AND BENEFITS

Continuous-duty, very low heat rise & waterproof solenoid coil. Interchangeable solenoid coils & terminations options available. Hardened precision fitted spool & sleeve provides reliable, long life. Very efficient, wet-armature solenoid core tube construction. All external carbon steel parts are plated for longer life against the elements. All cartridge valves are 100% functionally tested.

**SOLENOID VALVE 3-WAY, 2-POSITION,
DIRECT ACTING, SPOOL TYPE (3/2)****SPECIFICATIONS**

OPERATING PRESSURE: 5,000 PSI [350 Bar]

PROOF PRESSURE: 10,000 PSI [700 Bar]

FLOW: 12.0 GPM [46 l/m] See performance chart.

INTERNAL LEAKAGE: 5 cu.in/min [82 cc/m] @ 5,000 PSI [350 Bar]

VALVE HOUSINGS: 2500 PSI [175 Bar] = Aluminum – Anodized.

5000 PSI [350 Bar] = Steel – Unplated.

OIL TEMPERATURE: -40° to +175° F. [-40° to +80° C.]

AMBIENT TEMPERATURE: -40° to +122° F. [-40° to +50° C.]

Please consult factory for continuously energized or
high ambient temperature application (>122° F [50°C])

OPERATING MEDIA: All general purpose hydraulic fluids such as
MIL-H-5606, SAE-#10, SAE-#20, etc.

RESPONSE TIME: First indication of change in pressure with 100%
voltage supplied @ 80% of nominal flow rating.

* Pull-in: 50 ms

* Drop-Out: 50 ms

SEAL KIT: SKN-1232 Buna "N"

SKV-1232 Viton

INSTALLATION: No restrictions.

WEIGHT: 2.06 lb [.94 kg] cartridge with coil only.

VALVE CAVITY: #C1230, See Page 0-033.0.