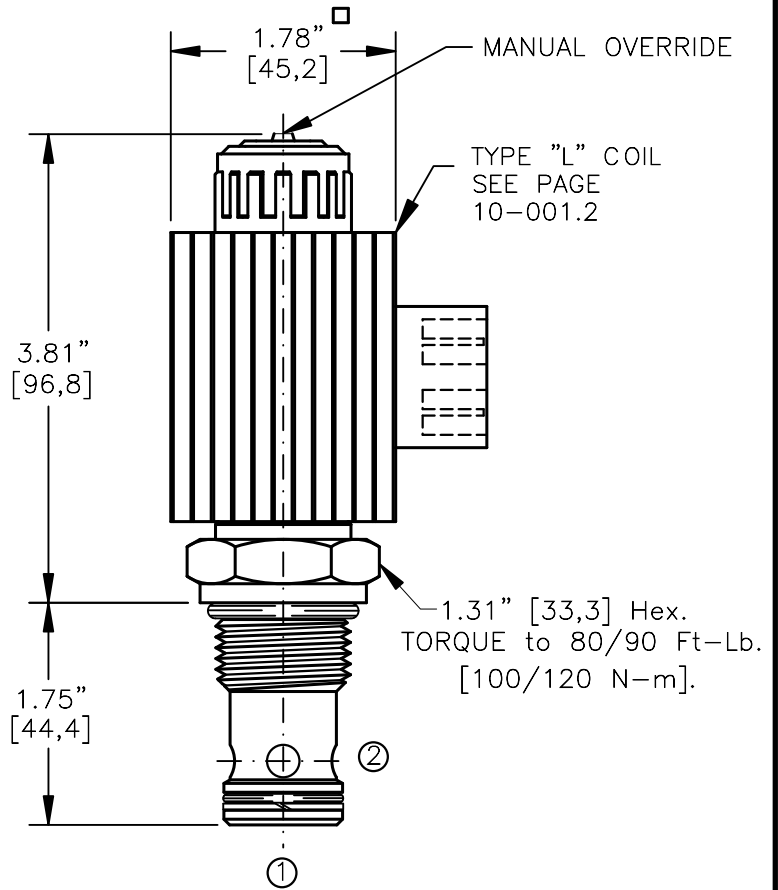
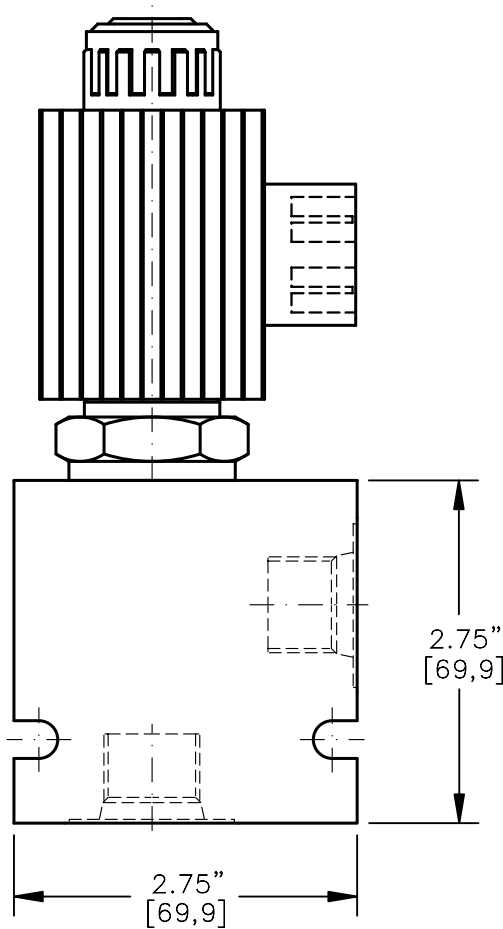
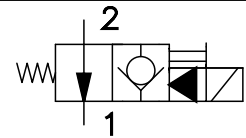


SOLENOID VALVE, NORMALLY OPEN.
PILOT OPERATED, POPPET TYPE (2/2)



NOTES:

1. FOR ALUMINUM OR STEEL VALVE HOUSING CONFIGURATIONS SEE PAGE 0-013.1
2. SOLENOIDS AVAILABLE WITH DIODES - CONSULT FACTORY.
3. ALL A.C. COILS ARE INTERNALLY A.C. TO D.C. RECTIFIED.
4. FOR SOFT SHIFT SOLENOID VALVE SEE PAGE 10-002.0

EMDV-12-X-O2-X-XXX X

BASIC

SIZE
12 = 1.062"-12UNF

SEALS

N = BUNA "N"
V = VITON

TYPE

O2=NORMALLY OPEN POPPET
2-WAY, 2-POSITION

PORTS

0 = CARTRIDGE ONLY
04BX = G 1/2" BSPP
06BX = G 3/4" BSPP
10TX = SAE - #10
12TX = SAE - #12

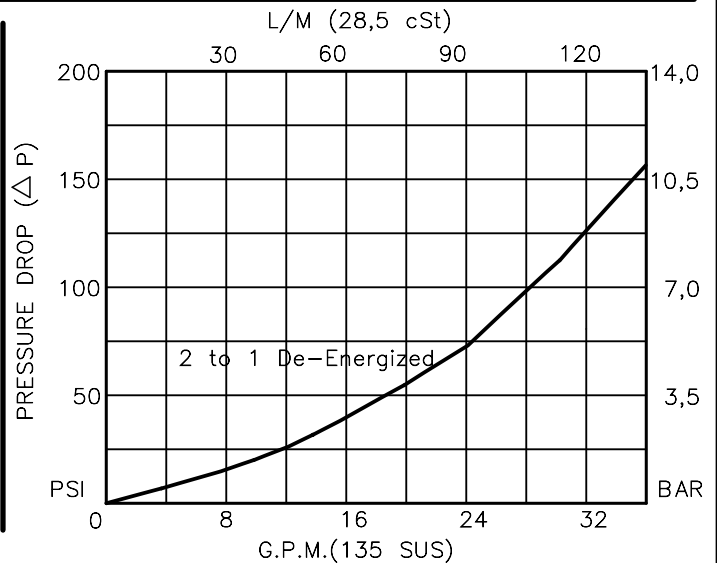
"A" = ALUM. HOUSING
"S" = STEEL HOUSING

TERMINALS

L=18GA. 24" LEADS
T=SPADE TERM.
B=BOLT TERM.
G=DIN43650
W=WEATHER-PACK
D=DEUTSCH-DT04-2P
M=METRI-PACK CONN.

VOLTAGE AMPS

12D = 12 VDC 3.00
24D = 24 VDC 1.50
36D = 36 VDC 1.00
48D = 48 VDC 0.75
110D = 110 VDC 0.33
115A = 115 VAC 0.32
230A = 230 VAC 0.16



**SOLENOID VALVE, NORMALLY OPEN,
PILOT OPERATED, POPPET TYPE (2/2)****DESCRIPTION**

This unit is a NORMALLY OPEN, TWO POSITION, cartridge type, poppet type, pilot operated, screw in type, solenoid operated, directional control valve.

OPERATIONS

When solenoid coil is de-energized, this valve allows flow from ports 2 to 1 and restricted flow from ports 1 to 2.

When solenoid coil is energized, the poppet in this valve is shifted and allows no flow from ports 2 to 1 and reverse flow from ports 1 to 2 at high pressure drop.

Manual Operator Standard: Push in and hold a small plunger on top of the valve with a screw driver or a similar plunger smaller than .188" dia.

FEATURES AND BENEFITS

Continuous-duty, very low heat rise & waterproof solenoid coil.

Interchangeable solenoid coils & terminations options available.

Hardened precision fitted poppet & sleeve provides reliable, long life.

Very efficient, wet-armature solenoid core tube construction.

All external carbon steel parts are plated for longer life against the elements.

All cartridge valves are 100% functionally tested.

**SOLENOID VALVE, NORMALLY OPEN,
PILOT OPERATED, POPPET TYPE (2/2)**

SPECIFICATIONS

OPERATING PRESSURE: 5,000 PSI [350 Bar]

PROOF PRESSURE: 10,000 PSI [700 Bar]

FLOW: 36.0 GPM [136 l/m] See performance chart.

INTERNAL LEAKAGE: 5 cu. in./min [68 cc/m] energized @5000 PSI[350 Bar]

VALVE HOUSINGS: 2500 PSI [175 Bar] = Aluminum – Anodized.

5000 PSI [350 Bar] = Steel – Unplated.

OIL TEMPERATURE: -40° to +175° F. [-40° to +80° C.]

AMBIENT TEMPERATURE: -40° to +122° F. [-40° to +50° C.]

Please consult factory for continuously energized or
high ambient temperature application (>122° F [50°C])

OPERATING MEDIA: All general purpose hydraulic fluids such as

MIL-H-5606, SAE-#10, SAE-#20, etc.

RESPONSE TIME: First indication of change in pressure with 100%
voltage supplied @ 80% of nominal flow rating.

* Pull-in: 50 ms

* Drop-Out: 50 ms

SEAL KIT: SKN-1221 Buna "N"

SKV-1221 Viton

INSTALLATION: No restrictions.

WEIGHT: 1.98 lb [0,90 kg] cartridge with coil only.

VALVE CAVITY: #C1220, See Page 0-013.0.