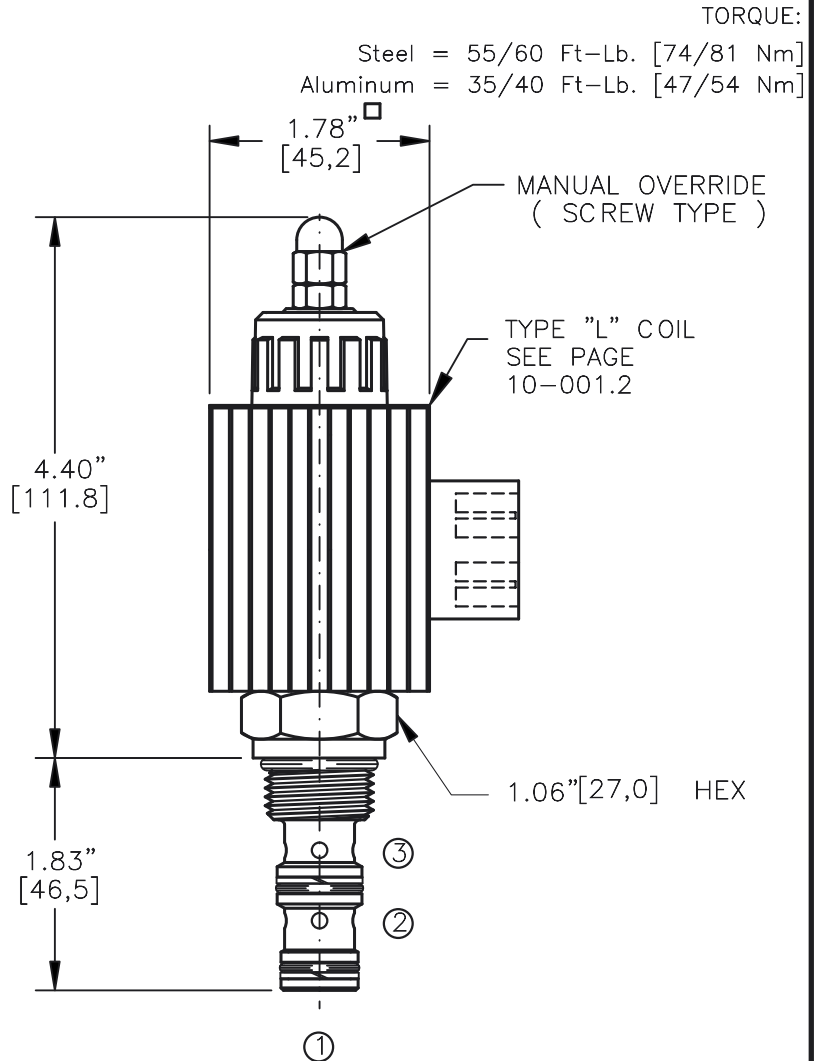
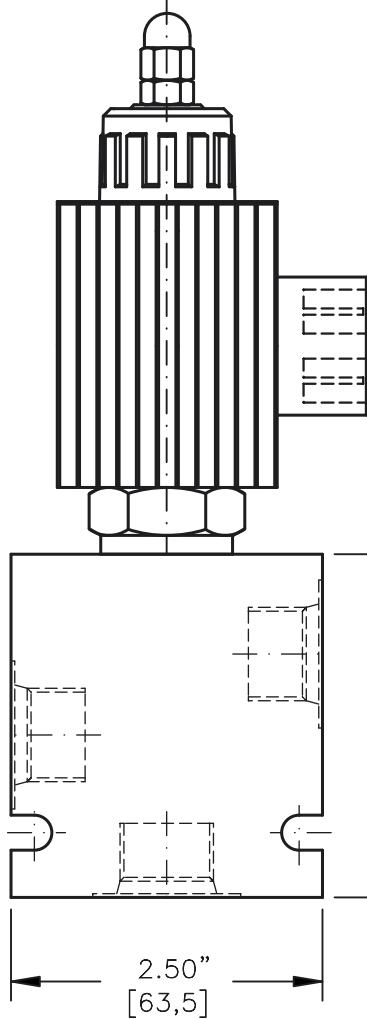
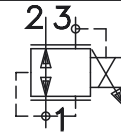


PROPORTIONAL PRESSURE REDUCING/
RELIEVING. DIRECT ACTING, SPOOL TYPE.



TORQUE:

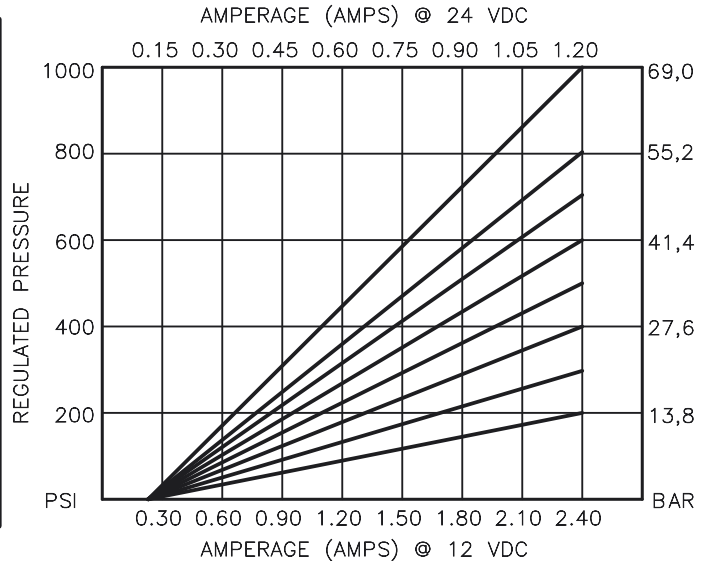
Steel = 55/60 Ft-Lb. [74/81 Nm]
Aluminum = 35/40 Ft-Lb. [47/54 Nm]

NOTES:

1. FOR ALUMINUM OR STEEL VALVE HOUSING CONFIGURATIONS SEE PAGE 0-032.1
2. SOLENOIDS AVAILABLE WITH DIODES - CONSULT FACTORY.

EPRR-10-X-XX-X-X-XXX X

BASIC	TERMINALS
SIZE	L = 18GA. 24" LEADS
10 = 7/8"-14UNF	T = SPADE TERM.
SEALS	B = BOLT TERM.
N = BUNA "N"	G = DIN43650
V = VITON	W = WEATHER-PACK
REGULATED PRESSURE	D = DEUTSCH-DT04-2P
02 = 0 TO 200 PSI	M = METRI-PACK CONN.
03 = 0 TO 300 PSI	VOLTAGE AMPS
04 = 0 TO 400 PSI	12D = 12 VDC 3.00
05 = 0 TO 500 PSI	24D = 24 VDC 1.50
06 = 0 TO 600 PSI	ADJUSTMENT OPTIONS
07 = 0 TO 700 PSI	M = MANUAL OVERRIDE
08 = 0 TO 800 PSI	PORTS = CARTRIDGE ONLY
10 = 0 TO 1000 PSI	0 = G 1/4" BSPP
	02BX = G 3/8" BSPP
	03BX = SAE - #6
	06TX = SAE - #8
	08TX "A" = ALUM. HOUSING
	"S" = STEEL HOUSING



ELECTRO-HYDRAULIC, PROPORTIONAL, PRESSURE REDUCING/RELIEVING VALVE.

DESCRIPTION

This unit is a electro-hydraulic, proportional, screw in cartridge style, direct acting, spool type, pressure reducing/relieving flow pressure control valve.

OPERATIONS

When the coil is de-energized, this valve allows no flow or pressure from port 2 to 1 and port 1 is open to (tank) port 3.

When the coil is energized, the spool in this valve shifts and allows flow and pressure between ports 2 and 1 and blocks port 3 (tank).

When the coil is energized the armature moves a precision bias spring against the metering spool thus varying the pressure at port 1 (Reg.) proportional to the current input. When the current is increased to the coil the pressure will increase and when decreased it will decrease.

IN THE EVENT OF POWER FAILURE THE VALVE WILL REDUCE REGULATED PRESSURE AT PORT 1 TO ZERO.

FEATURES AND BENEFITS

Continuous-duty, very low heat rise & waterproof solenoid coil.

Interchangeable solenoid coils & terminations options available.

Hardened precision fitted spool & sleeve provides reliable, long life.

Very efficient wet - armature solenoid core tube construction.

All external carbon steel parts are plated for longer life against the elements.

All cartridge valves are 100% functionally tested.

Industry common cavity.

**ELECTRO-HYDRAULIC, PROPORTIONAL,
PRESSURE REDUCING/RELIEVING VALVE.****SPECIFICATIONS**

OPERATING PRESSURE: 5,000 PSI [350 Bar]

PROOF PRESSURE: 10,000 PSI [700 Bar]

REGULATED PRESSURE: 0 to 1,000 PSI [0 to 69,0 Bar] See performance chart

FLOW: 1.0 GPM (3.8 l/m) nominal

INTERNAL LEAKAGE: 10 cu.in/min [164 cc/m] @ 5,000 PSI [350 Bar]

VALVE HOUSINGS: 2500 PSI [175 Bar] = Aluminum - Anodized.

5000 PSI [350 Bar] = Steel - Unplated.

OPERATING TEMPERATURE: -40° to +250° F. [-40° to +120° C.]

OPERATING MEDIA: All general purpose hydraulic fluids such as
MIL-H-5606, SAE-#10, SAE-#20, etc.

RESPONSE: The most efficient method to control this valve is with
current control and a 50 Hz dither.

POWER REQUIREMENTS: 12 VDC, Operating current 0.2 to 2.4 AMPS.

24 VDC, Operating current 0.1 to 1.2 AMPS.

SEAL KIT: SKN-1031 Buna "N"

SKV-1031 Viton

INSTALLATION: No restrictions.

WEIGHT: 1.95 lb [.88 kg] cartridge with coil only.

VALVE CAVITY: #C1030, See Page 0-032.0.

info.el@bucherhydraulics.com

www.bucherhydraulics.com/commoncavity

© 2015 by Bucher Hydraulics, Inc., 2545 Northwest Parkway, Elgin, Illinois 60124, USA

All rights reserved.

The technical information in this catalog, may contain calculated figures (for reference only) and not actual performance data for this product.

Data is provided for the purpose of product description only, and must not be construed as warranted characteristics in the legal sense.

The information does not relieve users from the duty of conducting their own evaluations and tests. Because the products are subject to continual improvement, we reserve the right to amend the product specifications contained in this catalogue.