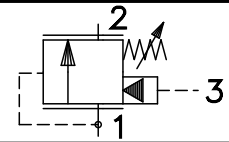
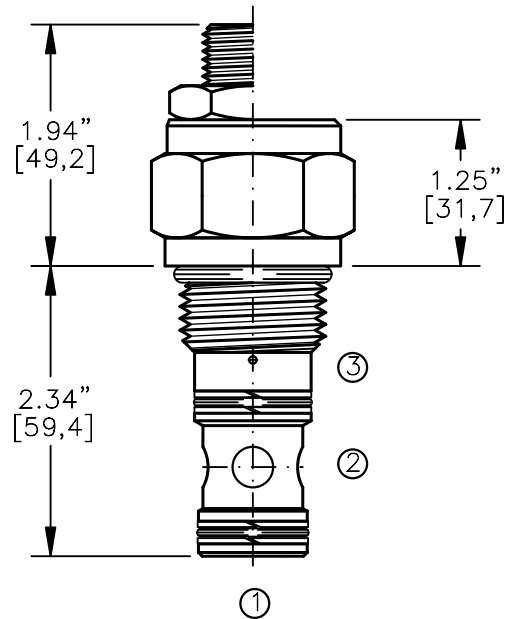
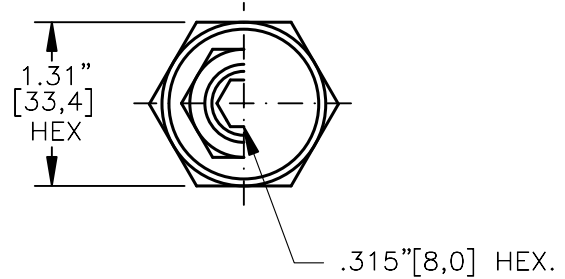
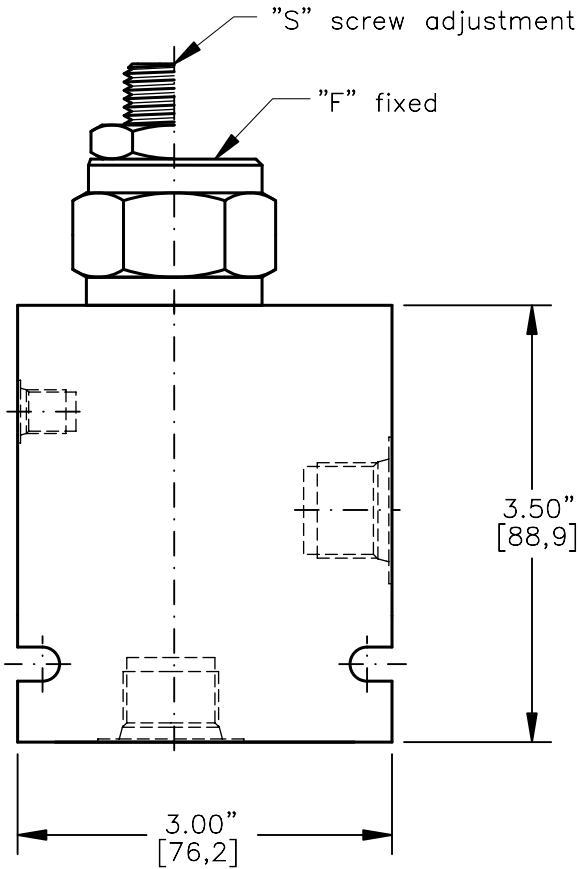


LOGIC CONTROL ELEMENT
SPOOL TYPE, PILOT TO CLOSE, SPOOL "A".



TORQUE:

Steel = 70/75 Ft-Lb. [95/102 Nm]
Aluminum = 55/60 Ft-Lb. [74/81 Nm]



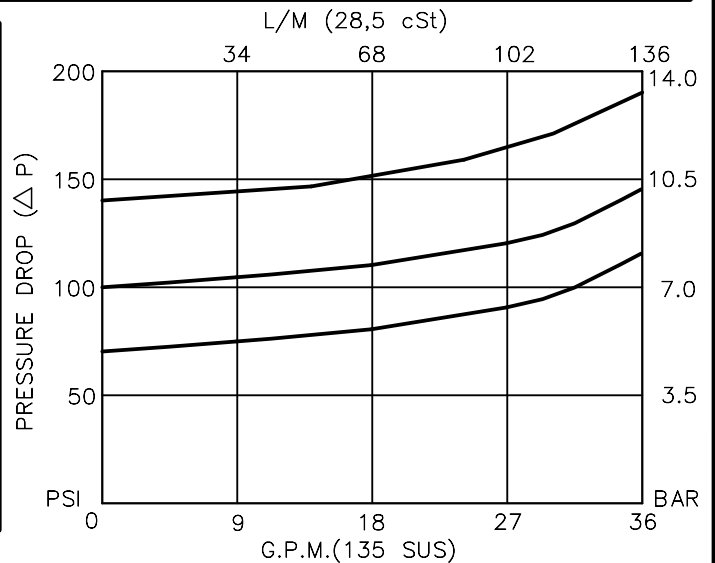
FOR ALUMINUM OR STEEL VALVE HOUSING CONFIGURATIONS SEE PAGE 0-023-1.

LCEF-12-X-A-X-X-XXX

- BASIC
- SIZE
12 = 1.062"-12 UNF
- SEALS
N = BUNA "N"
V = VITON
- SPOOL
"A"=SPOOL (PILOT TO CLOSE)
- ADJUSTMENT
F = FIXED (FACTORY SET)
S = ADJUSTING SCREW
C = CAPPED
T = TAMPERPROOF

- PRESSURE BIAS SPRING
070 = 70 PSI (FIXED)
100 = 100 PSI (FIXED)
160 = 40-160 PSI (ADJ)
- PORTS
0 = CARTRIDGE ONLY
04BX = G 1/2" BSPP
06BX = G 3/4" BSPP
10TX = SAE - #10
12TX = SAE - #12
- "A" - ALUM. HOUSING
"S" - STEEL HOUSING

FOR ADJUSTMENT CONTROL
OPTIONS SEE PAGE 0-050.0



LOGIC CONTROL ELEMENT SPOOL TYPE, PILOT TO CLOSE, SPOOL "A".

DESCRIPTION

This unit is a DIRECT ACTING, SCREW IN CARTRIDGE STYLE, SPOOL TYPE, HYDRAULIC DIRECTIONAL LOGIC ELEMENT, with multi-functional potential when used with other directional, pressure or flow control devices.

OPERATIONS

This valve blocks flow from port 1 to port 2 with a spring bias. It will shift to allow full flow from port 1 to port 2 only when the pressure in port 1 exceeds the cumulative pressure of port 3 plus the bias spring force value.

When no pressure is present at port 3, it will allow flow from port 1 to port 2 once the bias spring force is overcome by the pressure in port 1. This is pilot to close directional logic element.

FEATURES AND BENEFITS

Leakproof screw adjustment.

This valve has a fixed or an adjustable bias spring.

Adjustment screw can not be backed out of the valve.

Overset protection – spring can not go solid.

Hardened precision fitted spool & cage provides reliable, long life.

A unibody cage construction provides very low hysteresis and reliable operation.

All external carbon steel parts are plated for longer life against the elements.

Valve is available with fixed, screw, tamperproof and capped adjustments.

All cartridge valves are 100% functionally tested.

LOGIC CONTROL ELEMENT
SPOOL TYPE, PILOT TO CLOSE, SPOOL "A".

SPECIFICATIONS

OPERATING PRESSURE: 5,000 PSI [350 Bar]

PROOF PRESSURE: 10,000 PSI [700 Bar]

FLOW: 36.0 GPM [136 L/M] nominal. See performance chart.

INTERNAL LEAKAGE: 5 cu.in./min. [85 cc/m] @ 85% of crack pressure.

DEFINITION OF CRACK: evident at 0.06 GPM [0.25 LPM]

VALVE HOUSINGS: 2500 PSI [175 Bar] = Aluminum – Anodized.

5000 PSI [350 Bar] = Steel – Unplated.

OPERATING TEMPERATURE: -40° to +250° F. [-40° to +120° C.]

OPERATING MEDIA: All general purpose hydraulic fluids such as
MIL-H-5606, SAE-#10, SAE-#20, etc.

INSTALLATION: No restriction.

FILTRATION: 25 microns or better.

SEAL KIT NUMBER: SKN-1227 for Buna "N".

SKV-1227 for Viton.

WEIGHT: 0.84 lb [.38 kg] cartridge only.

VALVE CAVITY: #C1225, See Page 0-023.0.

info.el@bucherhydraulics.com

www.bucherhydraulics.com/commoncavity

© 2015 by Bucher Hydraulics, Inc., 2545 Northwest Parkway, Elgin, Illinois 60124, USA

All rights reserved.

Data is provided for the purpose of product description only, and must not be construed as warranted characteristics in the legal sense. The information does not relieve users from the duty of conducting their own evaluations and tests. Because the products are subject to continual improvement, we reserve the right to amend the product specifications contained in this catalogue.