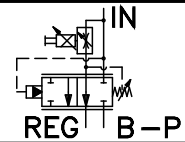
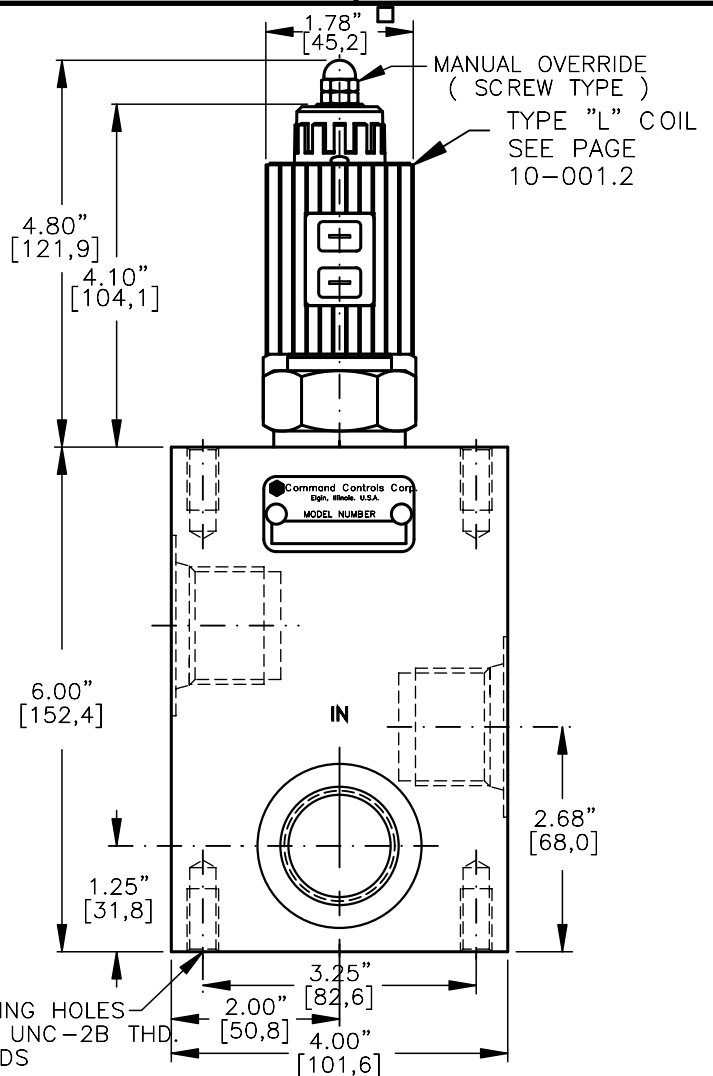
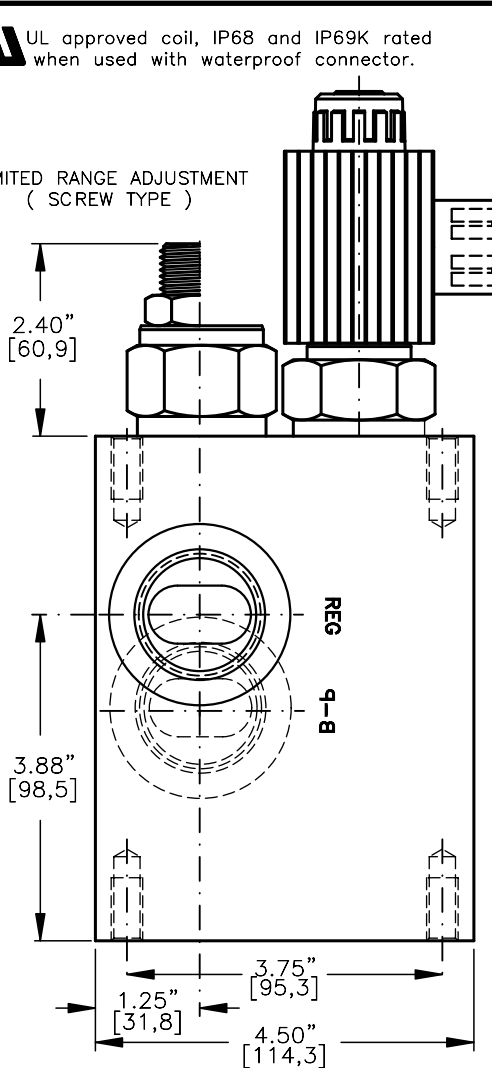


PRESSURE COMPENSATED, NORMALLY CLOSED OR NORMALLY OPEN PROPORTIONAL, PRIORITY FLOW CONTROL VALVE.



UL approved coil, IP68 and IP69K rated when used with waterproof connector.

LIMITED RANGE ADJUSTMENT (SCREW TYPE)



4 MOUNTING HOLES
3/8"-16 UNC-2B THD.
BOTH ENDS

NOTES:

1. SOLENOIDS AVAILABLE WITH DIODES - CONSULT FACTORY.

PBFC-16-X-X-XX-X-X-X-XXX-XXX X

BASIC

SIZE

16= 1.312"-12UNF

SEALS

N = BUNA "N"
V = VITON

STYLE

C = NORMALLY CLOSED
O = NORMALLY OPEN

REGULATED FLOW

06 = 0 TO 6.0 GPM
12 = 0 TO 12.0 GPM
18 = 0 TO 18.0 GPM
24 = 0 TO 24.0 GPM
30 = 0 TO 30.0 GPM
36 = 0 TO 36.0 GPM

TERMINALS

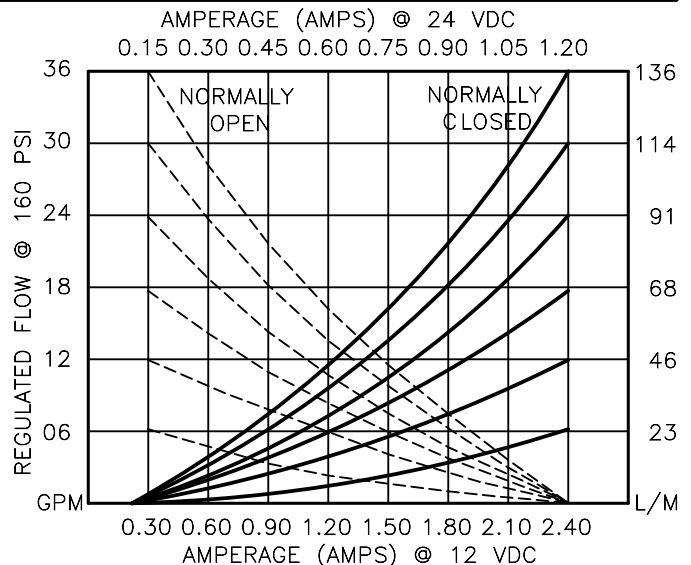
L = 18GA. 24" LEADS
T = SPADE TERM.
B = BOLT TERM.
G = DIN43650
W = WEATHER-PACK
D = DEUTSCH-DT04-2P
M = METRI-PACK CONN.
VOLTAGE AMPS
12D = 12 VDC 3.00
24D = 24 VDC 1.50

ADJUSTMENT OPTIONS

O-F-100 = NONE
M-F-100 = MANUAL OVERRIDE
O-S-180 = LIMITED RANGE ADJ.
M-S-180 = BOTH MO/LTD ADJ.

PORTS

16TX = SAE - #16
"A" = ALUM. HOUSING
"S" = STEEL HOUSING



PRESSURE COMPENSATED, PROPORTIONAL, PRIORITY FLOW CONTROL VALVE.**DESCRIPTION**

This valve is an electro-hydraulic, proportional, priority (By-Pass) type, pressure compensated, hydraulic flow control. Regulated flow normally closed 0 to 36.0 GPM [0 to 136,8 L/M] or normally open 36.0 to 0 GPM [136,8 to 0 L/M] @ 160 PSI DELTA P. is proportional to the current input regardless of load or system pressure. After the priority flow is satisfied the excess flow is diverted to a secondary circuit or to tank. Maximum inlet flow is 50.0 GPM [190,0 L/M].

OPERATIONS

This unit is a direct acting (NO PILOT FLOW), electro-hydraulic, proportional, pressure compensated, flow control valve. When the coil is energized the armature moves the metering orifice open or closed against a precision bias spring varying the flow. A pressure compensator spool (HYDROSTAT) modulates the flow at 160 PSI/11,0 Bar delta "P" providing pressure. When current is increased or decreased to the coil; the flow will increase or decrease proportionally.

IN THE EVENT OF POWER FAILURE THE VALVE WILL CLOSE OR OPEN RESPECTIVELY.

FEATURES AND BENEFITS

Continuous-duty, very low heat rise & waterproof solenoid coil.

Interchangeable solenoid coils & terminations options available.

Hardened precision fitted spool & sleeve provides reliable, long life.

Very efficient wet - armature solenoid core tube construction.

All external carbon steel parts are plated for longer life against the elements.

All valves are 100% functionally tested.

PRESSURE COMPENSATED, PROPORTIONAL, PRIORITY FLOW CONTROL VALVE.**SPECIFICATIONS**

OPERATING PRESSURE: 5,000 PSI [350 Bar]

PROOF PRESSURE: 10,000 PSI [700 Bar]

REGULATED FLOW: 36.0 GPM [136,8 l/m] Max. See performance chart.

INTERNAL LEAKAGE: 40 cu.in/min [660 cc/m] @ 5,000 PSI [350 Bar]

VALVE HOUSINGS: 2500 PSI [175 Bar] = Aluminum – Anodized.

5000 PSI [350 Bar] = Steel – Unplated.

OPERATING TEMPERATURE: -40° to +250° F. [-40° to +120° C.]

OPERATING MEDIA: All general purpose hydraulic fluids such as

MIL-H-5606, SAE-#10, SAE-#20, etc.

RESPONSE: The most efficient method to control this valve is with
current control and a 50 Hz dither.

POWER REQUIREMENTS: 12 VDC, Operating current 0.4 to 2.4 AMPS.

24 VDC, Operating current 0.2 to 1.2 AMPS.

SEAL KIT: Buna "N": SKN-1622, SKN-1642

VITON: SKV-1622, SKV-1642

INSTALLATION: No restrictions.

WEIGHT: 6.78 lbs [2,54 kg] aluminum body.

9.89 lbs [4,50 kg] steel body.

info.el@bucherhydraulics.com

www.bucherhydraulics.com/commoncavity

© 2015 by Bucher Hydraulics, Inc., 2545 Northwest Parkway, Elgin, Illinois 60124, USA

All rights reserved.

The technical information in this catalog, may contain calculated figures (for reference only) and not actual performance data for this product.

Data is provided for the purpose of product description only, and must not be construed as warranted characteristics in the legal sense.

The information does not relieve users from the duty of conducting their own evaluations and tests. Because the products are subject to continual improvement, we reserve the right to amend the product specifications contained in this catalogue.