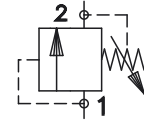


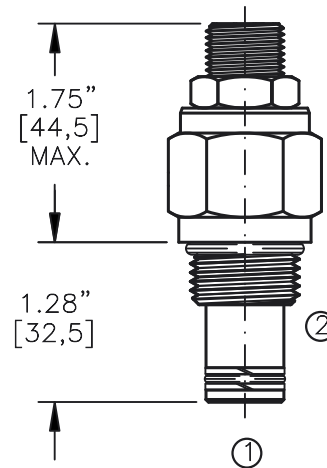
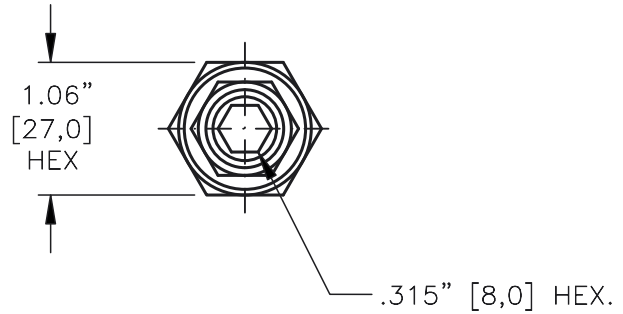
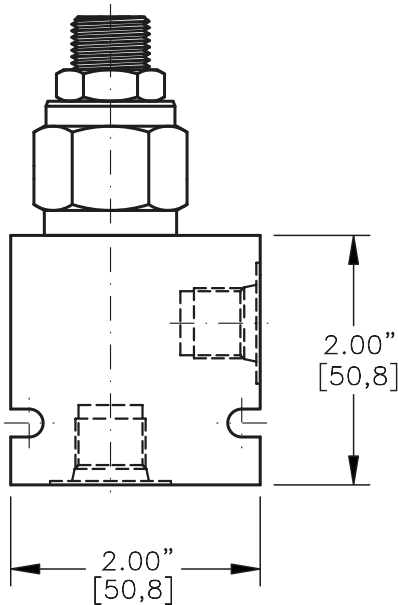
RELIEF VALVE DIRECT ACTING,  
LOW FLOW, PILOT CONTROL



Pat.#5,546,980

TORQUE:

Steel = 55/60 Ft-Lb. [74/81 Nm]  
Aluminum = 35/40 Ft-Lb. [47/54 Nm]



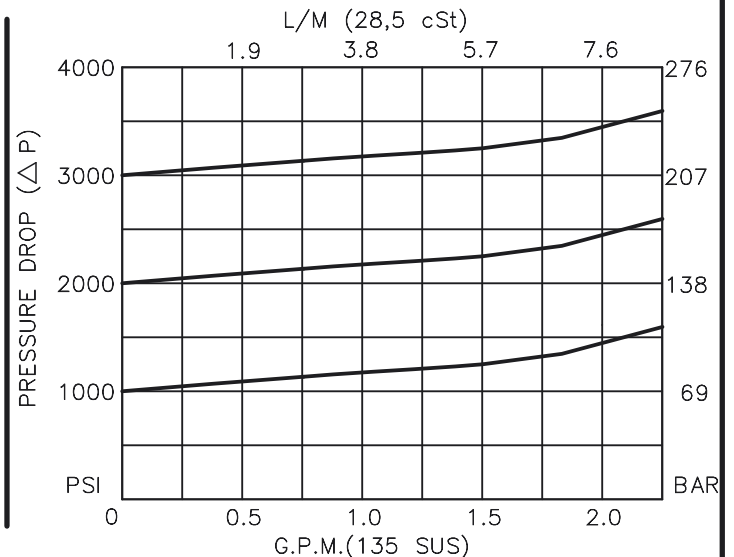
FOR ALUMINUM OR STEEL VALVE HOUSING CONFIGURATIONS SEE PAGE 0-012.1

**RVPD-10-X-X-X-XX**

- BASIC \_\_\_\_\_
- SIZE \_\_\_\_\_
- 10 = 7/8"-14 UNF
- SEALS \_\_\_\_\_
- N = BUNA "N"
- V = VITON
- ADJUSTMENT \_\_\_\_\_
- S = ADJUSTING SCREW
- C = CAPPED
- T = TAMPERPROOF
- K = HANDKNOB
- M = METAL HANDKNOB

- PRESSURE RANGE
- 15 = 0 TO 1500 PSI
- 30 = 0 TO 3000 PSI
- 50 = 0 TO 5000 PSI
- PORTS
- 0 = CARTRIDGE ONLY
- 02BX = G 1/4" BSPP
- 03BX = G 3/8" BSPP
- 06TX = SAE - #6
- 08TX = SAE - #8
- "A" - ALUM. HOUSING
- "S" - STEEL HOUSING

FOR ADJUSTMENT CONTROL  
OPTIONS SEE PAGE 0-050.0



**RELIEF VALVE DIRECT ACTING,  
LOW FLOW, PILOT CONTROL.****DESCRIPTION**

This unit is a DIRECT ACTING, REMOTE CONTROL FOR VALVES WITH LOW PILOT FLOW, cartridge type, steel ball, low leakage, screw in type, adjustable, pressure control valve.

**OPERATIONS**

This valve (RVPD) blocks flow from port #1 to port #2 until sufficient pressure is present at port #1 to force the steel ball from its seat thus opening the valve.

This cartridge relief valve offers a smooth transition in response to a load change in a hydraulic circuit.

**FEATURES AND BENEFITS**

Leakproof screw adjustment.

Pressure in tank port (2) will add to the bias spring setting, and is limited to 2000 PSI.

Adjustment screw can not be backed out of valve.

Overset protection – spring can not go solid.

Hardened precision steel ball & seat provides reliable, long life.

A unique self aligning (floating) cage provides very low hysteresis and reliable operation.

All external carbon steel parts are plated for longer life against the elements. Valve is available with screw, tamperproof, capped and handknob adjustments.

All cartridge valves are 100% functionally tested.

Industry common cavity.

**SPECIFICATIONS**

OPERATING PRESSURE: 5,000 PSI [350 Bar]

PROOF PRESSURE: 10,000 PSI [700 Bar]

FLOW: 2.0 GPM [7.6 L/M] nominal. See performance chart.

INTERNAL LEAKAGE: 5 drops/min [.25 cc/m] @ 85% of crack pressure.

DEFINITION OF CRACK: evident at 0.06 GPM [0.25 LPM]

VALVE HOUSINGS: 2500 PSI [175 Bar] = Aluminum – Anodized.

5000 PSI [350 Bar] = Steel – Unplated.

OPERATING TEMPERATURE: -40° to +250° F. [-40° to +120° C.]

OPERATING MEDIA: All general purpose hydraulic fluids such as

MIL-H-5606, SAE-#10, SAE-#20, etc.

INSTALLATION: No restriction.

FILTRATION: 25 microns or better.

SEAL KIT NUMBER: SKN-1022 for Buna "N".

SKV-1022 for Viton.

WEIGHT: 0.38 lb [.17 kg] cartridge only.

VALVE CAVITY: #C1020, See Page 0-012.0.

info.el@bucherhydraulics.com

www.bucherhydraulics.com/commoncavity

© 2015 by Bucher Hydraulics, Inc., 2545 Northwest Parkway, Elgin, Illinois 60124, USA

All rights reserved.

Data is provided for the purpose of product description only, and must not be construed as warranted characteristics in the legal sense. The information does not relieve users from the duty of conducting their own evaluations and tests. Because the products are subject to continual improvement, we reserve the right to amend the product specifications contained in this catalogue.