



Bimetal Thermometer

Model No. BMT

Case & Stem: 304 Stainless Steel

Window: Instrument Glass (Acrylic Optional)

Connections are all 1/2" NPT

External Zero Adjustment

Dial Sizes Available: 3" or 5"

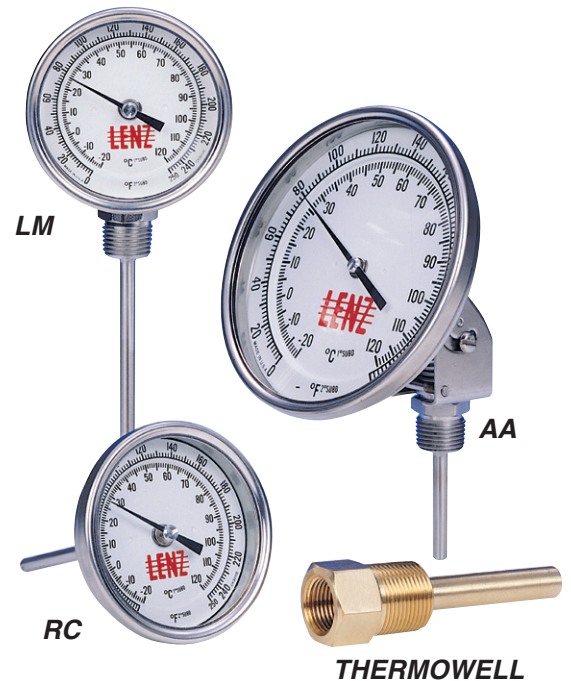
Optional: Temperature Ratings up to 750° Fahrenheit

Optional: Silicone Liquid Filling. Standard Stem Lengths up to 24" and custom lengths up to 72".

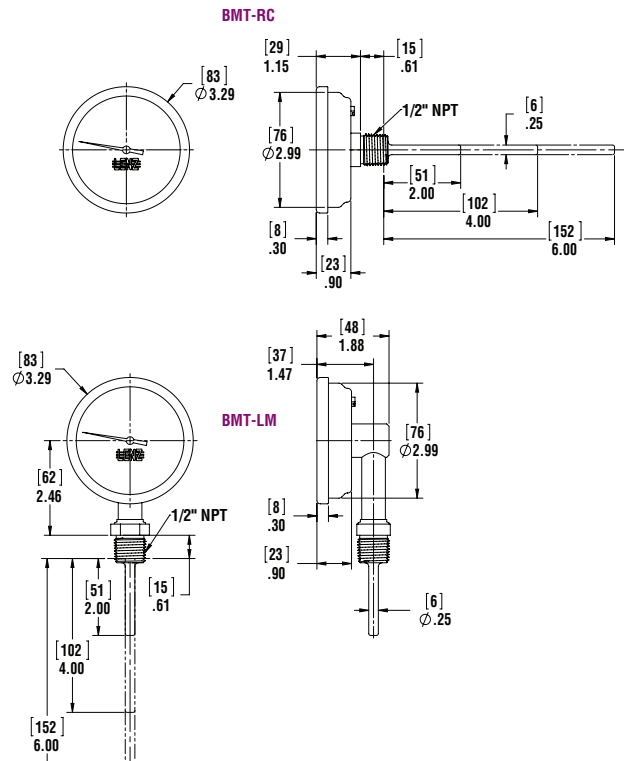
Stem lengths are measured from the underneath side of the hex.

Lenz will build to your specifications!

Lenz's Bimetal Thermometers were developed to fill a need for a thermometer performing accurately under rough and difficult applications. This is accomplished by utilizing the Law of Coefficient of Expansion differential of two unlike materials; hence the name "Bimetal Thermometer." The expansion differential of the two unlike metals, connected with a mechanical linkage which Lenz coats with a viscous silicone to minimize pointer oscillation, shows the temperature on the hermetically sealed dial. The Lenz BMT series thermometer probe extends well into the fluid to provide a more accurate reading of fluid temperatures than surface thermometers and are unaffected by ambient temperature.



MODEL NUMBER	DIAL SIZE	TEMPERATURE	STEM LENGTH	STEM CONNECTION
BMT-3-250-25-RC BMT-3-250-4-RC BMT-3-250-6-RC	3"	0-250 F° / -20-120 C°	2 1/2" 4" 6"	Rear Connection
BMT-3-550-25-RC BMT-3-550-4-RC BMT-3-550-6-RC	3"	50-550 F° / 10-290 C°	2 1/2" 4" 6"	Rear Connection
BMT-3-250-25-LM BMT-3-250-4-LM BMT-3-250-6-LM	3"	0-250 F° / -20-120 C°	2 1/2" 4" 6"	Lower Mount
BMT-3-550-25-LM BMT-3-550-4-LM BMT-3-550-6-LM	3"	50-550 F° / 10-290 C°	2 1/2" 4" 6"	Lower Mount
BMT-3-250-25-AA BMT-3-250-4-AA BMT-3-250-6-AA	3"	0-250 F° / -20-120 C°	2 1/2" 4" 6"	All Angle
BMT-3-550-25-AA BMT-3-550-4-AA BMT-3-550-6-AA	3"	50-550 F° / 10-290 C°	2 1/2" 4" 6"	All Angle
BMT-5-550-25-AA BMT-5-550-4-AA BMT-5-550-6-AA	5"	50-550 F° / 10-290 C°	2 1/2" 4" 6"	All Angle



Thermowells permit the removal, replacement or testing of the Bimetal Thermometer without affecting the process media or the system.

Model	Description
TW-25	Thermowell: For 2 1/2" Probe Lengths
TW-4	Thermowell: For 4" Probe Lengths
TW-6	Thermowell: For 6" Probe Lengths

See Technical Bulletin TB.PG16.811, for further information.
(Technical Data – www.lenzinc.com)

