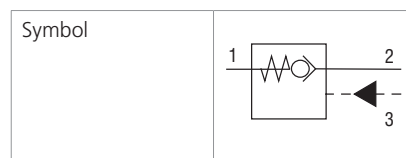


**Technical Features**

- › Hardened and precision working parts
- › Sharp-edged ground steel seats for dirt-tolerant performance
- › Leak-free closing and suitable for fast cycling with long life
- › High flow capacity
- › Optional sealed piston and bias spring ranges for back-pressure control
- › In the standard version, the valve is zinc-coated for 240 h protection acc. to ISO 9227

**Functional Description**

The valve allows flow to pass from port 2 to 1 while normally closing flow from 1 to 2 with load. When pressure is applied at port 3. The flow passes from port 1 to 2. The cartridge valve has a 3:1 pilot ratio. This require minimum one-third of the load pressure applied at port 3 to open the valve. The check valve is also spring closed to secure holding position in static conditions without the load.



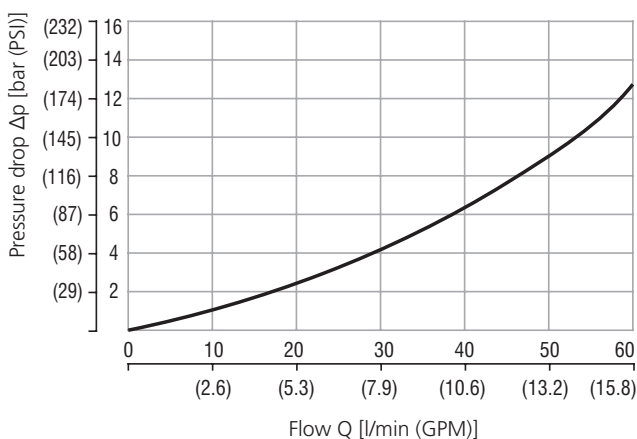
**Technical Data**

Valve size / Cartridge cavity		7/8-14UNF - LONG / BP3
Max. flow	l/min (GPM)	60 (15.8)
Max. operating pressure	bar (PSI)	420 (6090)
Pilot ratio		3:1
Fluid temperature range (NBR)	°C (°F)	-30 ... +100 (-22 ... +212)
Fluid temperature range (FPM)	°C (°F)	-20 ... +120 (-4 ... +248)
Mass	kg (lbs)	0.13 (0.29)

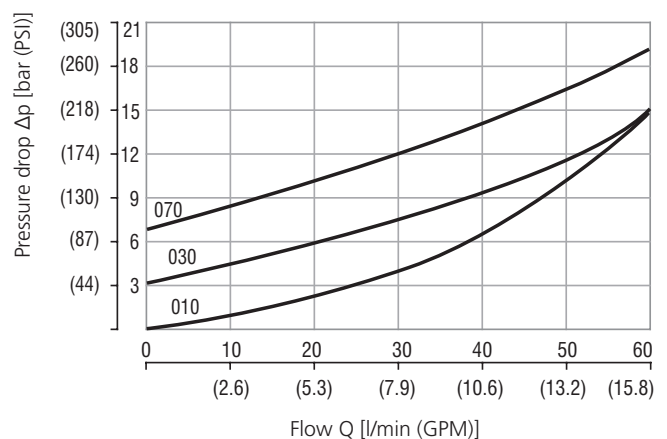
		Datasheet	Type
General information		GI_0060	Products and operating conditions
Valve bodies	In-line mounted	SB_0018	SB-BP3*
Cavity details		SMT_0019	SMT-BP3*
Spare parts		SP_8010	

**Characteristics** measured at  $v = 40 \text{ mm}^2/\text{s}$  (195 SUS)

**Pressure drop related to flow rate**

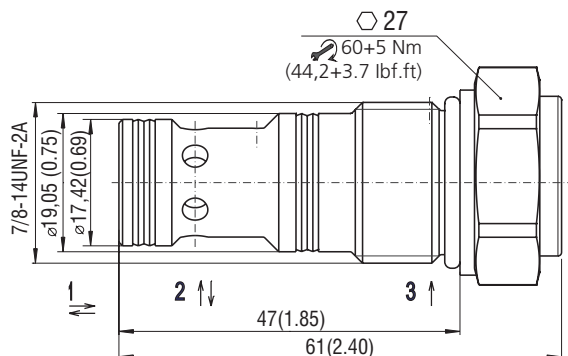


pilot open (1→2)



free flow (2→1)

**Dimensions** in millimeters (inches)



**Ordering Code**

<b>SC5H-BP3/H</b>		<input type="checkbox"/>	<input type="checkbox"/>	-	<input type="checkbox"/>	<input type="checkbox"/>	-	<input type="checkbox"/>
<b>Check valve, pilot to open, poppet-type</b>	7/8-14UNF							
<b>Pilot ratio</b>	3:1		3					
<b>Optional pilot piston seal</b>		No designation	S		010	030	070	
without pilot piston seal								
with pilot piston seal								
								<b>Free flow cracking pressure</b>
								1 bar (14.5 PSI)
								3 bar (43.5 PSI)
								7 bar (101.5 PSI)
								<b>Surface treatment</b>
								B 520 h salt spray test (ISO 9227)
								<b>Seals</b>
								NBR
								V FPM (Viton)