

H90 SERIES

90 degree flat face couplers made to the ISO 16028 Standard

INTRODUCTION

Holmbury's H90 Series is designed for use in applications that require a 90° elbow in the hydraulic circuit, such as digger booms. The right angle design allows for easy mounting without the need for additional fittings, reducing potential leakage paths and cost.

CONSTRUCTION

- Carbon steel with zinc nickel plating (1200 hours with no red rust in salt spray tests)
- Fitted with Nitrile seals

FEATURES

- The H90 Series is designed to connect with the HQ and HCP Series flat face couplers
- 90 degree elbow incorporated into the coupler
- Flat faces are easily wiped clean
- Allows for minimal inclusion of air and contaminants during connection
- Flat face design prevents fluid loss during disconnection
- Bidirectional flow

ACCESSORIES

- Dust Caps and Plugs are available for the H90 Series



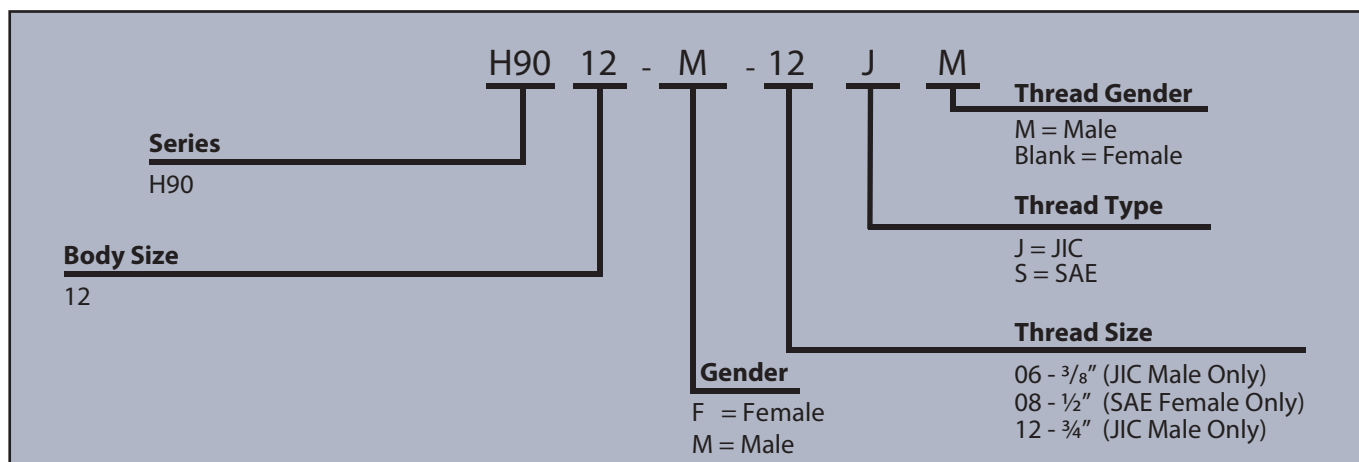
SPECIFICATIONS

- Operating temperatures (With Nitrile seals): -40°C (-40°F) to 106°C (223°F)

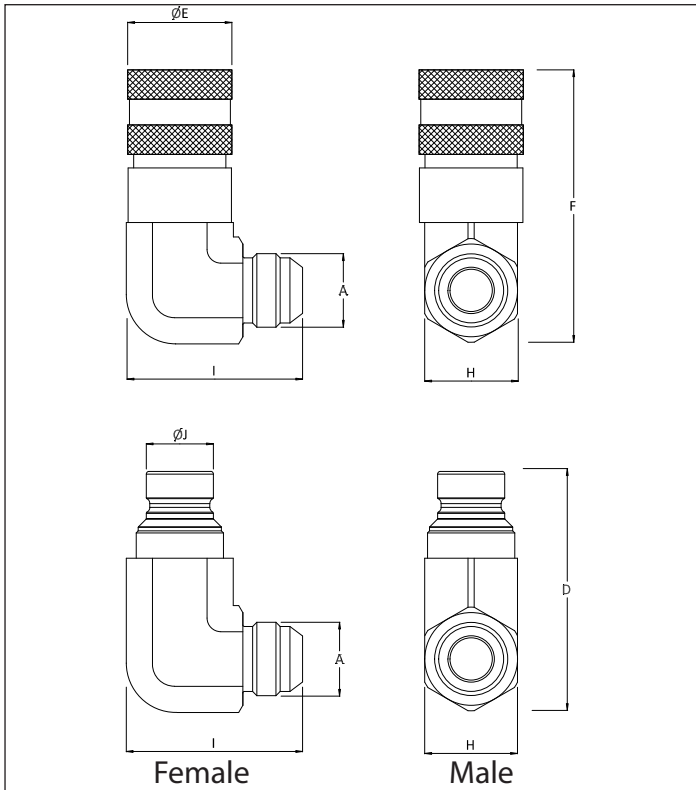
APPLICATIONS

- Hammer circuits
- High pressure pulse applications
- Leak free environments
- Construction plant, mobile equipment, general industrial, nuclear, mining and agricultural industries

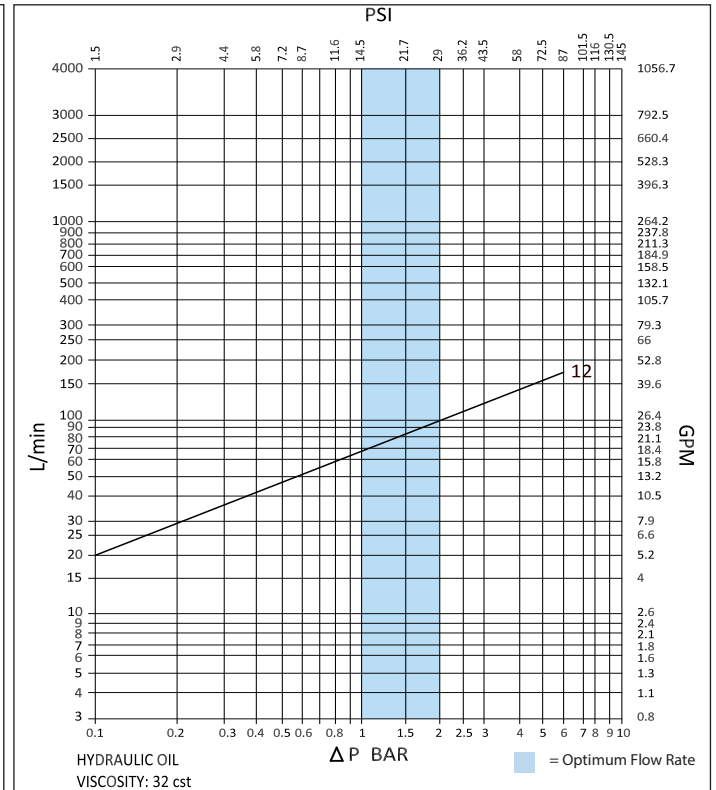
ORDER CODES



DRAWING



PRESSURE DROP CHARACTERISTICS



FLAT FACE COUPLERS

DIMENSIONS

Size	Thread Size (A)	D	ØE	F	H	I	ØJ	Maximum Working Pressure	Burst Pressure (Male)	Burst Pressure (Female)
		Dimensions in mm						Bar		
		Dimensions in Inches						Psi		
H12	08 SAE	88.0	38.0	100.5	34.0	44.0	24.5	350	1050	1000
		3.5	1.5	4.0	1.3	1.7	1.0	5075	15225	14500
H12	06 JIC	88.0	38.0	100.5	34.0	56.0	24.5	350	1050	1000
		3.5	1.5	4.0	1.3	2.2	1.0	5075	15225	14500
H12	12 JIC	88.0	38.0	100.5	34.0	64.0	24.5	350	1050	1000
		3.5	1.5	4.0	1.3	2.5	1.0	5075	15225	14500

PSI= Bar x14.5 Inches= mm/25.4

