

HPTC SERIES

High pressure manual sleeve lock couplers

INTRODUCTION

Holmbury's HPTC Series high pressure sleeve lock couplers are designed for applications where high pressures are present. The couplers are hardened to enable enhanced protection.

CONSTRUCTION

- Carbon steel with trivalent plating
- Available only in size 10 body with 3/8" NPT thread
- Fitted with Viton seals

FEATURES

- 10,000 PSI maximum working pressure
- Safety locking sleeve fitted to prevent accidental disconnection
- Sleeve is operated manually
- Bidirectional flow

ACCESSORIES

- Dust Caps and Plugs are available for the HPTC Series



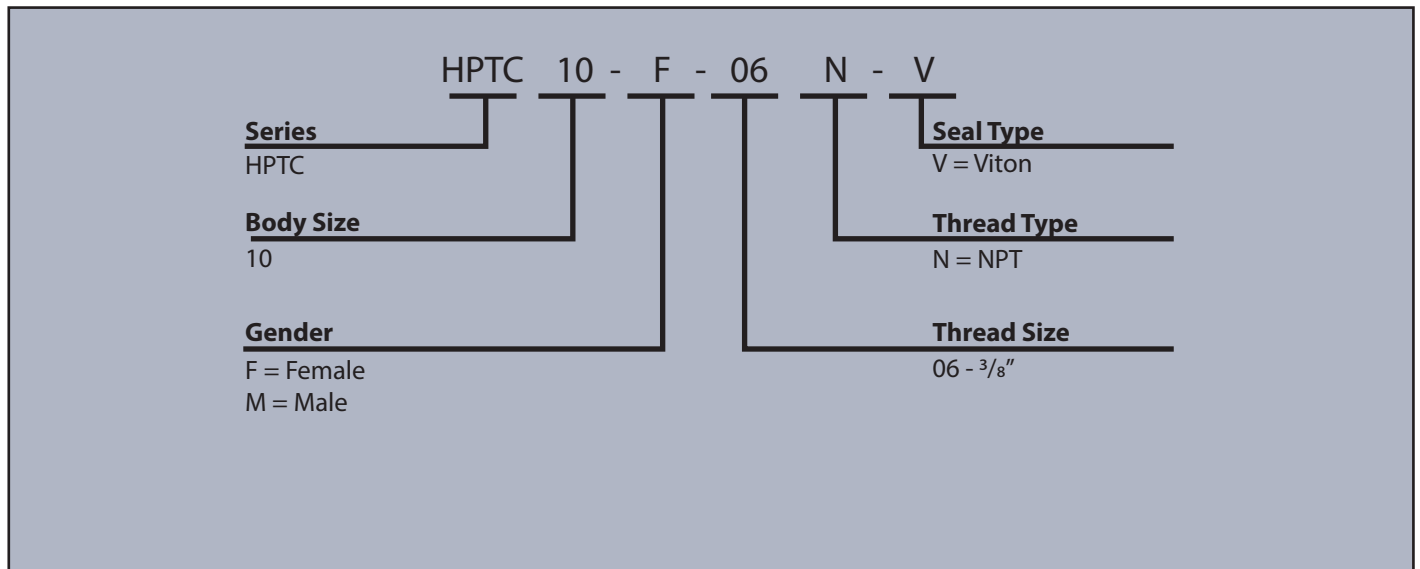
SPECIFICATIONS

- Operating temperatures (With Viton seals): -20°C (-4°F) to 200°C (392°F)

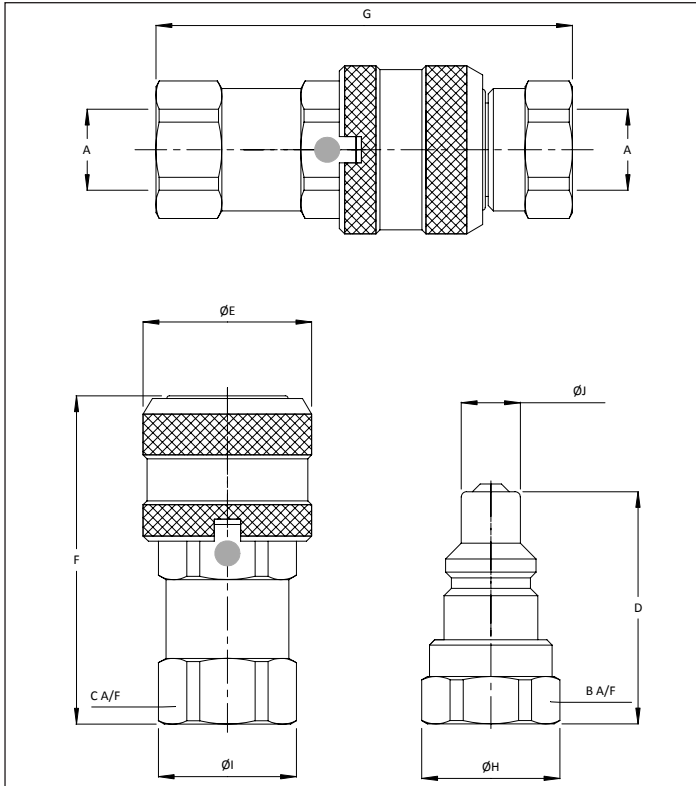
APPLICATIONS

- Hydraulic jacks
- Construction Equipment
- Railway maintenance
- Applications requiring 10,000 PSI

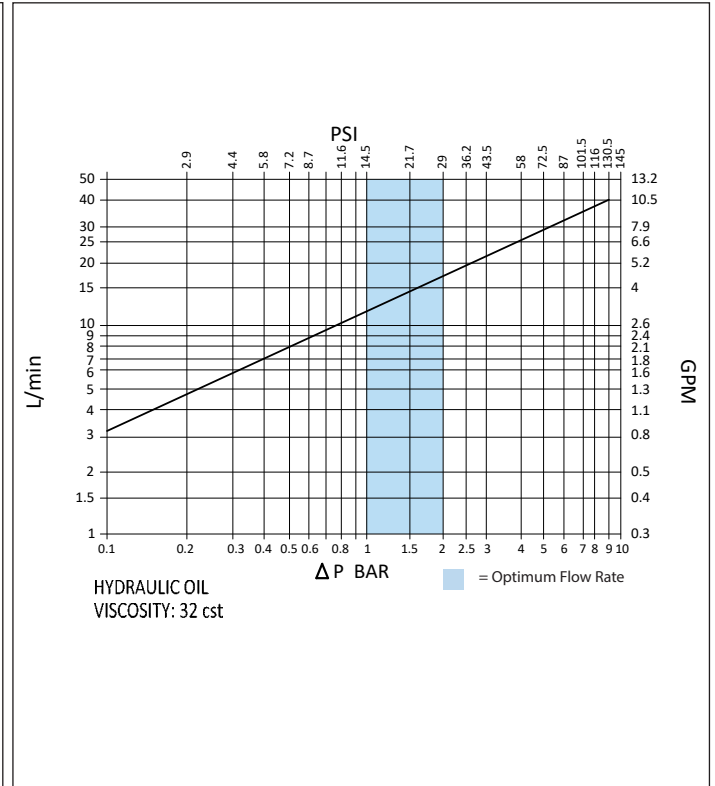
ORDER CODES



DRAWING



PRESSURE DROP CHARACTERISTICS



DIMENSIONS

Size	Thread Size (A)	B	C	D	ØE	F	G	ØH	ØI	ØJ	Maximum Working Pressure
		Dimensions in mm									Bar
		Dimensions in Inches									Psi
HPTC 10	3/8"	23.9	23.9	44.2	32.0	62.6	79.5	26.2	26.2	11.2	690
		0.9	0.9	1.7	1.3	2.5	3.1	1.0	1.0	0.4	10000

PSI= Bar x14.5 Inches= mm/25.4

