

# HQ SERIES

## Flat face couplers made to the ISO 16028 Standard

### INTRODUCTION

The HQ Series flat face couplers are Holmbury's flagship products, known globally for their leak free performance in high pressure pulse, hammer circuits and many other applications. Preferred choice for many global OEMs.

### CONSTRUCTION

- Carbon steel with zinc nickel plating (1200 hours with no red rust in salt spray tests)
- Fitted with Nitrile seals (Viton seals available)
- Also available in AISI 316 stainless steel (See HSS Series)

### FEATURES

- Safety locking sleeve fitted as standard to prevent accidental disconnection
- Flat faces are easily wiped clean
- Allows for minimal inclusion of air and contaminants during connection
- Flat face design prevents fluid loss during disconnection
- Bidirectional flow

### ACCESSORIES

- Dust Caps, Plugs and Parking Stations are available for the HQ Series



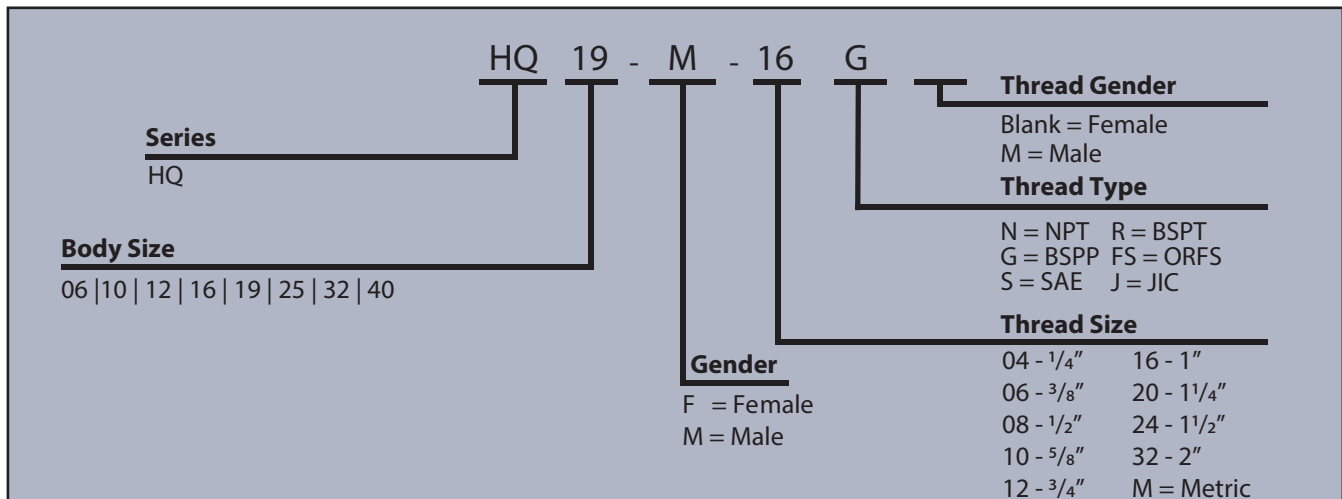
### SPECIFICATIONS

- Operating temperatures (With Nitrile seals): -40°C (-40°F) to 106°C (223°F), (With Viton seals): -20°C (-4°F) to 200°C (392°F)
- Couplers have been tested to the ISO 7241-2 Standard

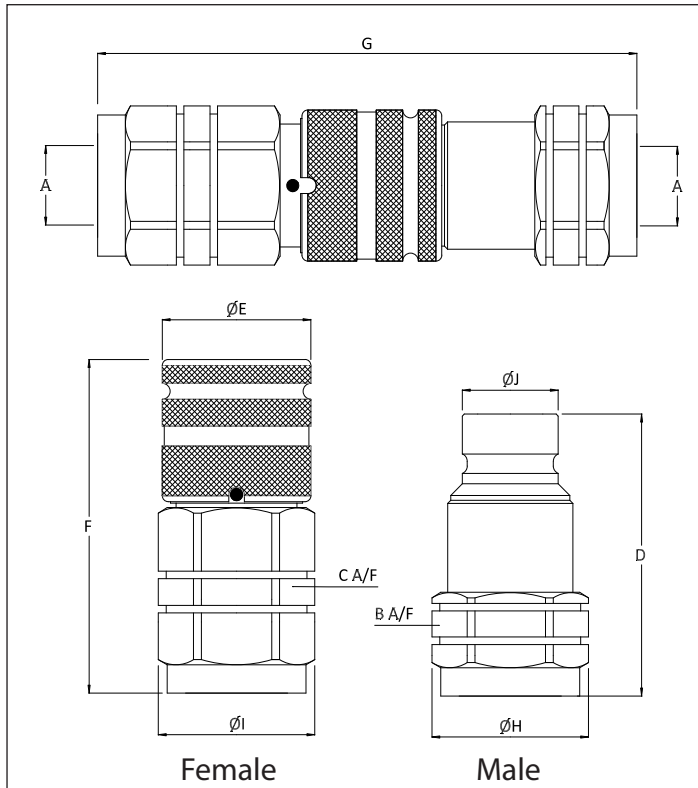
### APPLICATIONS

- Hammer circuits
- High pressure pulse applications
- Leak free environments
- Construction plant, mobile equipment, general industrial, nuclear, mining and agricultural industries

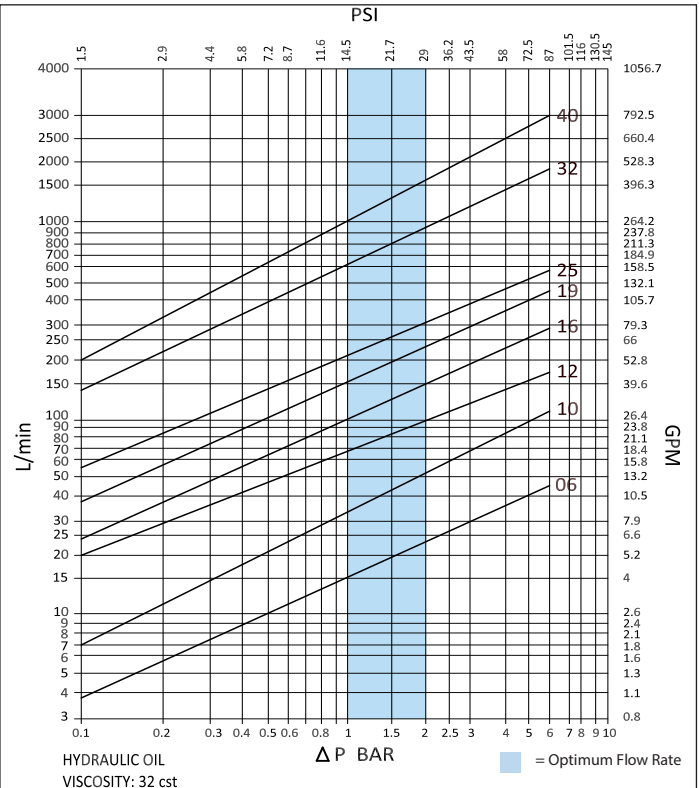
### ORDER CODES



## DRAWING



## PRESSURE DROP CHARACTERISTICS



## DIMENSIONS

Size	Thread Size (A)*	B	C	D	ØE	F	G	ØH	ØI	ØJ	Maximum Working Pressure	Burst Pressure (Coupled)	Burst Pressure (Male)	Burst Pressure (Female)
Dimensions in Inches											Psi			
HQ 06	1/4"	22.0	27.0	53.8	28.0	54.3	97.0	24.0	29.0	16.2	400	1700	1220	1500
		0.9	1.1	2.1	1.1	2.1	3.8	0.9	1.1	0.6	5800	24650	17690	21750
HQ 10	3/8"	27.0	30.0	60.2	31.8	69.3	113.3	29.0	32.0	19.7	350	1500	1050	1100
		1.1	1.2	2.4	1.3	2.7	4.5	1.1	1.3	0.8	5075	21750	15225	15950
HQ 10	1/2"	27.0	30.0	63.2	31.8	74.2	121.5	29.0	32.0	19.7	350	1500	1050	1100
		1.1	1.2	2.5	1.3	2.9	4.8	1.1	1.3	0.8	5075	21750	15225	15950
HQ 12	1/2" & 3/4"	36.0	36.0	71.2	37.8	83.7	137.7	40.0	40.0	24.5	350	1200	1000	1050
		1.4	1.4	2.8	1.5	3.3	5.4	1.6	1.6	1.0	5075	17400	14500	15225
HQ 16	3/4"	36.0	41.0	73.1	42.0	83.9	139.8	38.5	45.1	27.0	350	1200	1100	1100
		1.4	1.6	2.9	1.7	3.3	5.5	1.5	1.8	1.1	5075	17400	15950	15950
HQ 19	1"	46.0	46.0	84.0	45.5	99.0	161.6	50.3	50.2	30.0	350	1450	1050	1050
		1.8	1.8	3.3	1.8	3.9	6.4	2.0	2.0	1.2	5075	21025	15225	15225
HQ 25	1 1/4"	55.0	55.0	90.4	55.0	106.2	173.3	59.7	59.7	36.0	260	800	800	800
		2.2	2.2	3.6	2.2	4.2	6.8	2.4	2.4	1.4	3770	11600	11600	11600
HQ 32	1 1/2"	70.0	70.0	119.8	79.0	118.5	209.5	77.0	79.0	57.0	250	1100	1200	1200
		2.8	2.8	4.7	3.1	4.7	8.2	3.0	3.1	2.2	3625	15950	17400	17400
HQ 40	2"	80.0	80.0	173.4	103.0	145.5	282.3	106.2	106.2	72.9	250	1000	1000	1000
		3.1	3.1	6.8	4.1	5.7	11.1	4.2	4.2	2.9	3625	14500	14500	14500

\*Dimensions based on BSPP threads

PSI= Bar x14.5 Inches= mm/25.4

