

# PTS SERIES

## Stainless steel high pressure heavy duty screw connect couplers

### INTRODUCTION

Holmbury's PTS Series stainless steel screw connect couplers are designed for heavy duty applications involving very high pressures and severe pressure pulses. They incorporate all the benefits of the carbon steel PTC Series, while being perfectly suited for corrosive fluids and environments.

### CONSTRUCTION

- AISI 316 stainless steel
- Fitted with Viton seals (Other seals available on request)
- Also available in carbon steel (See PTC Series)

### FEATURES

- Can be connected with 50 bar residual pressure in the hydraulic circuit
- Bidirectional flow

### ACCESSORIES

- Dust Caps and Plugs are available for the PTS Series



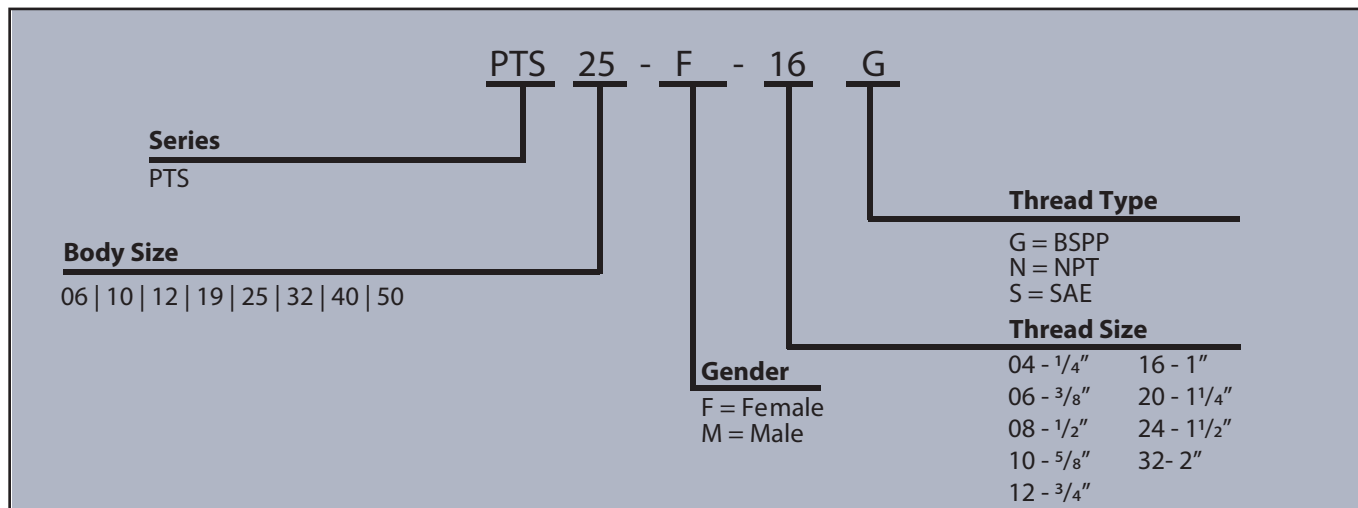
### SPECIFICATIONS

- Operating temperatures (With Viton seals): -20°C (-4°F) to 200°C (392°F)

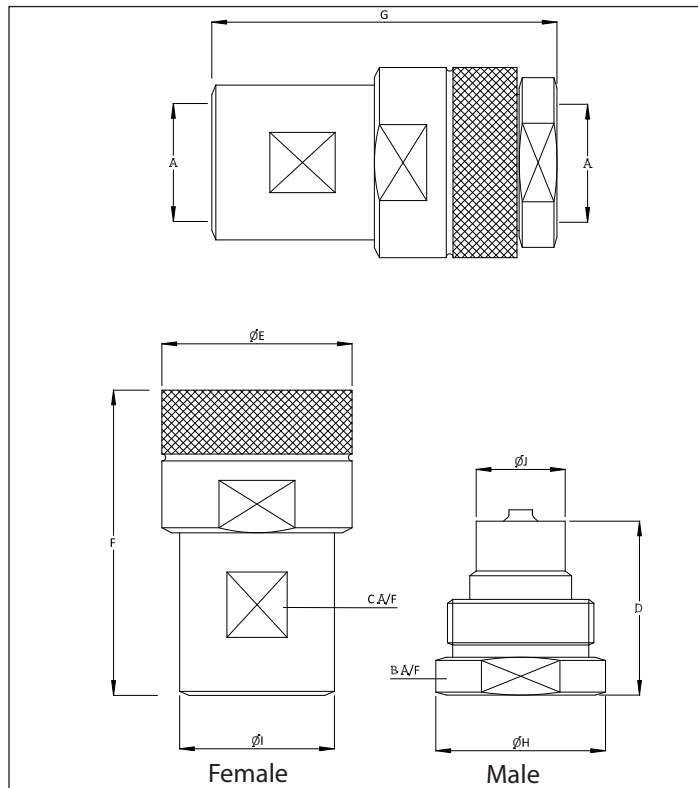
### APPLICATIONS

- Hydraulic jacks
- Marine
- Oil and gas

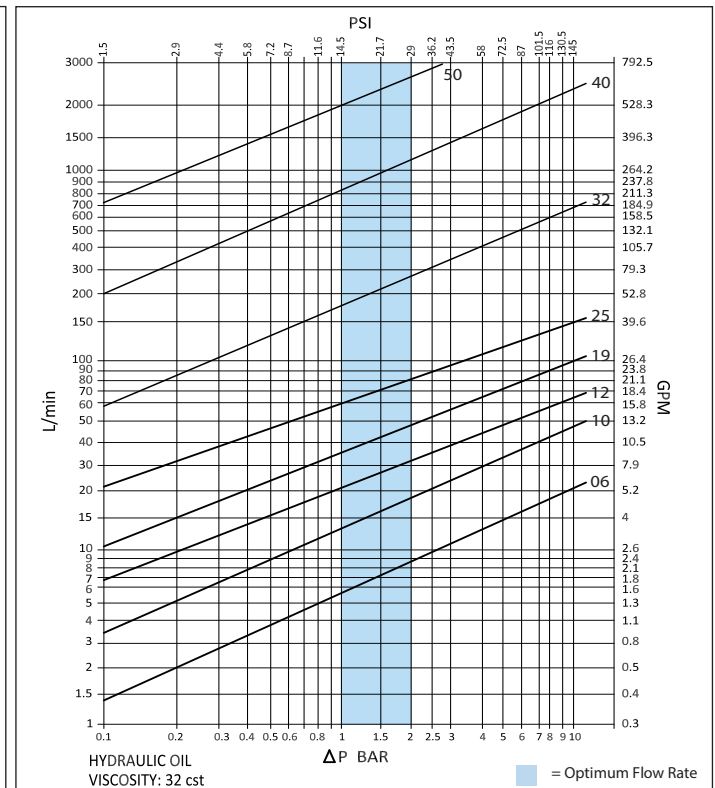
### ORDER CODES



## DRAWING



## PRESSURE DROP CHARACTERISTICS



## DIMENSIONS

| Size   | Thread Size (A)* | B                    | C     | D     | ØE    | F     | G     | ØH    | ØI    | ØJ   | Maximum Working Pressure | Burst Pressure (Coupled) | Burst Pressure (Male) | Burst Pressure (Female) |
|--------|------------------|----------------------|-------|-------|-------|-------|-------|-------|-------|------|--------------------------|--------------------------|-----------------------|-------------------------|
|        |                  | Dimensions in mm     |       |       |       |       |       |       |       |      | Bar                      |                          |                       |                         |
|        |                  | Dimensions in Inches |       |       |       |       |       |       |       |      | Psi                      |                          |                       |                         |
| PTS 06 | 1/4"             | 25.0                 | 27.0  | 43.0  | 30.0  | 61.5  | 84.5  | 27.0  | 25.0  | 14.0 | 700                      | 3700                     | 3700                  | 3800                    |
|        |                  | 1.0                  | 1.1   | 1.7   | 1.2   | 2.4   | 3.3   | 1.1   | 1.0   | 0.6  | 10150                    | 53650                    | 53650                 | 55100                   |
| PTS 10 | 3/8"             | 32.0                 | 36.0  | 48.5  | 39.0  | 69.0  | 89.5  | 35.0  | 32.0  | 19.0 | 650                      | 2600                     | 2300                  | 2000                    |
|        |                  | 1.3                  | 1.4   | 1.9   | 1.5   | 2.7   | 3.5   | 1.4   | 1.3   | 0.7  | 9425                     | 37700                    | 33350                 | 29000                   |
| PTS 12 | 1/2"             | 34.0                 | 41.0  | 53.0  | 44.0  | 79.0  | 103.0 | 38.0  | 38.0  | 20.5 | 600                      | 2500                     | 2100                  | 2700                    |
|        |                  | 1.3                  | 1.6   | 2.1   | 1.7   | 3.1   | 4.1   | 1.5   | 1.5   | 0.8  | 8700                     | 36250                    | 30450                 | 39150                   |
| PTS 19 | 3/4"             | 46.0                 | 50.0  | 63.0  | 54.0  | 97.5  | 121.5 | 48.5  | 44.0  | 28.0 | 500                      | 2400                     | 2100                  | 1700                    |
|        |                  | 1.8                  | 2.0   | 2.5   | 2.1   | 3.8   | 4.8   | 1.9   | 1.7   | 1.1  | 7250                     | 34800                    | 30450                 | 24650                   |
| PTS 25 | 1"               | 50.0                 | 54.5  | 72.5  | 59.0  | 112.5 | 139.0 | 54.0  | 54.0  | 31.5 | 460                      | 1500                     | 1600                  | 1900                    |
|        |                  | 2.0                  | 2.1   | 2.9   | 2.3   | 4.4   | 5.5   | 2.1   | 2.1   | 1.2  | 6670                     | 21750                    | 23200                 | 27550                   |
| PTS 32 | 1 1/4"           | 65.0                 | 74.5  | 86.0  | 80.0  | 139.5 | 167.0 | 70.0  | 69.5  | 44.0 | 380                      | 1000                     | 1000                  | 1000                    |
|        |                  | 2.6                  | 2.9   | 3.4   | 3.1   | 5.5   | 6.6   | 2.8   | 2.7   | 1.7  | 5510                     | 14500                    | 14500                 | 14500                   |
| PTS 40 | 1 1/2"           | 80.0                 | 90.0  | 95.0  | 98.0  | 172.0 | 188.0 | 83.0  | 78.5  | 53.5 | 365                      | 1000                     | 900                   | 950                     |
|        |                  | 3.1                  | 3.5   | 3.7   | 3.9   | 6.8   | 7.4   | 3.3   | 3.1   | 2.1  | 5292.5                   | 14500                    | 13050                 | 13775                   |
| PTS 50 | 2"               | 110.0                | 123.0 | 118.5 | 127.5 | 160.0 | 228.0 | 115.5 | 105.0 | 82.0 | 300                      | 900                      | 900                   | 900                     |
|        |                  | 4.3                  | 4.8   | 4.7   | 5.0   | 6.3   | 9.0   | 4.5   | 4.1   | 3.2  | 4350                     | 13050                    | 13050                 | 13050                   |

\*Dimensions based on BSPP threads

PSI= Bar x14.5 Inches= mm/25.4

