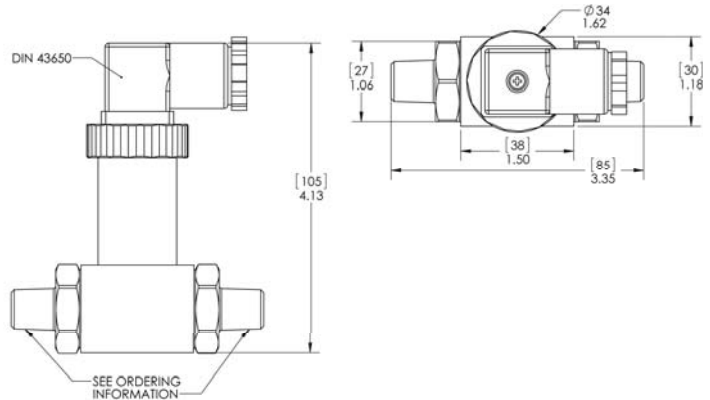


DPT Differential Pressure Transducer



CE Sensing Element: Piezoresistive Silicon Chip

Wiring Data Information				
DIN Connector PIN Function (- 81)				
Signal Output	Pin 1	Pin 2	Pin 3	Pin 4
mA	Supply V+	Output	N/A	N/A
V	Supply V+	Common	Output	N/A

The **DPT DIFFERENTIAL** pressure transducers offer Piezoresistive silicon chip, MEMS technology, Long Term Stability, Stainless Steel design, ideal for the industrial environment.

ELECTRICAL:

Output: 4 - 20mA (2 wire)
Supply: 12 -35 vdc (2wire)
0.5 - 4.5V (ratiometric) 5 vdc (3 wire)

ACCURACY:

Including Linearity, Hysteresis and Repeatability: ± 0.25% (Full Scan)

PROTECTION:

IP65 with DIN

RESPONSE TIME:

1 millisecond

WEIGHT:

1.04 LBS (0.47KG)

OPERATING TEMPERATURE:

-40° to 257°F (-40° to 125°C)

COMPENSATION TEMP:

32° to 140°F (0° to 60°C)

STORAGE TEMPERATURE:

-40° to 257°F (-40° to 125°C)

ZERO TEMP. COEFFICIENT:

±1.5% Full Scan max
32° to 140°F (0° to 60°C)

SPAN TEMP. COEFFICIENT:

±1.5% Full Scan max
32° to 140°F (0° to 60°C)

PRESSURE RANGE:

Range:	Positive Overpressure	Negative Overpressure
5 psi (0.4 Bar)	10 psi (0.7 Bar)	5 psi (0.4Bar)
10 psi (0.7 Bar)	22 psi (1.5 Bar)	10 psi (0.7 Bar)
14.5 psi (1 Bar)	29 psi (2 Bar)	14.5 psi (1 Bar)
36 psi (2.5 bar)	73 psi (5 Bar)	36 psi (2.5 Bar)
58 psi (4 Bar)	116 psi (8 Bar)	58 psi (4 Bar)
87 psi (6 Bar)	174 psi (12 Bar)	87 psi (6 Bar)
145 psi (10 Bar)	290 psi (20 Bar)	145 psi (10 Bar)
232 psi (16 Bar)	464 psi (32 Bar)	145 psi (10 Bar)
363 psi (25 Bar)	725 psi (50 Bar)	145 psi (10 Bar)

MATERIAL:

Body: 304 Stainless Steel
Sensing Element: Piezoresistive Silicon Chip

ORDERING INFORMATION

DPT	- A	- 10	- 4M	- HC	- 80
Model	Type	Pressure Range	Port Size	Terminal	Pin Out
DPT	A: 4 - 20mA (2 wire) D: 0.5 - 4.5V (3 wire)	Specify Pressure Range Required (5 psi, 10 psi, 14.5 psi, 36 psi, 58 psi, 87 psi, 145 psi, 232 psi, 363 psi)	2M- 1/8" NPT 4M - 1/4 NPT 4S - 7/16 X 20 SAE Male 4G - 1/4 BSPP* (undercut for an o-ring seal) 4GS- 1/4 BSPP* (no undercut) M12 - M12 X 1.5* M14 - M14 X 1.5* *Non Standard Consult Factory for other sizes	HC - DIN 43650A DIN Cable Clamp	Standard Pin out as per above wire data Information