



## Air Cooled Liquid Cooler Application Request:

For ACL Series

Email form to: sales@aihti.com or engineering@aihti.com or fax to 434-757-1810

Contact Name \_\_\_\_\_ Telephone \_\_\_\_\_ Date \_\_\_\_\_

Company Name \_\_\_\_\_ Email \_\_\_\_\_

Address: \_\_\_\_\_ Fax \_\_\_\_\_

### Hot Side

Fluid Type \_\_\_\_\_

Density \_\_\_\_\_ lb/ft<sup>3</sup>

Viscosity \_\_\_\_\_ cP

If available: Thermal Conductivity \_\_\_\_\_ Btu/hr.ft.°F

Specific Heat \_\_\_\_\_ Btu/lb.°F

### Cold Side

Ambient Air \_\_\_\_\_

Altitude \_\_\_\_\_

1. Flow Rate \_\_\_\_\_

1. Operating Pressure \_\_\_\_\_

2. Temperature In \_\_\_\_\_

2. Allowable Pressure Drop \_\_\_\_\_

3. Desired Temperature Out \_\_\_\_\_

ASME Code and Certified Yes  No

4. Heat Load \_\_\_\_\_

To properly size the heat exchanger we need 3 of the 4 parameters on the Hot Side.

Cabinet Material:

Standard : Steel

Options: Galvanized Steel

Stainless Steel

Tubing Material:

Standard : Copper

Options: Stainless Steel

90/10 Copper Nickel

Motor

60Hz: 230/460 Volt, 3 Phase

115/230 Volt, 1 Phase

575 Volt, 3 Phase

Coating

Standard Enameled Gray Paint

Options: Epoxy Paint

Fins

Standard Aluminum

Options: Copper

Optional Coating: Heresite

50Hz 230/400 Volt, 3 Phase

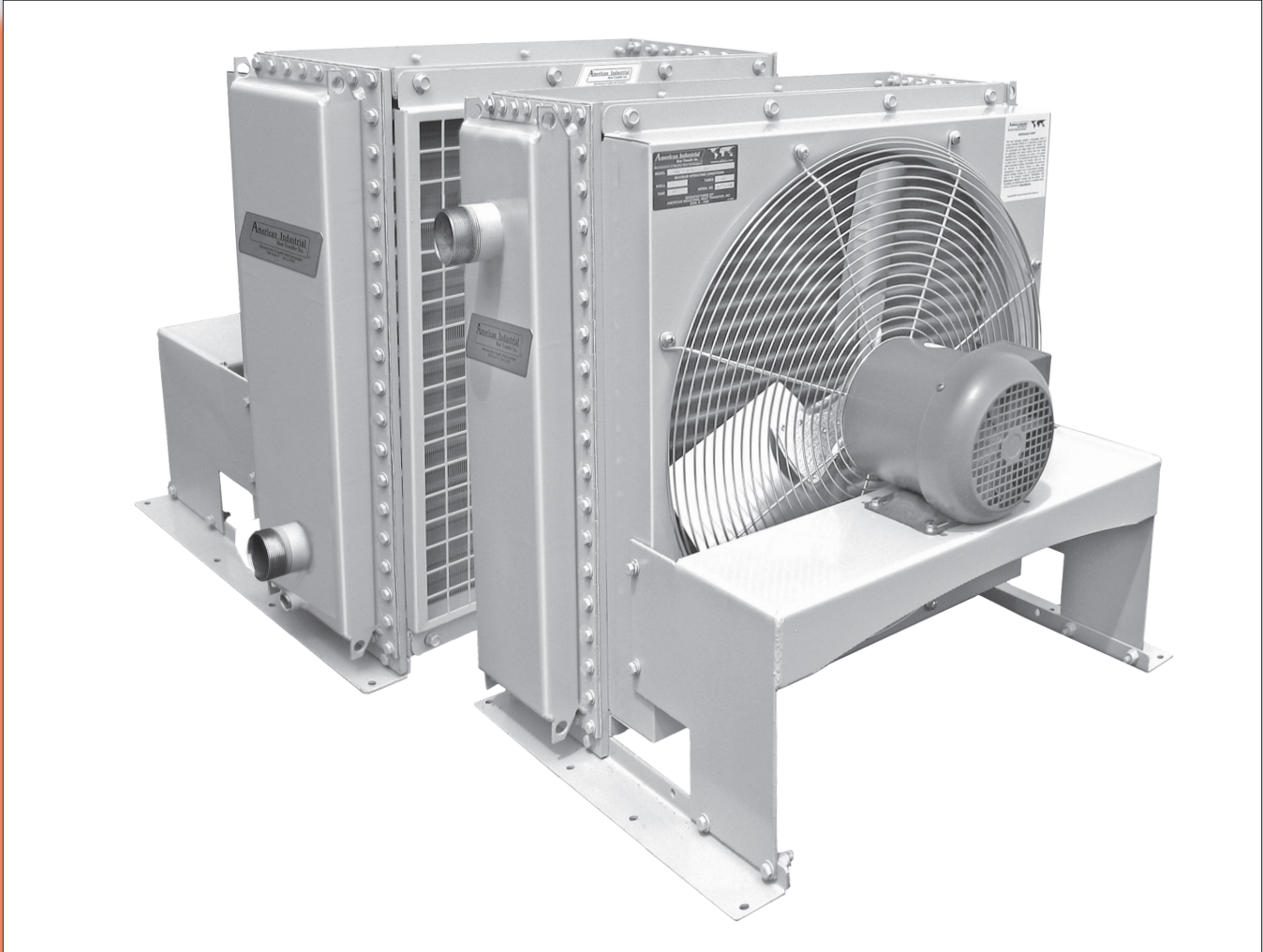
110/220 Volt, 1 Phase

Hydraulic Motor

Comment: \_\_\_\_\_



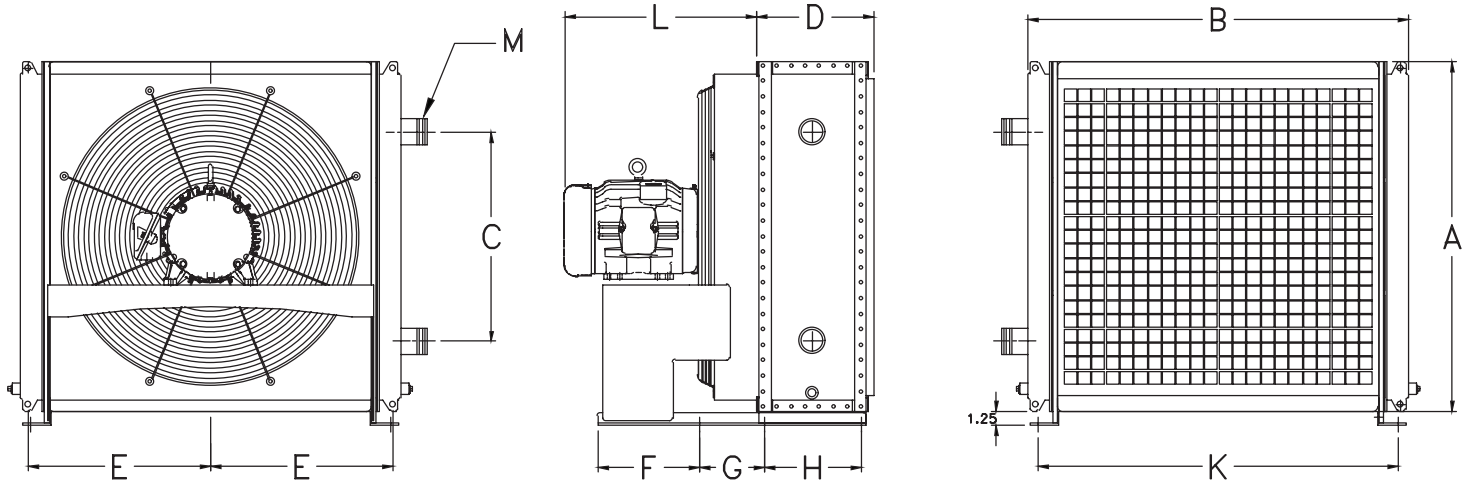
## ACL SERIES



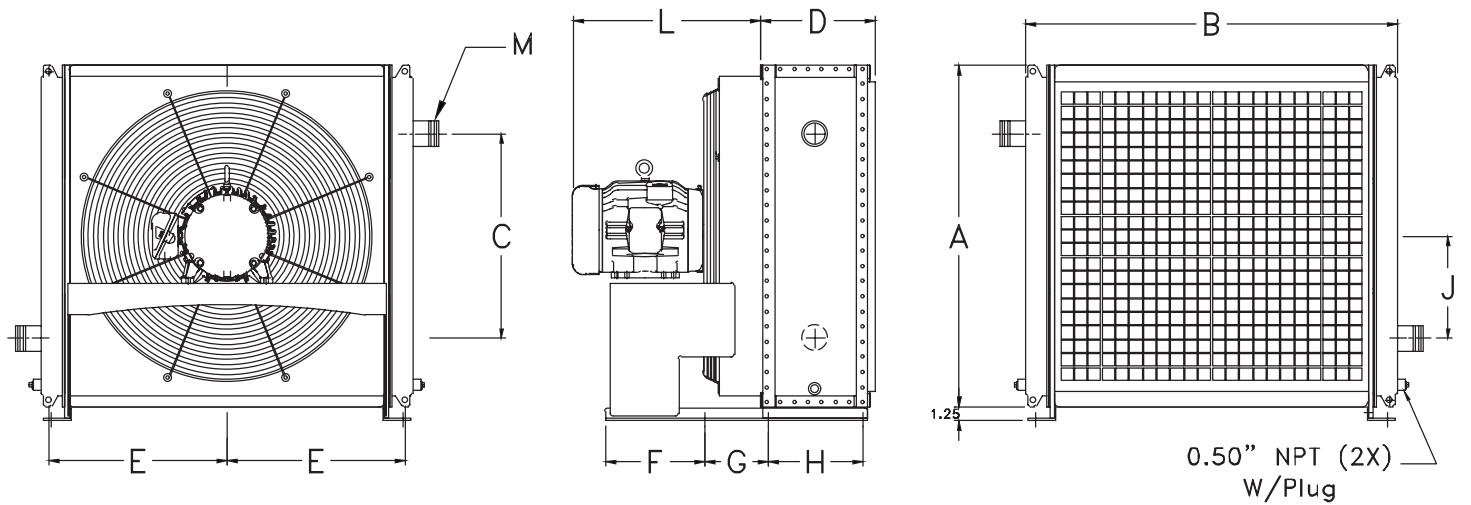
### AIR COOLED

# LIQUID COOLERS

- Severe duty construction with OSHA guard.
- Serviceable Core®.
- Thermal capacity to 1,400 hp (1,043 Kw).
- Operating temperature of 300°F at 300 PSI.
- Electric, hydraulic drive.
- Optional: built-in bypass valve.
- Can be customized to fit any applications.
- Computer generated data sheet available for any application
- Field changeable drive from electric to hydraulic.



## ACL - TWO PASS



## ACL - SINGLE / THREE PASS

DIMENSIONS (inches)												
Model	A	B	C	D	E	F	G	H	J	K	L	M NPT
ACL - 1220	22.63	25.42	13.25	10.95	11.75	9.50	4.00	9.00	6.00	23.50	17.30	1.50
ACL - 1225	27.63	30.42	17.00	10.95	14.25	9.50	6.00	9.00	9.75	28.50	17.97	1.50
ACL - 1230	33.63	35.42	19.50	10.95	16.75	9.50	6.00	9.00	9.75	33.50	17.94	1.50
ACL - 1235	37.63	40.42	22.00	10.95	19.25	9.50	6.00	9.00	9.75	38.50	18.50	2.00
ACL - 1240	42.63	45.42	24.50	10.95	21.75	9.50	6.00	9.00	9.75	43.50	18.50	2.00
ACL - 1245	47.63	50.42	27.00	10.95	24.25	9.50	6.00	9.00	9.75	48.50	18.50	2.00
ACL - 1250	52.63	55.42	29.50	10.95	26.75	9.50	6.00	9.00	9.75	53.50	18.50	2.00
ACL - 1255	57.63	60.42	32.00	10.95	29.25	9.50	6.00	9.00	9.75	58.50	18.50	2.00



**ACL Notes:**

---

- Notes: 1. The ACL Series are designed with heavy duty construction to remove an extreme amount of heat in a compact design for indoor and outdoor application
- 2. Servicable core, cover can be easily removed to have access to the tubes for service if required
- 3. Will provide a detailed drawing and motor data based on the required application
- 4. Units are available in a single pass, two pass or three pass based on the required application
- 5. They are available in male and female, code 61 four bolt flange and ansi flange
- 6. Can be built in ASME code and certified