



## Air Cooled Combi Cooler Application Request

For ACOC Combination Series

Contact Name \_\_\_\_\_ Telephone \_\_\_\_\_ Date \_\_\_\_\_

Company Name \_\_\_\_\_ Fax \_\_\_\_\_

Address \_\_\_\_\_ Email \_\_\_\_\_

### Section 1

### Section 2

### Section 3

Type of Fluid: \_\_\_\_\_

Type of Fluid: \_\_\_\_\_

Type of Fluid: \_\_\_\_\_

If available:

If available:

If available:

Density \_\_\_\_\_ lb/ft3  
Viscosity \_\_\_\_\_ cP  
Thermal Conductivity \_\_\_\_\_ Btu/hr.ft.°F  
Specific Heat \_\_\_\_\_ Btu/lb.°F

Density \_\_\_\_\_ lb/ft3  
Viscosity \_\_\_\_\_ cP  
Thermal Conductivity \_\_\_\_\_ Btu/hr.ft.°F  
Specific Heat \_\_\_\_\_ Btu/lb.°F

Density \_\_\_\_\_ lb/ft3  
Viscosity \_\_\_\_\_ cP  
Thermal Conductivity \_\_\_\_\_ Btu/hr.ft.°F  
Specific Heat \_\_\_\_\_ Btu/lb.°F

1. Flow Rate: \_\_\_\_\_  
2. Temp In: \_\_\_\_\_  
3. Temp Out: \_\_\_\_\_  
4. Heat Load: \_\_\_\_\_

1. Flow Rate: \_\_\_\_\_  
2. Temp In: \_\_\_\_\_  
3. Temp Out: \_\_\_\_\_  
4. Heat Load: \_\_\_\_\_

1. Flow Rate: \_\_\_\_\_  
2. Temp In: \_\_\_\_\_  
3. Temp Out: \_\_\_\_\_  
4. Heat Load: \_\_\_\_\_

To properly size the heat exchanger we need 3 of the 4 parameters of each section

Inlet Pressure: \_\_\_\_\_

Inlet Pressure: \_\_\_\_\_

Inlet Pressure: \_\_\_\_\_

Allowable Pressure Drop: \_\_\_\_\_

Allowable Pressure Drop: \_\_\_\_\_

Allowable Pressure Drop: \_\_\_\_\_

Ambient Air: \_\_\_\_\_ Altitude: \_\_\_\_\_ ASME Code and Certified Yes  No

Cabinet Material:

Tubing Material:

Motor

Standard : Steel

Standard : Copper

60Hz: 230/460 Volt, 3 Phase

Options: Galvanized Steel

Options: Stainless Steel

115/230 Volt, 1 Phase

Options: Stainless Steel

Options: 90/10 Copper Nickel

575 Volt, 3 Phase

Coating

Fins

50Hz 230/400 Volt, 3 Phase

Standard Enameled Gray Paint

Standard Aluminum

110/220 Volt, 1 Phase

Options: Epoxy Paint

Options: Copper

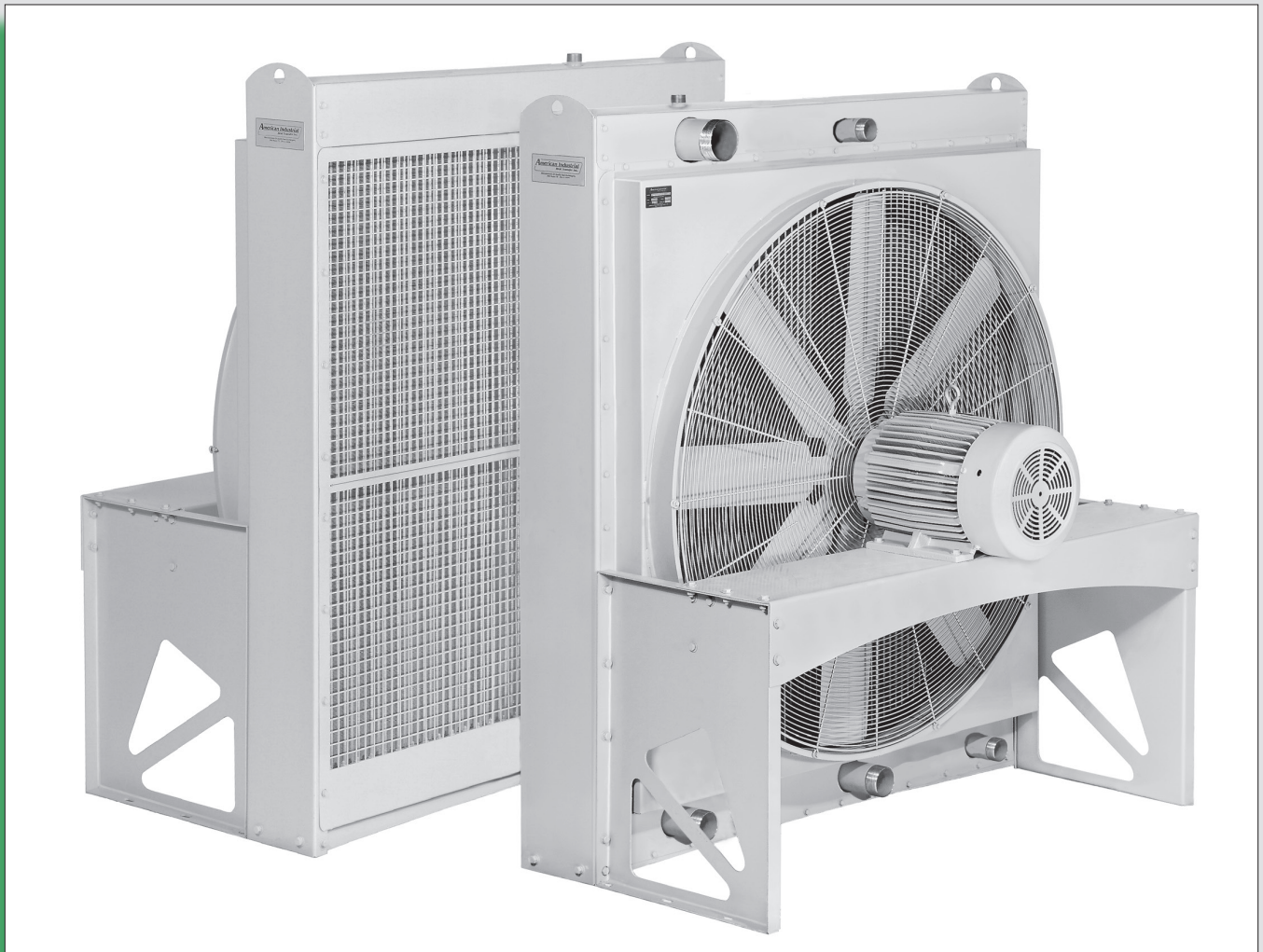
Optional Coating: Heresite

Hydraulic Motor

Comment: \_\_\_\_\_



## ACOC COMBINATION COOLER

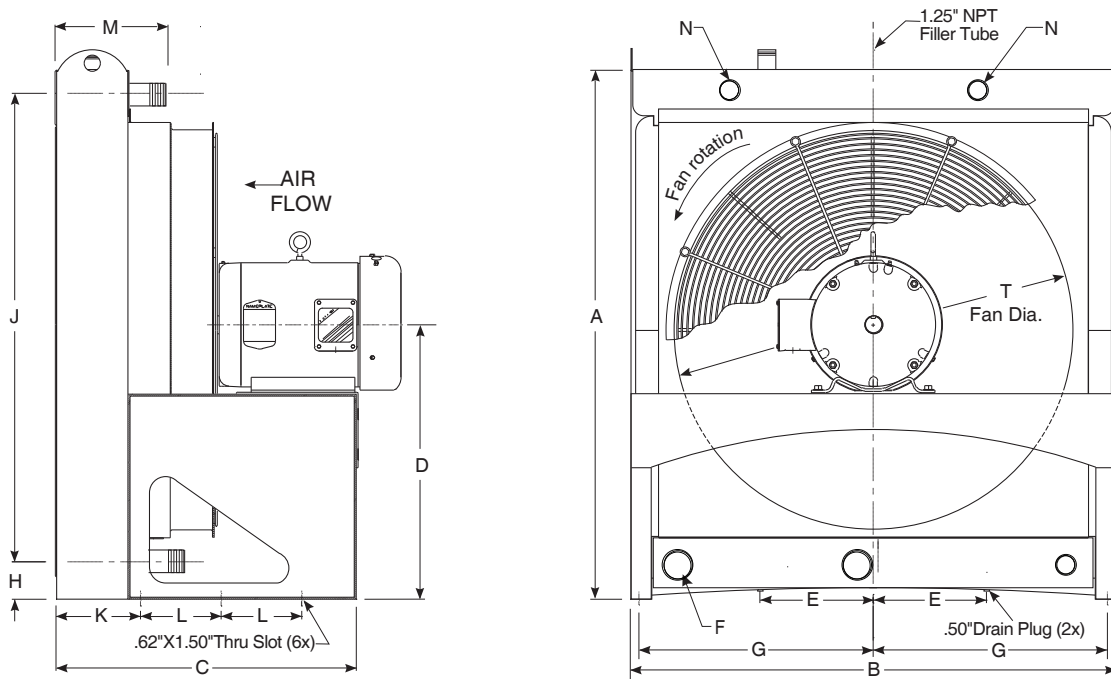


### AIR COOLED

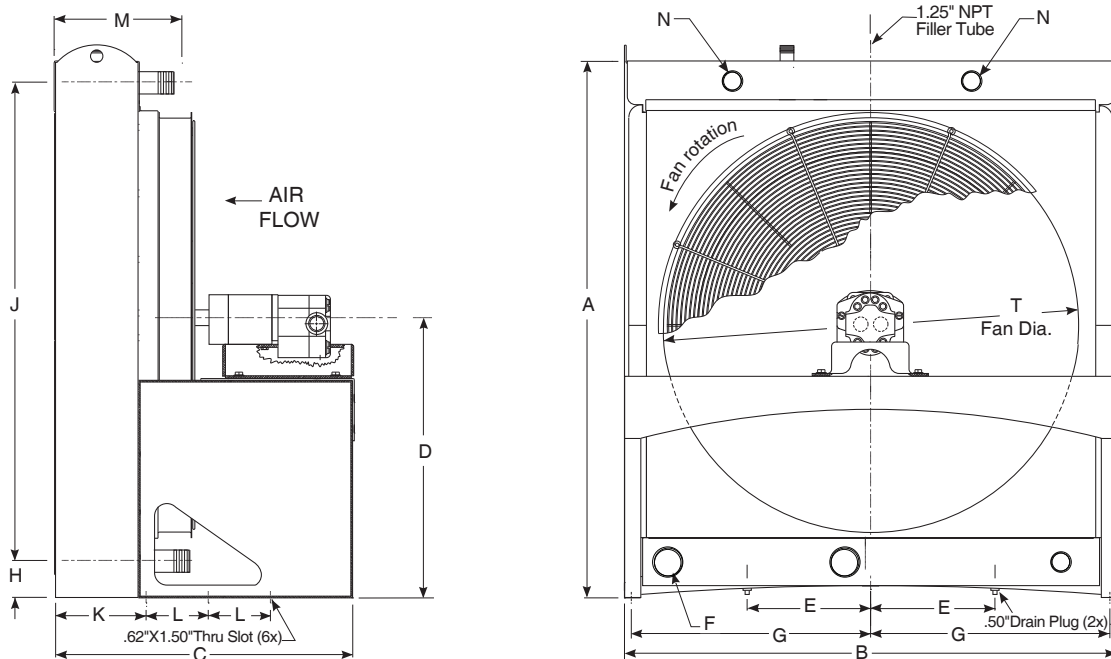
# LIQUID COOLERS

- Severe duty construction with OSHA guard.
- Serviceable Core®.
- Operating temperature of 300°F at 300 PSI.
- Electric, hydraulic, or external drive.
- Optional: built-in bypass valve.
- Can be customized to fit any applications.
- Computer generated data sheet available for any application

# ACOC Combination Cooler Series *dimensions*



ACOC - 1005 through ACOC - 4030 ELECTRIC DRIVEN



ACOC - 1005 through ACOC - 4030 HYDRAULIC DRIVEN

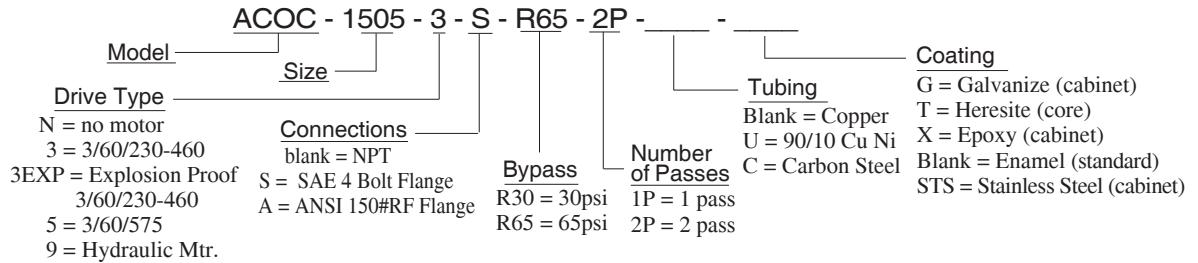
NOTE: ( F and F\* , N and N\* will be sized based on the application ) \*SAE indicates code 61 four bolt flange

Model	DIMENSIONS (inches)															
	A	B	C	D	E	F NPT	F* SAE	G	H	J	K	L	M	N NPT	N* SAE	T
ACOC-1005-*	49.00	45.00	24.88	25.00	10.50	2.00	2.00	21.75	3.50	43.50	7.81	7.50	13.50	3.00	3.00	36.00
ACOC-1505-*	56.00	53.00	24.88	28.50	12.50	2.00	2.00	25.75	3.50	50.50	7.69	7.00	13.50	3.00	3.00	42.00
ACOC-2010-*	65.00	59.50	32.13	33.00	15.00	3.00	3.00	29.00	4.50	58.00	11.06	7.50	15.50	4.00	4.00	48.00
ACOC-2515-*	73.25	67.25	34.78	37.00	16.00	3.00	3.00	32.87	4.50	66.00	11.06	7.50	15.50	4.00	4.00	54.00
ACOC-3120-*	79.25	69.50	34.78	40.00	17.00	3.00	3.00	34.00	4.50	72.00	11.06	9.00	15.50	4.00	4.00	60.00
ACOC-3525-*	85.50	74.00	40.00	43.00	18.00	3.00	3.00	37.00	4.50	78.00	13.00	9.00	18.00	4.00	4.00	60.00
ACOC-4030-*	91.50	80.00	40.00	46.00	20.00	3.00	3.00	40.00	4.50	84.00	13.00	9.00	18.00	4.00	4.00	60.00

# ACOC Combination Cooler Series

1. The ACOC series construction materials are identical to AOCS series, (See page 189)
2. ACOC electric motors and hydraulic motors are identical to AOCS Series (See page 193,195)
3. Provide a detailed computerized calculation, piping size and material construction based on the unit application
4. Will provide detailed drawing, piping connection upon receiving an order for approval

Example of a model:



## COMMON DATA

Model	Air Flow		Sound Level dB(A) @ 13ft	Liquid Volume		Weight Electric		Weight Hydraulic		Serviceable Core™
	CFM	m <sup>3</sup> /s		gal.	cm <sup>3</sup>	lb	kg	lb	kg	
ACOC-1005- *	12650	5.97	84	7.7	29145	690	313	575	261	Yes
ACOC-1505- *	16150	7.65	87	10.4	39364	910	413	1025	465	Yes
ACOC-2010- *	23350	11.73	92	22.8	86298	1280	580	1062	482	Yes
ACOC-2515- *	32000	15.00	95	27.5	104088	1610	730	1320	598	Yes
ACOC-3120- *	39000	18.40	99	31.9	120742	1810	821	1483	673	Yes
ACOC-3525- *	46000	21.71	99	47.0	177895	1980	898	1622	736	Yes
ACOC-4030- *	54000	25.48	99	47.0	185466	2150	975	1762	799	Yes

## Accessories for Air / Liquid Application

For detailed information and part number see Page 269

Electrical Temperature controller with Bulb Well Assembly (for Air / Liquid Coolers)

Part Number	Description
310-4001	TC-511 with 5-Foot Capillary Tube & Bulb Well
310-4002	TC-511 with 20-Foot Capillary Tube & Bulb Well
310-2005	Replacement Bulb Well TC-511



## “3-Way” Thermostatic Valve

For detailed information and model selection see page 270

