

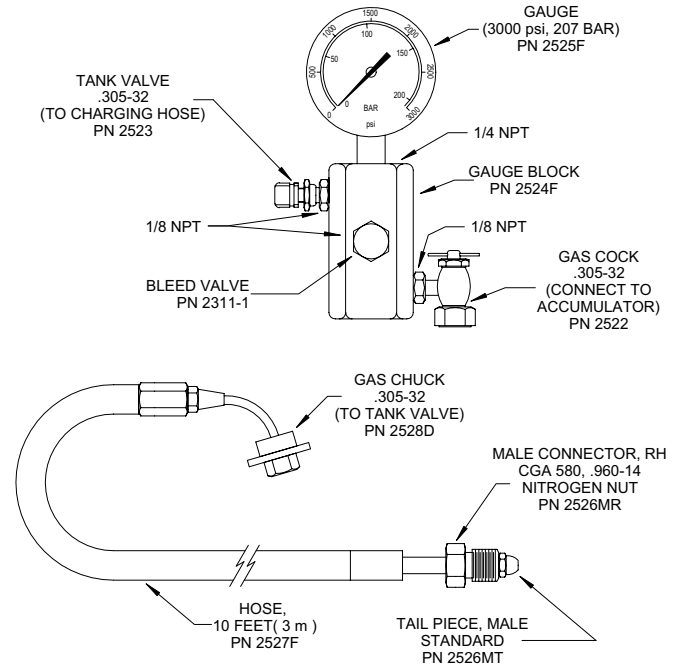
# Nitrogen Charging Assemblies

PART NUMBER	ITEM
G2525F	GAUGE ASSEMBLY
G2527F	CHARGING HOSE ASSEMBLY
GG2527F	COMPLETE CHARGING GAUGE & HOSE ASSEMBLY
GG2527F-C	COMPLETE CHARGING GAUGE & HOSE ASSEMBLY W/CASE
2522-EXT	GAS COCK EXTENSION, OPTIONAL (Not Shown)

Specifications subject to change without notice



## 3,000 PSI (207 Bar)



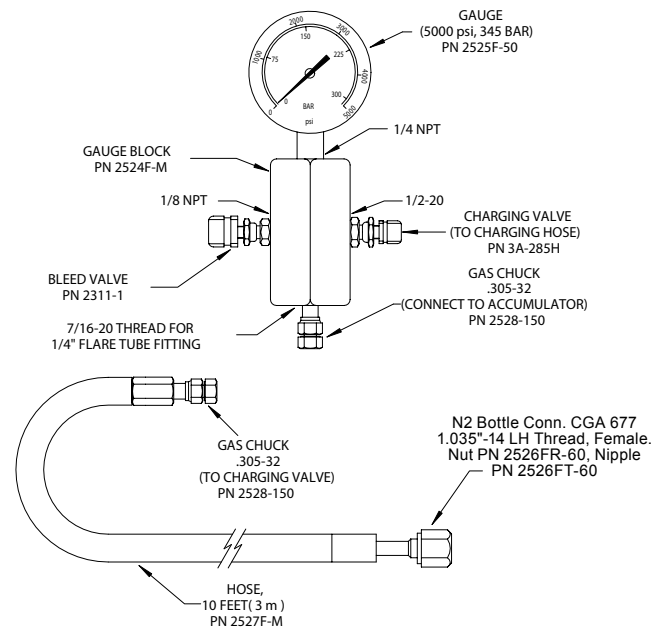
# Nitrogen Charging Assemblies

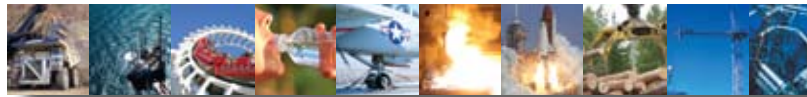
PART NUMBER	ITEM
G2525F-M	GAUGE ASSEMBLY
G2527F-M	CHARGING HOSE ASSEMBLY
GG2527F-M	COMPLETE CHARGING GAUGE & HOSE ASSEMBLY
GG2527F-M-C	COMPLETE CHARGING GAUGE & HOSE ASSEMBLY W/CASE

Specifications subject to change without notice



## 5,000 PSI (345 Bar)





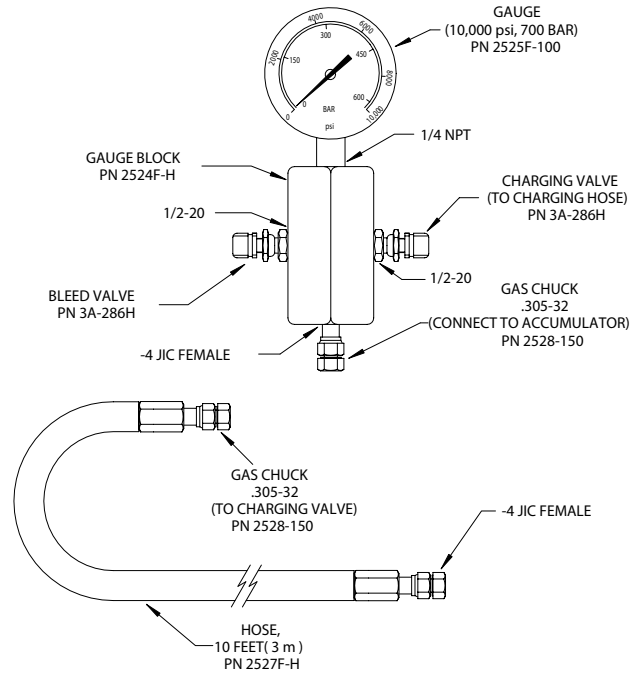
# Nitrogen Charging Assemblies

PART NUMBER	ITEM
G2525F-H	GAUGE ASSEMBLY
G2527F-H	CHARGING HOSE ASSEMBLY
GG2527F-H	COMPLETE CHARGING GAUGE & HOSE ASSEMBLY
GG2527F-H-C	COMPLETE CHARGING GAUGE & HOSE ASSEMBLY W/CASE

Specifications subject to change without notice



## 10,000 PSI (690 Bar)



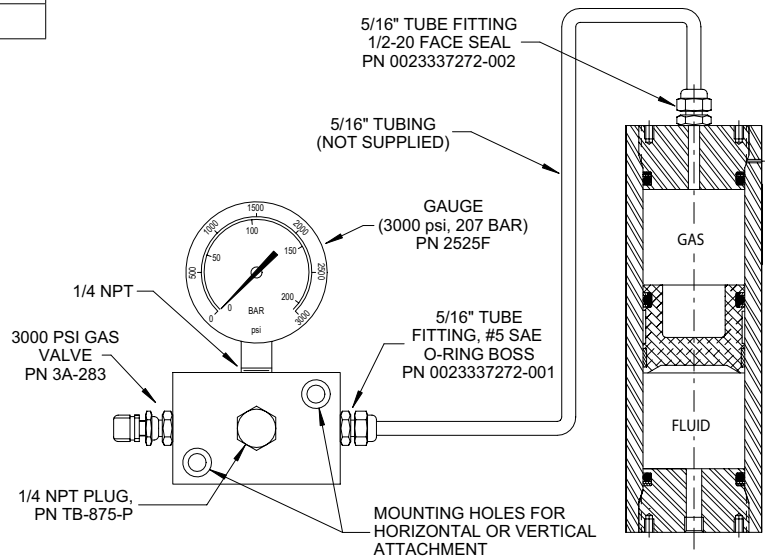
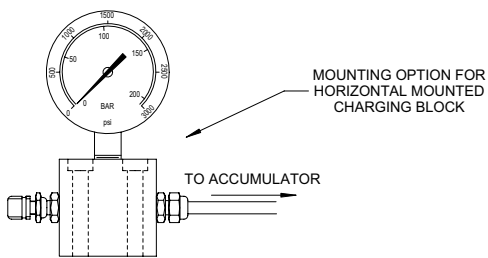
# Remote Nitrogen Charging Assemblies

## 3,000 PSI (207 Bar)

PART NUMBER	ITEM
G2526FB	REMOTE CHARGING BLOCK ASSEMBLY
G2526FBB	REMOTE CHARGING BLOCK ASSEMBLY, BLADDER

Use G2526FBB with bladder type accumulators; substitutes SAE-3 face seal fitting for 1/2-20 face seal

Specifications subject to change without notice

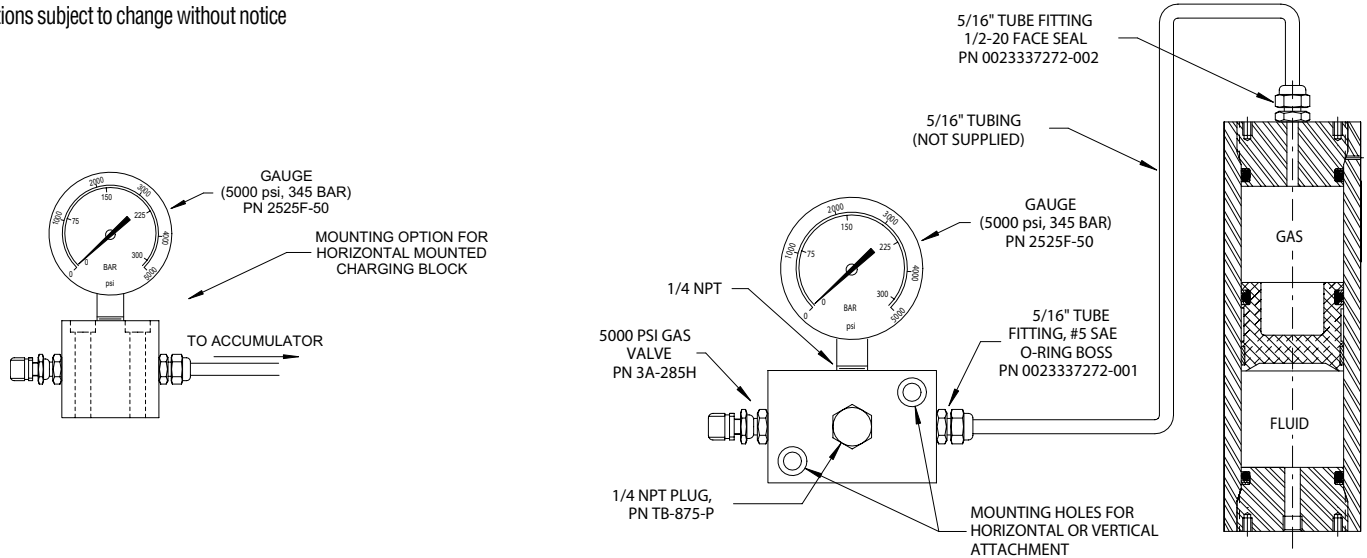


# Remote Nitrogen Charging Assemblies

**5,000 PSI (345 Bar)**

PART NUMBER	ITEM
G2526FB-M	REMOTE CHARGING BLOCK ASSEMBLY

Specifications subject to change without notice



# Remote Nitrogen Charging Assemblies

**10,000 PSI (690 Bar)**

PART NUMBER	ITEM
G2526FB-H	REMOTE CHARGING BLOCK ASSEMBLY

Specifications subject to change without notice

