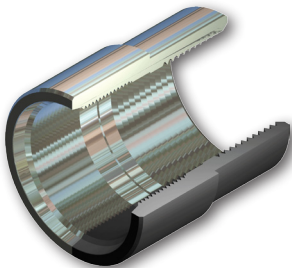


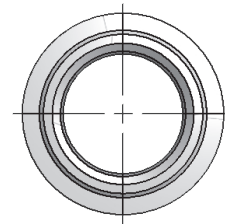
CSN DOWNLINE ADAPTER W/PILOT

Facilitates return lines to reservoir ~ Sizes from 3/8" to 2"

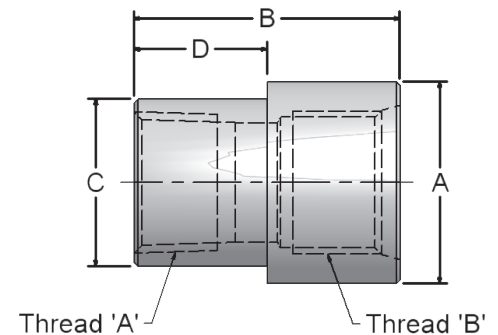


The **CSN** is the downline coupling with a difference - DMIC's original design with pilot facilitates tidy welding to the reservoir. Available with choice of internal and external threads. ISO6149 **CSN** adapters are offered to ease the transition for new power unit builders.

- Standard pilot for square placement on reservoir
- EZ-Weld material
- Made in U.S.A.



CSN		SAE Downline Dual Thread with Pilot					
Part Number		Port Size	Dimensions IN				Lbs
NPT-SAE	NPT-ISO-6149		A	B	C	D	
CSN-03N-03S	CSN-03N-03IU	3/8"	0.94	1.41	0.81	0.71	0.10
CSN-05N-05S	CSN-05N-05IU	1/2"	1.13	1.72	1.00	0.86	0.20
CSN-07N-07S	CSN-07N-07IU	3/4"	1.50	1.98	1.25	0.99	0.30
CSN-10N-10S	CSN-10N-10IU	1"	1.75	2.17	1.50	1.09	0.50
CSN-12N-12S	CSN-12N-12IU	1 1/4"	2.13	2.25	1.87	1.13	0.70
CSN-15N-15S	CSN-15N-15IU	1 1/2"	2.38	2.26	2.12	1.13	0.80
CSN-20N-20S	CSN-20N-20IU	2"	3.00	2.41	2.62	1.21	0.90



Ordering Codes

CSN - ** N - ** S - 1 1

Null	
Code	Description
	This code is always "1"

First Size Code	
Code	Port Size
03	3/8"
05	1/2"
07	3/4"
10	1"
12	1 1/4"
15	1 1/2"
20	2"

Thread - A	
Code	Description
N	NPT-F (standard)
S	SAE-F ORB
W4	Sch. 40 Socket Weld
B	BSPF-F
IU	ISO6149-F

Choose Adapter Size

Replace ** with the desired adapter size.

Two different size codes selects step size option.

Second Size Code	
Code	Port Size
03	3/8"
05	1/2"
07	3/4"
10	1"
12	1 1/4"
15	1 1/2"
20	2"

Thread - B	
Code	Description
S	SAE-F (standard)
IU	ISO6149-F
W4	Sch. 40 Socket Weld
N	NPT-F

Adapter Material	
Code	Description
1	Low Carbon Steel
2	Stainless Steel

Alternate Thread "A" Selection

Replace the "N" NPT-F standard internal connection with a choice from the "Internal Thread-A" table. Please call to confirm price and availability.

Alternate Thread "B" Selection

Replace the "S" SAE-F standard thread connection with a choice from the "External Thread-B" table. Please call to confirm price and availability.

Due to our policy of continual product improvement, the specifications in this catalog may change without notice. When designing by spec, please request a certified print.

