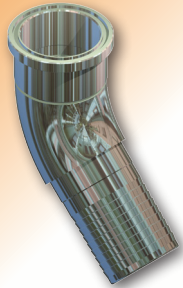


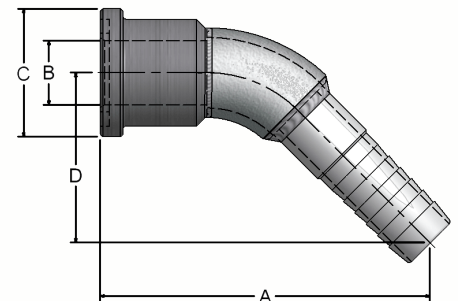
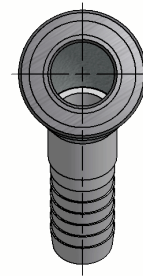
ESB BARB TO S/F HEAD 45°

A direct connection to your pump's inlet, with a gentle bend



The **ESB** 45° elbows are an elegant routing tool for specific pump to reservoir geometries. Quick order with a Split Flange Kit for a fast and easy solution.

- Standard SAE Flange Head mounts with C.61 Split Flange Kit to your pump's 4-Bolt Companion Pad
- Smooth bend radius aids laminar flow and reduces pressure drop
- Optional oversize barb allows designers to preserve nominal line ID even on the hose segment
- Made in U.S.A. for rapid delivery, even in Stainless Steel



ESB	Barb to Split Flange Head, 45° Elbow						
	Part Number	Port Size	Dimensions IN				Split Flange Kit
		A	B	C	D	Lbs	
ESB-07HB-07SM	¾"	3.86	0.75	1.50	1.99	0.60	FSL-0750SK
ESB-10HB-10SM	1"	3.86	1.00	1.75	1.99	0.90	FSL-1000SK
ESB-12HB-12SM	1¼"	4.52	1.25	2.00	2.50	1.20	FSL-1250SK
ESB-15HB-15SM	1½"	4.79	1.50	2.38	2.60	1.60	FSL-1500SK
ESB-20HB-20SM	2"	5.63	2.00	2.81	3.13	2.50	FSL-2000SK
ESB-25HB-25SM	2½"	7.05	2.50	3.31	3.75	4.30	FSL-2500SK
ESB-30HB-30SM	3"	8.06	3.00	4.00	4.32	6.40	FSL-3000SK
ESB-40HB-40SM	4"	9.35	4.00	5.00	5.12	9.60	FSL-4000SK

Ordering Codes

ESB - ** HB - ** SM - 1 1

Null	
Code	Description
This code is always "1"	

First Size Code	
Code	Port Size
07	¾"
10	1"
12	1¼"
15	1½"
20	2"
25	2½"
30	3"
40	4"
50	5" - Call
60	6" - Call

Hose Barb Side	
Code	Description
HB	Inch Barb (Standard)
HM	Metric Barb

Choose Adapter Size

Replace ** with the desired adapter size.

Two different size codes selects step size option.

Second Size Code	
Code	Port Size
07	¾"
10	1"
12	1¼"
15	1½"
20	2"
25	2½"
30	3"
40	4"
50	5" - Call
60	6" - Call

Split Flange Side	
Code	Description
SM	C.61 Split Flange Head

Adapter Material	
Code	Description
1	Low Carbon Steel
2	Stainless Steel

Metric Hose Barb Connection

Adapters supplied in metric market locales use metric-barb IDs. Please call to confirm price and availability.

Optional Split Flange Kit - Append /SFK

Express order a Split Flange Kit with your **ESB** adapter by appending the /SFK slash code. Includes 2 split flanges and bolt kit, which is added as a separate line item on your sales order.

Due to our policy of continual product improvement, the specifications in this catalog may change without notice. When designing by spec, please request a certified print.

