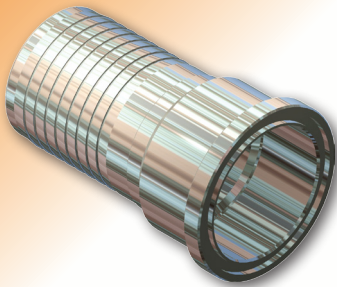


HBS BARB TO SPLIT FLANGE HEAD

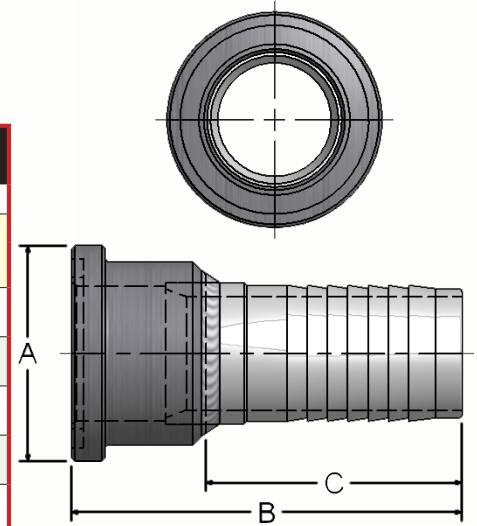
Terminate to hose with this O-Ring sealed "staple" adapter



The **HBS** connector ingeniously permits a reliable O-R sealed junction between the inlet hose and SAE 4-Bolt pad components. Designers can have O-Ring sealing and end-to-end, from reservoir to pump inlet, even with suction hose runs.

- Offered in all **SSW** to SAE J516 size possibilities, including step size and metric barb options
- Sizes to 6" nominal ID in SAE, ISO6149, BSP standard and expanded style connections
- Rapid-order a Split Flange Kit by adding suffix /SFK

HBS		Barb to SAE Split Flange Head, Inline				
Part Number	Port Size	Dimensions IN				Split Flange Kit
SAE		A	B	C	Lbs	
HBS-07HB-07SM	¾"	1.50	3.06	1.81	0.40	FSL-0750SK
HBS-10HB-10SM	1"	1.75	3.06	1.81	0.50	FSL-1000SK
HBS-12HB-12SM	1¼"	2.00	3.63	2.38	0.70	FSL-1250SK
HBS-15HB-15SM	1½"	2.38	3.63	2.38	0.90	FSL-1500SK
HBS-20HB-20SM	2"	2.81	4.07	2.81	1.30	FSL-2000SK
HBS-25HB-25SM	2½"	3.31	5.13	3.38	2.00	FSL-2500SK
HBS-30HB-30SM	3"	4.00	5.75	3.88	3.00	FSL-3000SK
HBS-40HB-40SM	4"	5.00	6.13	4.38	4.00	FSL-4000SK



Ordering Codes

HBS - ** **HB** - ** **SM** - 1 1

Null	
Code	Description
This code is always "1"	

First Size Code	
Code	Port Size
07	¾"
10	1"
12	1¼"
15	1½"
20	2"
25	2½"
30	3"
40	4"
50	5" - Call
60	6" - Call

Hose Barb Side	
Code	Description
HB	Inch Barb (Standard)
HM	Metric Barb

Choose Adapter Size

Replace ** with the desired adapter size.

Two different size codes selects step size option.

Second Size Code	
Code	Port Size
07	¾"
10	1"
12	1¼"
15	1½"
20	2"
25	2½"
30	3"
40	4"
50	5" - Call
60	6" - Call

Split Flange Side	
Code	Description
SM	C.61 Split Flange Head

Adapter Material	
Code	Description
1	Low Carbon Steel
2	Stainless Steel

Metric Hose Barb Connection

Adapters supplied in metric market locales use metric-barb IDs. Please call to confirm price and availability.

Optional Split Flange Kit - Append /SFK

Express order a Split Flange Kit with your **HBS** adapter by appending the /SFK slash code. Includes 2 split flanges and bolt kit, which is added as a separate line item on your sales order.

Due to our policy of continual product improvement, the specifications in this catalog may change without notice. When designing by spec, please request a certified print.

