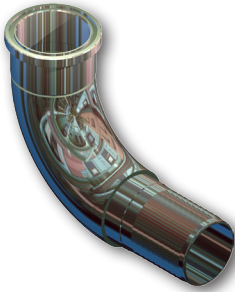


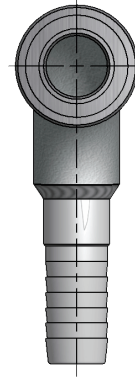
# SBE BARB TO S/F HEAD 90°

## Properly radiused adapter for tight access to pump inlets

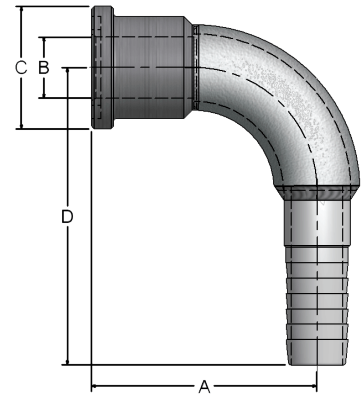


The **SBE** 90° split to barb elbows are typically used at the inlet of SAE Flange pumps to terminate a suction hose run. Rugged mechanical construction provides durability at a classic power unit weak point.

- Standard SAE Flange Head mounts with C.61 Split Flange Kit to your pump's 4-Bolt Companion Pad
- Smooth bend radius aids laminar flow and reduces pressure drop
- Optional oversize barb allows designers to preserve nominal line ID even on the hose segment



SBE	Barb to Split Flange, 90° Elbow							
	Part Number	Port Size	Dimensions IN				Lbs	Split Flange Kit
A			B	C	D			
	SBE-07HB-07SM	¾"	2.75	0.75	1.50	3.69	0.70	FSL-0750SK
	SBE-10HB-10SM	1"	2.75	1.00	1.75	3.69	1.10	FSL-1000SK
	SBE-12HB-12SM	1¼"	3.13	1.25	2.00	4.63	1.50	FSL-1250SK
	SBE-15HB-15SM	1½"	3.50	1.50	2.38	4.95	2.00	FSL-1500SK
	SBE-20HB-20SM	2"	4.25	2.00	2.81	6.19	3.20	FSL-2000SK
	SBE-25HB-25SM	2½"	5.50	2.50	3.31	7.50	5.70	FSL-2500SK
	SBE-30HB-30SM	3"	6.37	3.00	4.00	8.75	8.60	FSL-3000SK
	SBE-40HB-40SM	4"	7.75	4.00	5.00	10.75	13.80	FSL-4000SK



### Ordering Codes

**SBE** - **\*\*** **HB** - **\*\*** **SM** - **1** **1**

Null	
Code	Description
This code is always "1"	

First Size Code	
Code	Port Size
07	¾"
10	1"
12	1¼"
15	1½"
20	2"
25	2½"
30	3"
40	4"
50	5" - Call
60	6" - Call

Hose Barb Side	
Code	Description
HB	Inch Barb (Standard)
HM	Metric Barb

#### Choose Adapter Size

Replace \*\* with the desired adapter size.

Two different size codes selects step size option.

Second Size Code	
Code	Port Size
07	¾"
10	1"
12	1¼"
15	1½"
20	2"
25	2½"
30	3"
40	4"
50	5" - Call
60	6" - Call

Split Flange Side	
Code	Description
SM	C.61 Split Flange Head

Adapter Material	
Code	Description
1	Low Carbon Steel
2	Stainless Steel

#### Metric Hose Barb Connection

Adapters supplied in metric market locales use metric-barb IDs. Please call to confirm price and availability.

#### Optional Split Flange Kit - Append /SFK

Express order a Split Flange Kit with your **SBE** adapter by appending the **/SFK** slash code. Includes 2 split flanges and bolt kit, which is added as a separate line item on your sales order.

*Due to our policy of continual product improvement, the specifications in this catalog may change without notice. When designing by spec, please request a certified print.*

