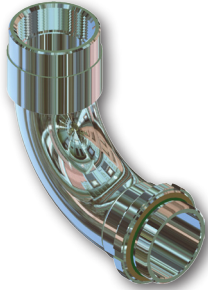


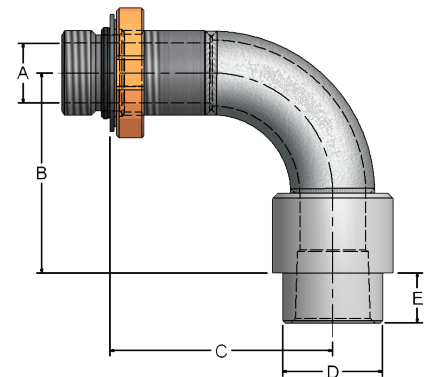
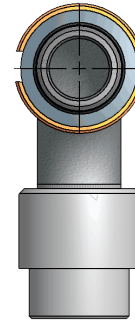
SNE INT-EXT THREAD SIMPLIFIER 90°

Three-in-one swivel elbow from reservoir to thread/socket weld



The **SNE** is ideal for esoteric placement of inlet valves in mechanically rigid flooded suction positions. Internal thread/socket weld allows mounting of strainer or baffle pipe. External thread with swivel feature permits perfect alignment of shutoff valve.

- Built-in pilot simplifies alignment to reservoir
- Standard and expanded SAE/6149/BSP ports
- Choice of thread or socket weld internal connection
- Available in Stainless Steel and with special sealing



SNE		Suction Line Simplifier, 90° Elbow, w/Internal Thread						
Part Number		Port Size	Dimensions IN					Lbs
Threaded Int.	Socket Weld		A	B	C	D	E	
SNE-07N-07**	SNE-07W4-07**	¾"	0.75	2.50	2.78	1.25	0.63	1.00
SNE-10N-10**	SNE-10W4-10**	1"	1.00	2.50	2.75	1.50	0.63	1.20
SNE-12N-12**	SNE-12W4-12**	1¼"	1.25	3.01	3.28	1.87	0.75	1.90
SNE-15N-15**	SNE-15W4-15**	1½"	1.50	3.38	3.68	2.12	0.75	2.4
SNE-20N-20**	SNE-20W4-20**	2"	2.00	4.13	4.38	2.62	0.88	3.9
SNE-25N-25**	SNE-25W4-25**	2½"	2.50	5.38	5.12	3.25	1.00	7.40
SNE-30N-30**	SNE-30W4-30**	3"	3.00	6.00	6.13	4.00	1.00	11.8
SNE-40N-40**	SNE-40W4-40**	4"	4.00	8.00	7.69	5.00	1.00	19.00

Ordering Codes

SNE - ** N - ** S - 1 1

First Size Code	
Code	Port Size
07	¾"
10	1"
12	1¼"
15	1½"
20	2"
25	2½"
30	3"
40	4"
50	5" - Call
60	6" - Call

Internal Conn - F	
Code	Description
N	NPT-F (standard)
S	SAE-F ORB
W4	Sch. 40 Socket Weld
B	BSPP-F
IU	ISO6149-F

Choose Adapter Size

Replace ** with the desired adapter size.

Two different size codes selects step size option.

Second Size Code	
Code	Port Size
07	¾"
10	1"
12	1¼"
15	1½"
20	2"
25	2½"
30	3"
40	4"
50	5" - Call
60	6" - Call

External Thread - M	
Code	Description
S	Swivel SAE-M ORB
IU	Swivel ISO6149-M
B	Swivel BSPP-M

O-Ring Elastomer	
Code	Description
1	Buna-N (standard)
2	Ethylene Propylene "EPR"
3	Viton

Adapter Material	
Code	Description
1	Low Carbon Steel
2	Stainless Steel

Alternate Internal Connection (Old SWE type)

Replace the "N" NPT-F standard internal connection with a **Sch. 40 Socket Weld** or other option from the "Internal Conn-F" table.

Alternate External Thread Standard

Replace the "S" SAE-M standard thread connection with a choice from the "External Thread-M" table. Please call to confirm price and availability.

Due to our policy of continual product improvement, the specifications in this catalog may change without notice. When designing by spec, please request a certified print.

