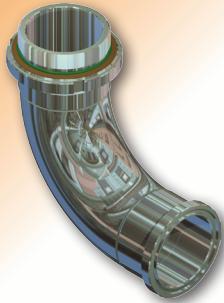


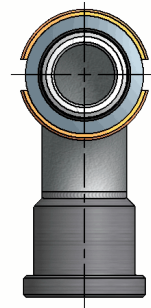
SSE SPLIT HEAD TO THREAD 90°

Convert SAE/ISO/BSP ports to Split Flange connection ~ 3/4"-6"

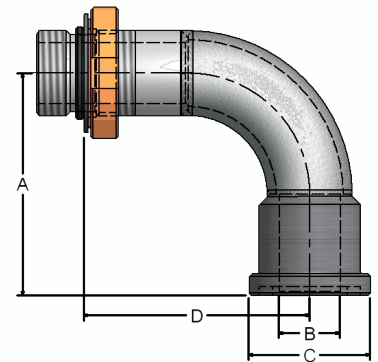


The **SSE** provides flexibility of design in O-Ring sealed power unit layout. Rigid mechanical mounting of suspended valves is made simple and repeatable.

- Standard and expanded SAE/ISO6149/BSP connections from 3/4"-6" size
- Engineered in tandem with DMIC **BVAL** valves, there is never a question of compatibility, tolerances, or fit
- Step size versions and stainless steel available
- Made in U.S.A.



SSE		C.61 Split Flange Head to Thread, 90° Elbow						
Part Number		Port Size	Dimensions IN				Lbs	Split Flange Kit
SAE	ISO-6149		A	B	C	D		
SSE-07SM-07S	SSE-07SM-07IU	3/4"	2.75	0.75	1.50	2.79	0.70	FSL-0750SK
SSE-10SM-10S	SSE-10SM-10IU	1"	2.75	1.00	1.75	2.78	1.10	FSL-1000SK
SSE-12SM-12S	SSE-12SM-12IU	1 1/4"	3.13	1.25	2.00	3.28	1.60	FSL-1250SK
SSE-15SM-15S	SSE-15SM-15IU	1 1/2"	3.50	1.50	2.38	3.68	2.10	FSL-1500SK
SSE-20SM-20S	SSE-20SM-20IU	2"	4.25	2.00	2.81	4.40	3.40	FSL-2000SK
SSE-25SM-25S	SSE-25SM-25IU	2 1/2"	5.50	2.50	3.31	5.21	5.90	FSL-2500SK
SSE-30SM-30S	SSE-30SM-30IU	3"	6.38	3.00	4.00	6.15	9.50	FSL-3000SK
SSE-40SM-40S	SSE-40SM-40IU	4"	7.75	4.00	5.00	7.65	14.70	FSL-4000SK



Ordering Codes

SSE - ** SM - ** S - 1 1

First Size Code	
Code	Port Size
07	3/4"
10	1"
12	1 1/4"
15	1 1/2"
20	2"
25	2 1/2"
30	3"
40	4"
50	5" - Call
60	6" - Call

Split Flange Side	
Code	Description
SM	C.61 Split Flange Head

Choose Adapter Size
Replace ** with the desired adapter size.

Two different size codes selects step size option.

Second Size Code	
Code	Port Size
07	3/4"
10	1"
12	1 1/4"
15	1 1/2"
20	2"
25	2 1/2"
30	3"
40	4"
50	5" - Call
60	6" - Call

Thread Side	
Code	Description
S	Swivel SAE-M ORB
IU	Swivel ISO6149-M
B	Swivel BSPP-M

Split Flange Connection

The SAE Split Flange Head is universal in imperial and metric markets. Please order a metric hardware kit where appropriate to your system. Express order a Split Flange Kit by appending suffix /SK.

Alternate Thread Standard

Replace the "S" SAE ORB standard thread connection with a choice from the "Thread Side" table. Please call to confirm price and availability.

O-Ring Elastomer	
Code	Description
1	Buna-N (standard)
2	Ethylene Propylene "EPR"
3	Viton

Adapter Material	
Code	Description
1	Low Carbon Steel
2	Stainless Steel

Due to our policy of continual product improvement, the specifications in this catalog may change without notice. When designing by spec, please request a certified print.

